

KQSN Series Double-Suction Pumps (Φ150 ~ Φ600 Caliber)

Application

For Handling Pure, Raw and Waste Water as well as Seawater in

- Water Works
- Irrigation and Drainage
- Pumping Stations
- Power Stations
- Industrial Water Supply
- Fire Fighting Systems
- Marine and Offshore Engineering
- General Applications in the Petrochemical Industry
- Seawater Desalination

Welcome to KaiQuan's website to learn more.

www.kaiquangroup.com



Company Profile

Shanghai Kaiquan Pump (Group) Co., Ltd. is a leading enterprise specializing in the design, production and sale of pumps, water-supply facilities and pump control equipment. Kaiquan boasts assets exceeding 2.5 billion yuan, with 7 enterprises and 5 industrial parks in Shanghai, Zhejiang, Hebei, Liaoning and Anhui, covering a total area of nearly 67 hectares, and a building area of 350,000 square meters for production.

For 12 consecutive years Kaiquan has achieved the highest volume of sales within China's domestic pump industry. The company's success has far outstripped that of its competitors, with Kaiquan's profits reaching 3 billion yuan in 2013 - twice that of the nearest competitor. The company's role as market leader of China's pump industry is reflected in the quality of its people. 80% of the group's 5,000 strong workforce are college graduates, and amongst them are more than 750 engineering technicians comprising some of China's best-known experts, professors and senior engineers.

Kaiquan's excellence in business and engineering has been recognised with the following accolades: Shanghai Quality Golden Prize, the fourth place in Top 100 Shanghai PVT Enterprise, Shanghai Top 100 Technical Enterprise, Grade AAA China Quality Credit, Grade AAA National Contract Credit, Excellent Enterprise in Quality, Creditability and Services, China's Most Competitive Commodity Trademark, and Advanced Unit of National Enterprise Cultural

Construction. In 2013, Kaiquan was selected as one of China's top 500 organisations in the mechanical industry for the third consecutive year, coming first place in the pump industry nationwide.

Dedication to excellent customer service is one of Kaiquan's core values. The group's 300 service-dedicated engineers provide comprehensive expert solutions for customers, and with the use of the latest technology, are able to respond highly efficiently to client requests. In addition, Kaiquan's extensive national service network, composed of 32 sales branch companies and 361 agencies – allows the company to execute its "Blue Fleet Services" programme - allowing experienced technicians to respond to customer requests at any time of day, within a turnaround time of just 4 hours. This attention to the needs and aspirations of customers has ensured Kaiquan's role as China's leading producer of competitive and reliable products within the pump industry.

Kaiquan's vision for the future is to expand the group's activities with the localized production of high-end pump products for application within a diverse range of fields and projects, such as those related to nuclear power, large-scale fire power, petrochemical engineering, military projects and sea water desalination. Shanghai Kaiquan seeks to become a world famous brand, and intends to become a multinational corporation and a top 10 contender in the global pump market.



Table of Contents

Product Overview.....	01
Scope of Application.....	01
Technical Parameters.....	01
Specification.....	01
KQSN Pump Structure Diagram and Features.....	02
KQSN-S Product Structure Diagram and Features.....	03
KQSN-W Product Structure Diagram and Features.....	04
Type Spectrum of Double Suction Pump KQSN.....	05
Installation Methods of KQSN Pumps.....	06
Material Selection Sheet for Main Parts and Supply Scope.....	08
Rotation Direction of KQSN Pumps.....	09
Performance Curve Description of KQSN Pumps and Ordering Instructions.....	10
KQSN150-M(N)4 Technical Data.....	11
KQSN150- M(N)6 Technical Data.....	13
KQSN150- M(N)7 Technical Data.....	15
KQSN200- M(N)4 Technical Data.....	17
KQSN200-M(N)5 Technical Data.....	19
KQSN200-M(N)6 Technical Data.....	21
KQSN200- M(N)8 Technical Data.....	23
KQSN200- M(N)9 Technical Data.....	25
KQSN200- M(N)12 Technical Data.....	27
KQSN250- M(N)4 Technical Data.....	29
KQSN250- M(N)6 Technical Data.....	31
KQSN250- M(N)9 Technical Data.....	33
KQSN300- M(N)3 Technical Data.....	35
KQSN300- M(N)4 Technical Data.....	37
KQSN300- M(N)6 Technical Data.....	39
KQSN300- M6W(J) Technical Data.....	41
KQSN300- M(N)9 Technical Data.....	43
KQSN300- M9W(J) Technical Data.....	45
KQSN300- M(N)13 Technical Data.....	47
KQSN300- M13W(J) Technical Data.....	49
KQSN300- M(N)19 Technical Data.....	51
KQSN300- M(N)27 Technical Data.....	53
KQSN350- M(N)4 Technical Data.....	55
KQSN350- M(N)6 Technical Data.....	57
KQSN350- M(N)9 Technical Data.....	59
KQSN350- M12S(J) Technical Data.....	61
KQSN350- M(N)13 Technical Data.....	63

KQSN350- M17S(J) Technical Data.....	65
KQSN350- M20S(J) Technical Data.....	67
KQSN350- M(N)27 Technical Data.....	69
KQSN400- M(N)4 Technical Data.....	71
KQSN400- M(N)6W Technical Data.....	73
KQSN400- M(N)9W Technical Data.....	75
KQSN400- M(N)13W Technical Data.....	77
KQSN400- M17S(J) Technical Data.....	79
KQSN400- M(N)19W Technical Data.....	81
KQSN450- M(N)6 Technical Data.....	83
KQSN450- M(N)8W Technical Data.....	85
KQSN450- M(N)12W Technical Data.....	87
KQSN500- M(N)6 Technical Data.....	89
KQSN500- M(N)6W Technical Data.....	91
KQSN500- M(N)9 Technical Data.....	93
KQSN500- M(N)11W Technical Data.....	95
KQSN500- M12S(J) Technical Data.....	97
KQSN500- M(N)13 Technical Data.....	99
KQSN500- M17S(J) Technical Data.....	101
KQSN500- M(N)19 Technical Data.....	103
KQSN500- M20S(J) Technical Data.....	105
KQSN500- M(N)28 Technical Data.....	107
KQSN600- M(N)6 Technical Data.....	109
KQSN600- M(N)8 Technical Data.....	111
KQSN600- M(N)9 Technical Data.....	113
KQSN600- M(N)10 Technical Data.....	115
KQSN600- M(N)10(J) Technical Data.....	117
KQSN600- M12S(J) Technical Data.....	119
KQSN600- M13(J) Technical Data.....	121
KQSN600- M(N)14 Technical Data.....	123
KQSN600- M17S(J) Technical Data.....	125
KQSN600- M(N)19 Technical Data.....	127
KQSN600- M20S(J) Technical Data.....	129
KQSN600- M(N)27 Technical Data.....	131
KQSN Flange Data.....	133
Comparative Table of Similar Domestic/Foreign Pump Models and KQSN-S/W Pumps.....	135
Reference Table of KQSN Spare Parts.....	136
Assurance, Testing and Quality Control.....	136

Product Overview

KQSN series single-stage double-suction horizontal split high-efficiency centrifugal pumps are new generation of double-suction pumps. The series incorporate energy conservation and efficiency boosting technology developed by Kaiquan, drawing from state of the art technologies similar products.

This new generation products, based on the most advanced CFD fluid mechanics calculation and computer-assisted design methodologies, demonstrate excellent hydraulic performance, high efficiency, strong energy conservation properties, provide a wide range of products for selection with excellent hydraulic performance, high efficiency, energy conservation, low pulse, low noise, robustness and durability, and easy maintenance. KQSN series pumps have achieved energy conservation evaluation by government standard GB19762 "The minimum allowable values of energy efficiency and evaluating values of energy conservation evaluation of centrifugal pump for fresh water".

The products have attained cutting-edge technology by sophisticated manufacturing processes and seamless quality control. Kaiquan has achieved ISO9001 quality certification to fully ensure product quality.

KQSN pumps are manufactured in conformity with ISO2548C, GB3216C and GB/T5657 standards.

Scope of Application

KQSN series high-efficiency double-suction centrifugal pumps are generally used to transport clean water without solid particles or other liquids with physical and chemical properties similar to water. The pumps are extremely versatile and can be installed for supplying water to tall buildings, fire protection of buildings, central air-conditioning water circulation; circulating water in engineering systems; cooling water circulation; boiler water supply; industrial water supply and discharge; and irrigation. The products are particularly applicable in the fields of water plants; paper mills; power plants; thermal power plants; steel plants; chemical plants; hydraulic engineering and the provision of water supply to irrigated areas. With corrosion-resistant or wear-resistant materials, for example SEBF materials or 1.4460 duplex stainless steel materials, the pumps can transport corrosive industrial waste water, sea water and rain water with slurries.

Technical Parameters

In terms of KQSN series, 107 models and 508 specifications are available to customers. Different impeller diameters, rotating speeds and many other performance conditions are optional (see the spectrum for details).

Rotating speed: 990, 1480 and 2960 r/min.

The pumps, with its flanges conforming to BS 4504, ISO 7005.1 DIN 2533. Inlet and outlet diameters are 150-600mm, with its flanges press GB/T17241.6, PN1.0 (Nominal head ≤ 75 m) and GB/T17241.6, PN1.6 (Nominal head > 75 m) standard.

Capacity Q: 68-6276m³/h

Head H: 9-306m

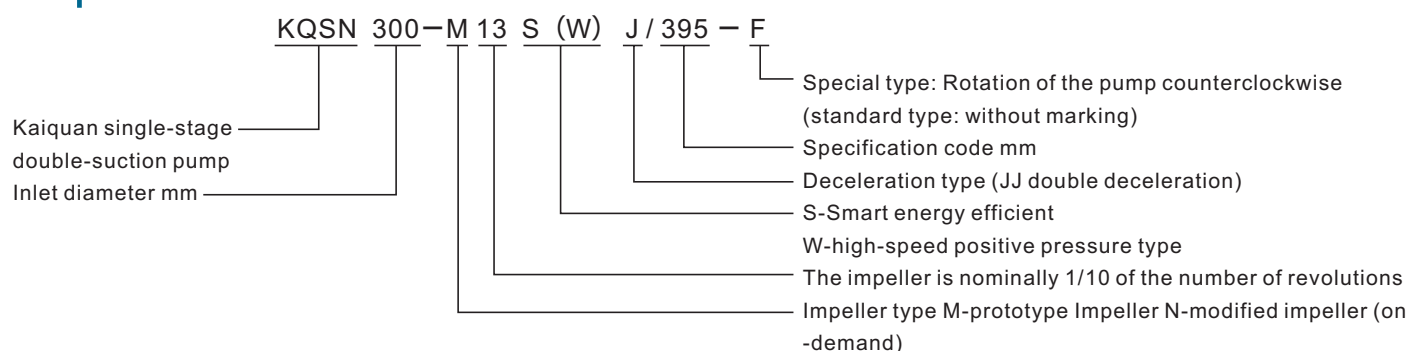
Temperature range: Maximum liquid temperature $\leq 80^{\circ}\text{C}$ (-120°C) Ambient temperature typically $\leq 40^{\circ}\text{C}$

Standard testing pressure: 1.2* (shutoff head + inlet pressure) or 1.5* (working point head + inlet pressure)

Permitted medium to be transported: clean water. Please contact us in case other liquids are used.

Sealing water pipe component: No mounting is allowed when inlet pressure ≥ 0.03 MPa.

Specification



KQSN Pump Structure Diagram and Features

Impeller

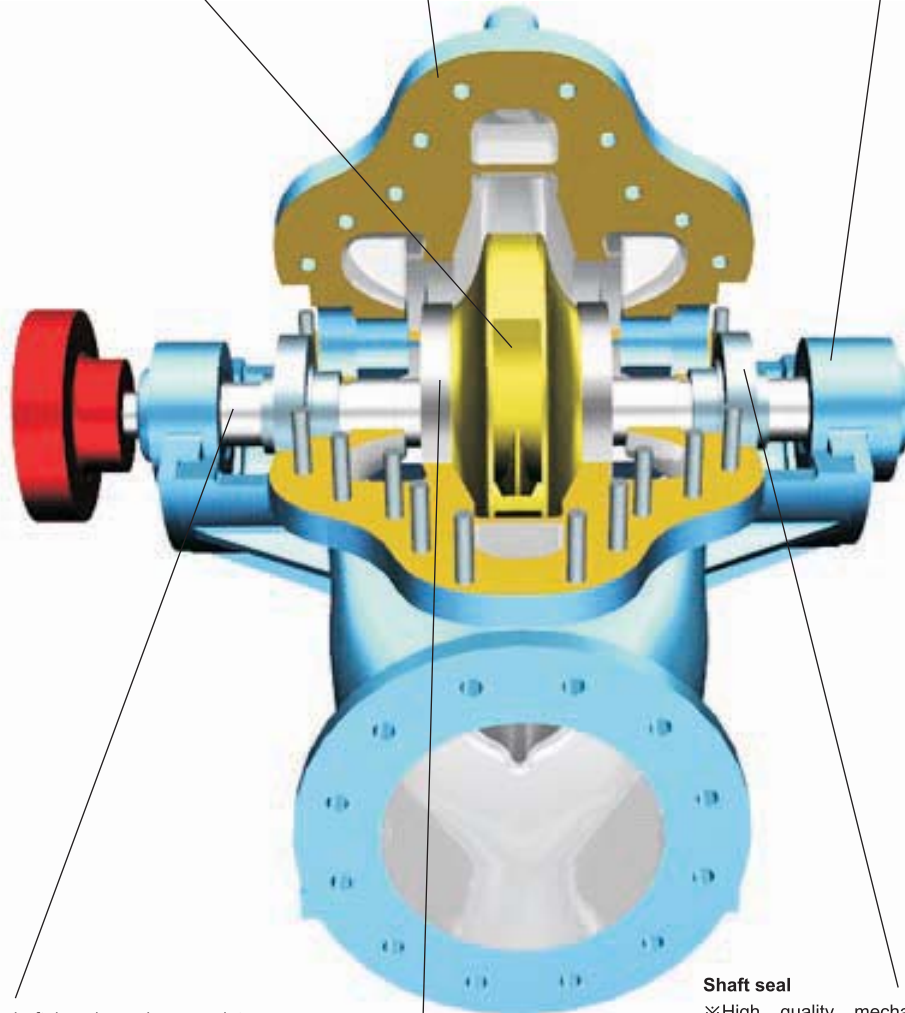
- ※Double suction impeller is used to minimize axial force
- ※Best hydraulic model of CAD optimization design with good performance
- ※A modified impeller can also be used to meet requirements under different conditions to improve efficiency.

Volute

- ※According to stress a double volute type is adopted to reduce radial force, ensuring limited bearing stress
- ※Easy to install. The pump cover can be automatically aligned.
- ※Relative position of inlet and outlet pipelines of motor and pump body can be adjusted according to the requirements of the user's site.
- ※There is no vortex at inlet. Operation is stable with low loss.

Bearing

- ※Rolling bearing which is lubricated by grease. Easy to maintain. Bearing is enlarged to have a long service life.
- ※End bearing is installed with bearing sleeve and key, which is fixed, reliable and easy to dismount.


Shaft

- ※The diameter of the shaft has been increased to provide greater rigidity and stable operation with a modern structure.
- ※There is no damage when the rotor rotates backward for a short term. It is also easy to change direction.
- ※Shaft is completely sealed and does not have contact with any liquid. It has anti-corrosion threads.
- ※Parts can ensure the installation size. There is no need to adjust the pump during installation.

Sealing ring

- ※The sealing ring, which can be replaced, protects pump body against wear and tear, decreases maintenance costs and keeps operations effective by adjusting appropriate clearance.

Shaft seal

- ※High quality mechanical seal without leakage. Mechanical seal shaft sleeve is made of stainless steel which is resistant to corrosion and is easily maintained.
- ※Asbestos-free soft packings which meet environmental requirements are used.
- ※Injection type of soft packing which has the function of on-line maintenance is used. There is no need to shut down for maintenance, which can avoid cost losses associated with stopping production. Friction power loss is low without leakage.

- ※The whole series can be equipped with a welded steel base which is extremely tough and impact resistant, as well as lightweight and durable.

KQSN-S Product Structure Diagram and Features

High performance indicator and extensive coverage

The products boast high efficiency, low cavitation, and an efficient working range. They surpass energy conservation standards, as well as products of other domestic manufactures in terms of general performance. Some types of the products even outperform international brands in terms of efficiency. The products can provide cavitation performance higher than the national standard. In addition, Kaiquan's products outnumber those of other major manufacturers on the market, with the company offering the most extensive parameters and product types in the China market.

Innovative design conception

Integrated 3D hydraulic structure achieved via hydraulic modelling, hydraulic optimization analysis, 3D structural design, and a 3D software virtual workshop. In addition to hydraulics, structure, mechanics and comprehensive analysis and calculation, the design also takes into account structural layout and high operational reliability.

Impeller

Adjustable impeller of staggered and twisted blades has been adopted with a U-type concave exit, which is characterized by a small hydraulic pulse, slight vibration and minimal impact loss so as to guarantee hydraulic efficiency.

Seal Ring

The seal ring with a widened structure has effectively reduced the high pressure water leaked from the high-pressure chamber to the low pressure suction chamber, thus the volume loss has been reduced, with volumetric efficiency guaranteed.

Pump Body

The pump body is of a half-central supporting structure originating from petrochemical pump design specification. This can withstand vibration and reduce noise, with stable and reliable operation guaranteed.

Pump Cover

The pump cover adopts a reinforcing envelope design, which exhibits strong pressure-bearing capacity.

Bearing Body

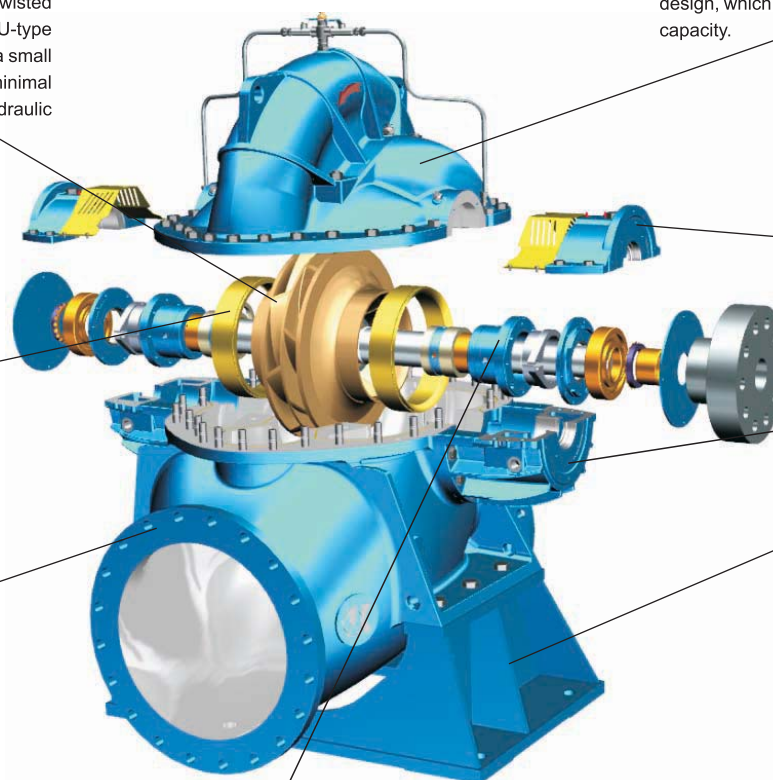
Reinforcing bearing body of upper and lower split-type can be universally lubricated with grease and thin oil, with a self-cooling structure adopted. Load bearing capacity has been doubled and dimensions are precise. It is easily maintained, dismantled & assembled.

Pedestal

Welded steel pedestal with concave supports exhibits strong resistance to impact and ductility, which can satisfy unit load requirements under various working conditions. It is easily installed and maintained. Vibration caused by defects such as sand inclusion, cavity shrinkage and cracks generated during base casting have effectively been avoided.

Shaft Sealing Parts

The packing and mechanical seal are of interchangeable structures, which reduces maintenance costs and shutdown losses. With the protecting cover of visualized mesh design, the operating status of the shaft seal can be easily viewed and injuries brought by unexpected accidents can be effectively avoided. In addition, the pump can be rain-proofed outdoors.



KQSN-W Product Structure Diagram and Features

Impeller

※ Inner flow field CFD calculation has been performed in combination with the most advanced Bladegen so as to make the fully enclosed impeller (precisely cast by bidirectional fluid pulse, which has been balanced hydraulically and dynamically) perfectly match the casing. Comparatively small turbulence and reflux can guarantee that the pump will exhibit efficient & stable performance and cuts down operation and maintenance costs.

Volute

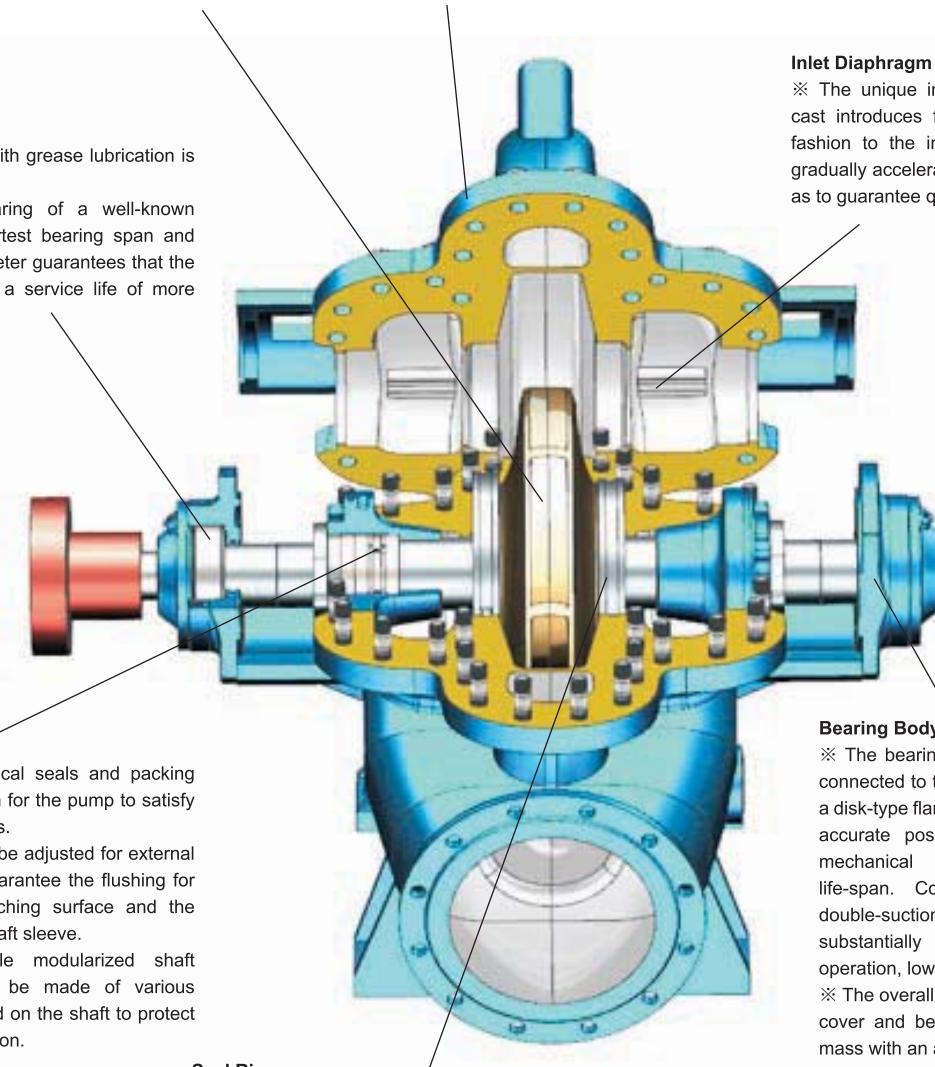
※ The precise geometric design of suction chamber & blade, and accurate analysis of flow field vortex have improved hydraulic efficiency and decreased the value of NPSHr.
 ※ Some of the medium-lift & high-lift pumps have adopted compensation-type double-casing volute design for the pump chamber, which has eliminated the radial force applied on the shaft, extended the service life of mechanical seal and bearing, and guaranteed smooth and quiet operation of the pump across the whole operating range.
 ※ With inner-stress analysis performed through CAE finite element, it has been verified that the pressure boundary can withstand pressure with a long service life.

Bearing

※ Rolling bearing with grease lubrication is easily maintained.
 ※ Heavy-duty bearing of a well-known brand with the shortest bearing span and enlarged shaft diameter guarantees that the bearing can exhibit a service life of more than 50,000 hours.

Inlet Diaphragm

※ The unique inlet diaphragm of monoblock cast introduces flow in a more concentrated fashion to the impeller inlet. Internal flow is gradually accelerated to suppress the vortex so as to guarantee quiet and smooth operation.


Shaft Seal

※ Various mechanical seals and packing seals can be chosen for the pump to satisfy the application needs.
 ※ The pipeline can be adjusted for external flushing so as to guarantee the flushing for the shaft seal matching surface and the lubrication for the shaft sleeve.
 ※ The replaceable modularized shaft sleeve, which can be made of various materials, is installed on the shaft to protect the shaft from abrasion.

Bearing Body

※ The bearing body of a unique design is connected to the pump body and cover with a disk-type flange, which has guaranteed the accurate positioning of the bearing and mechanical seal, and extended their life-span. Compared to the traditional double-suction pump, its rigidity has been substantially improved with smooth operation, low vibration and low noise.
 ※ The overall structure of pump body, pump cover and bearing parts is one integrated mass with an attractive design.

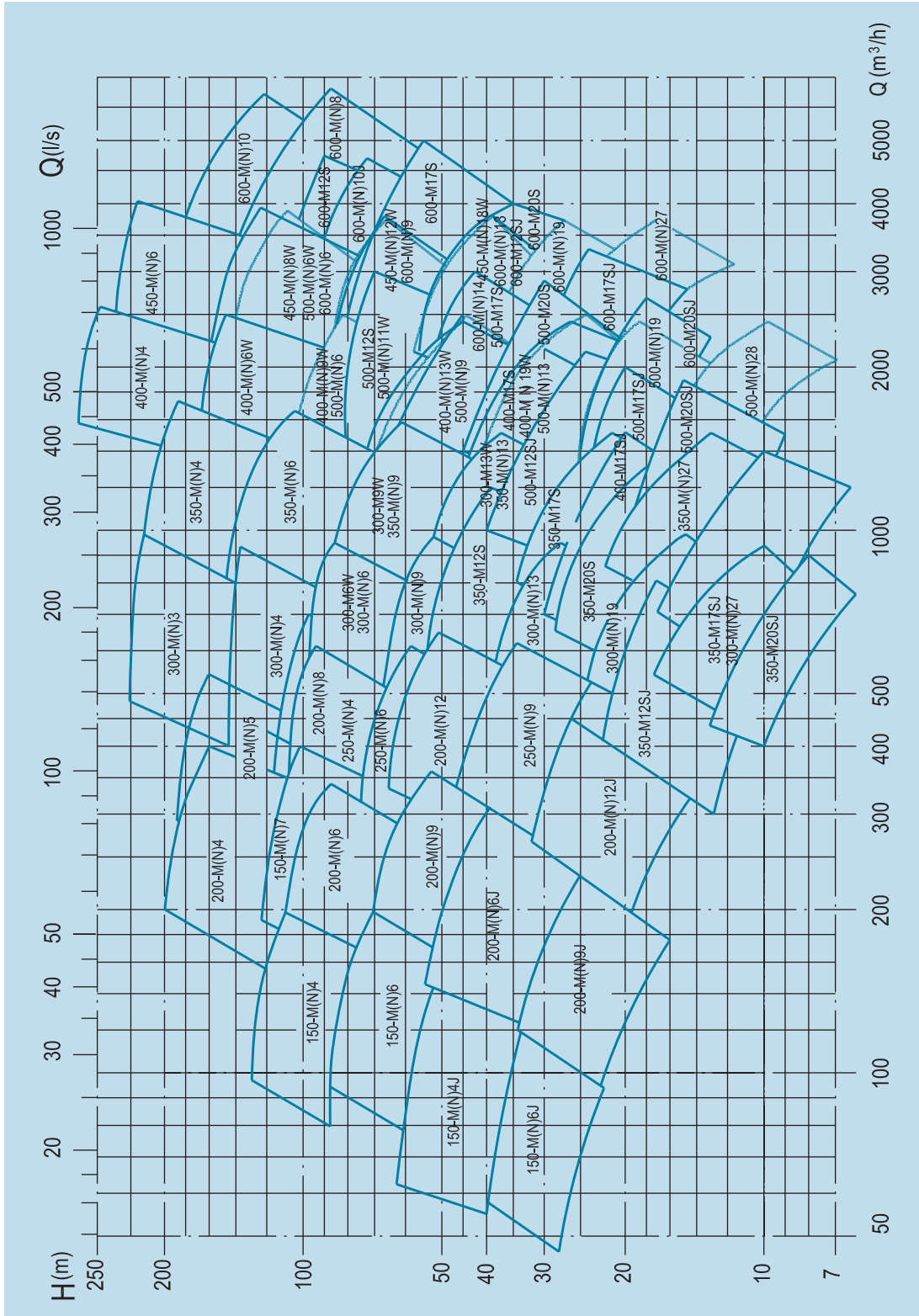
Seal Ring

※ The replaceable seal ring can protect the pump from abrasion. With simple adjustment for proper clearance, the maintenance cost can be reduced and efficient operation of the pump can be guaranteed.

The large water pump set can be installed directly onto a concrete foundation and ensures stable operation. (It is suggested to embed a separate iron plate for each anchor bolt for convenient maintenance and adjustment)

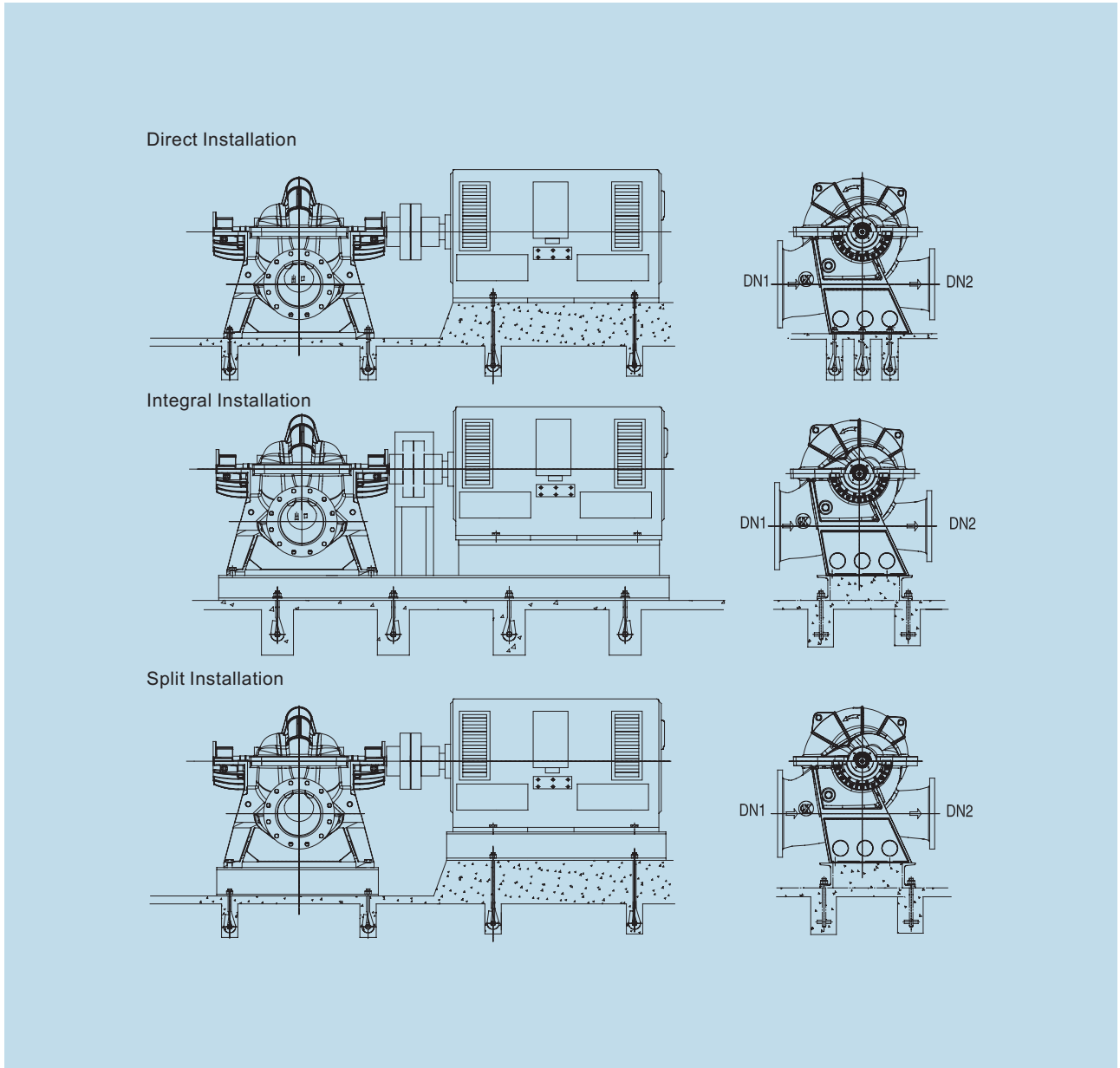
Type Spectrum of Double Suction Pump KQSN

Spectrum of double suction pump types KQSN-S/W



The performance parameters are suitable for medium with 1 kg/dm³ density and viscosity less than 20mm²/s

Installation Methods of KQSN Pumps



Models of KQSN structure			
KQSN150-M(N) 4	KQSN150-M(N) 6	KQSN150-M(N) 7	KQSN200-M(N) 4
KQSN200-M(N) 5	KQSN200-M(N) 6	KQSN200-M(N) 8	KQSN200-M(N) 9
KQSN200-M(N) 12	KQSN250-M(N) 4	KQSN250-M(N) 6	KQSN250-M(N) 9
KQSN300-M(N) 3	KQSN300-M(N) 4	KQSN300-M(N) 6	KQSN300-M(N) 9
KQSN300-M(N) 13	KQSN300-M(N) 19	KQSN300-M(N) 27	KQSN350-M(N) 4
KQSN350-M(N) 6	KQSN350-M(N) 9	KQSN350-M(N) 13	KQSN350-M(N) 27
KQSN400-M(N) 4	KQSN450-M(N) 6	KQSN500-M(N) 6	KQSN500-M(N) 9
KQSN500-M(N) 19	KQSN500-M(N) 28	KQSN600-M(N) 6	KQSN600-M(N) 8
KQSN600-M(N) 9	KQSN600-M(N) 10	KQSN600-M(N) 13	KQSN600-M(N) 14
KQSN600-M(N) 19	KQSN600-M(N) 27		
Models of KQSN-S structure			
KQSN350-M12S(J)	KQSN350-M17S(J)	KQSN350-M20S(J)	KQSN400-M17S(J)
KQSN500-M12S(J)	KQSN500-M17S(J)	KQSN500-M20S(J)	KQSN600-M12S(J)
KQSN600-M17S(J)	KQSN600-M20S(J)		
Models of KQSN-W structure			
KQSN300-M6W(J)	KQSN300-M9W(J)	KQSN300-M13W(J)	KQSN400-M(N) 6W
KQSN400-M(N) 9W	KQSN400-M(N) 13W	KQSN400-M(N) 19W	KQSN450-M(N) 8W
KQSN450-M(N) 12W	KQSN450-M(N) 18W	KQSN500-M(N) 6W	KQSN500-M(N) 11W

Material Selection Sheet For Main Parts and Supply Scope

Part Description	Material Designation and Combination					
	A	B	C	D	E	F
Pump body	HT250/QT400-18/ZG230-450/300				HT250(Ni)+SEBF Spraying	1.4460 (Cast iron)
Pump cover	HT250/QT400-18/ZG230-450/300				HT250(Ni)+SEBF Spraying	1.4460 (Cast iron)
Impeller	Part HT250/ QT400-18	ZG230-450/ 2Cr13	300/ ZCuSn5Pb5Zn5	300/ 1.4460 (Cast iron)	300/1.4460 (Cast iron)	1.4460 (Cast iron)
Shaft	2Cr13	2Cr13	2Cr13	2Cr13	2Cr13	1.4462
Double-suction seal ring	HT250/ QT400-18	ZG230-450/ 2Cr13	300/ ZCuSn5Pb5Zn5	300/ 1.4460 (Cast iron)	300/ 1.4460 (Cast iron)	1.4460 (Cast iron)
Shaft sleeve	KQSN Series 2Cr13 KQSN-S/ W Series 304	2Cr13/300	2Cr13/300	1.4460 (Cast iron)	1.4460 (Cast iron)	1.4460 (Cast iron)
Mechanical seal gland	HT	HT/304	HT/304	HT/304	304	304
Packing gland	HT	HT/304	HT/304	HT/304	304	304
Stuffing box	HT250	HT250/ QT400-18	ZG230-450	304	304	304
Shaft sleeve nut	45/2Cr13/300	45/2Cr13/300	45/2Cr13/300	2Cr13/300	2Cr13/300	2Cr13/300
Key	45	45	45	2Cr13	2Cr13	2Cr13

Note: If the materials of selected parts are not in the above list, please contact our company for advice and negotiation.

Supply scope

Pump, without coupling, horizontal structure, only has primer coating, packing seal or mechanical seal.

Charging items -Thin oil lubrication shaft pad, -coating/finish applicable to drinking water,

-Common baseplate for horizontal pump and motor, -complete set of motors

-Material test, -coupling and its guard

-Pressure gauge, -cyclone separator and pipelines

-Exhaust valve, -bearing temperature detecting device (PT100)

Please specify main part materials when placing an order. If there are any special requirements for the pump and motor, please contact our company for the relevant technical requirement consultation.

Attachment (extra charge)

Vibration measure instrument

One set, sealed pipeline with a cyclone separator (to treat contaminated liquid)

Including -Cyclone separator (stainless steel), -flow meter (stainless steel).

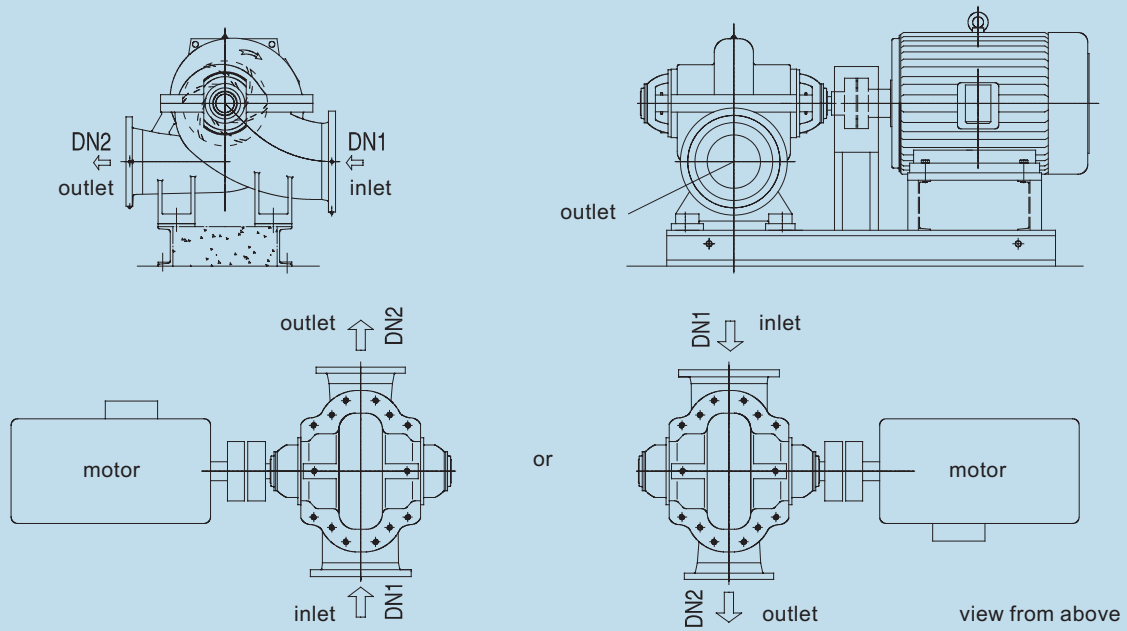
-Check valve (stainless steel), -connector and pipe (stainless steel)

Manual exhaust valve (stainless steel)

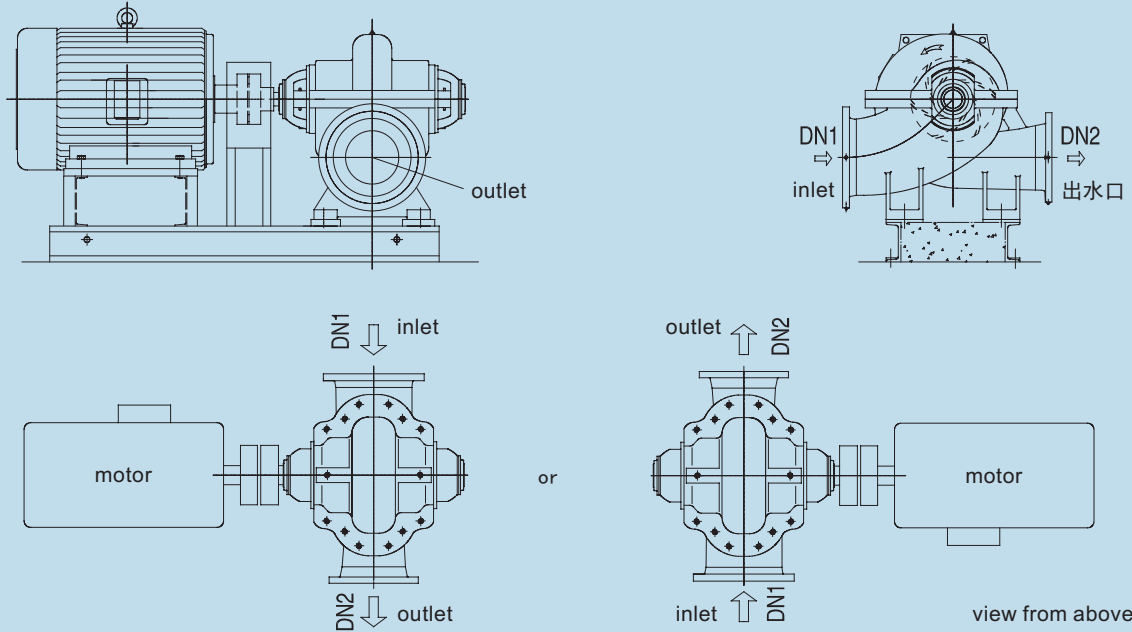
Including -connector

Rotation Direction of KQSN Pumps

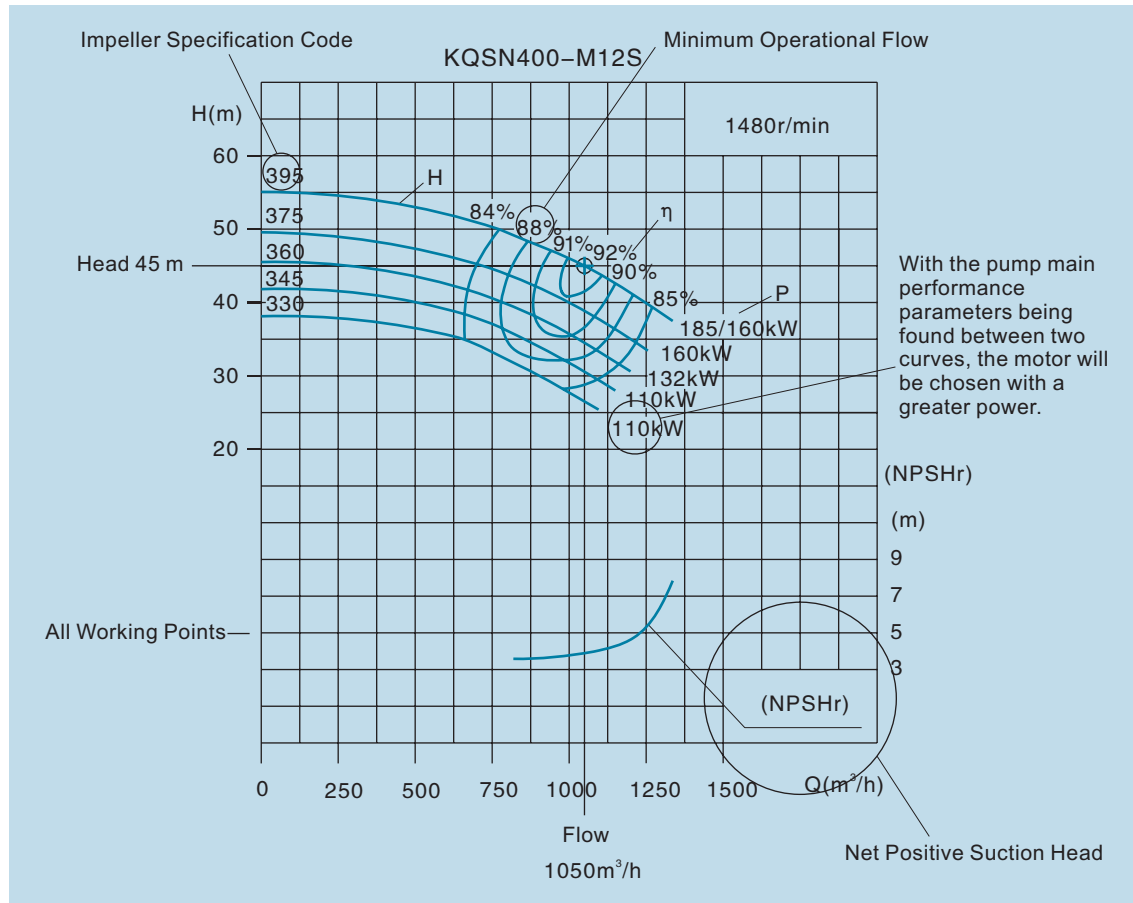
Standard Model (from the drive end to the side of the pump, the rotation direction is clockwise)



F: Special Type (from the drive end to the side of the pump, the rotation direction is anti-clockwise)



Performance Curve Description of KQSN Pumps and Ordering Instructions



Ordering Instructions

Pump: Various parameters related to the significance of pump model selection

- flow, - head, - combination of materials, - flange structure
- seal form, packing seal (soft packing) or mechanical seal;
- grease bearing or oil lubricated bearing
- direction of rotation and motor location
- required accessories, - quantity of operating instruction manuals

Motor: (can be independently chosen by Kaiquan or chosen according to the strict requirements of contracts)

- structure, - voltage, power, frequency, starting mode
- protection level, - environmental temperature, - isolation grade, - required accessories
- provision of auxiliary motor installation dimensions and technical parameters according to the contract.

Assembly unit:

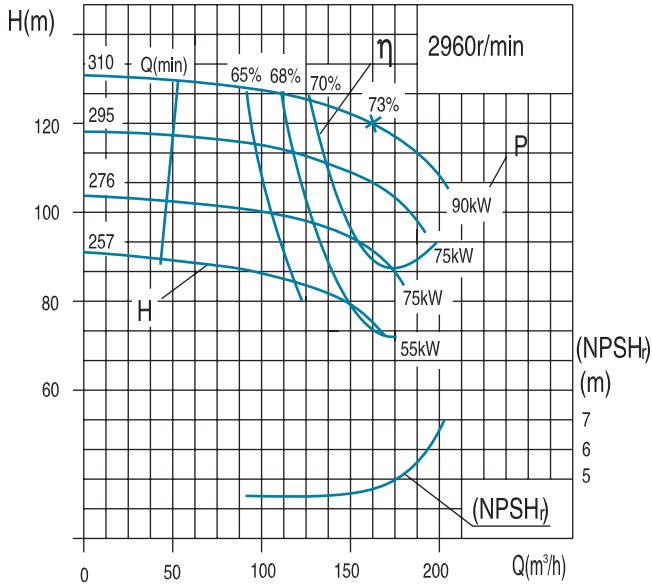
- base form (foundation, separate base or common base)
- anchor bolts

Description of pump model selection

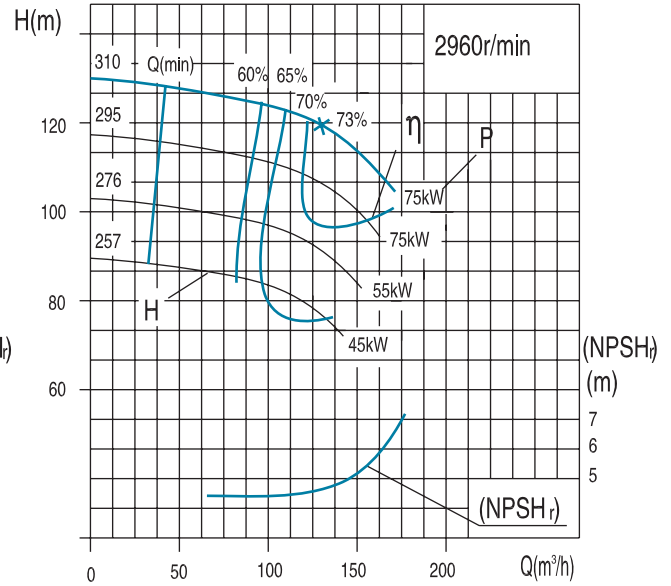
- 1) After placing an order for pumps, customers will be provided with extensive information on performance curves and other necessary technical data; all the technical information presented in the product catalogues reflect working parameters at typical points; during the pump model selection Shanghai Kaiquan will apply all of the customer's requirements of flow and head at the working point so as to choose the right model of its products.
- 2) When performance parameters of several models are the same, the preference will be given to the model with the standard impeller (M type) and high speed.
- 3) Working area of high flow and low head, power of the equipped motor will be calculated according to conditions and its power reduction will be suggested.
- 4) Whenever there are requests for special pump models that are not presented in product catalogues or there is a need for more specific technical information on any pump model presented in the catalogues, please, directly contact Kaiquan Technical Support Center for more details.

KQSN150- M(N)4 Technical Data

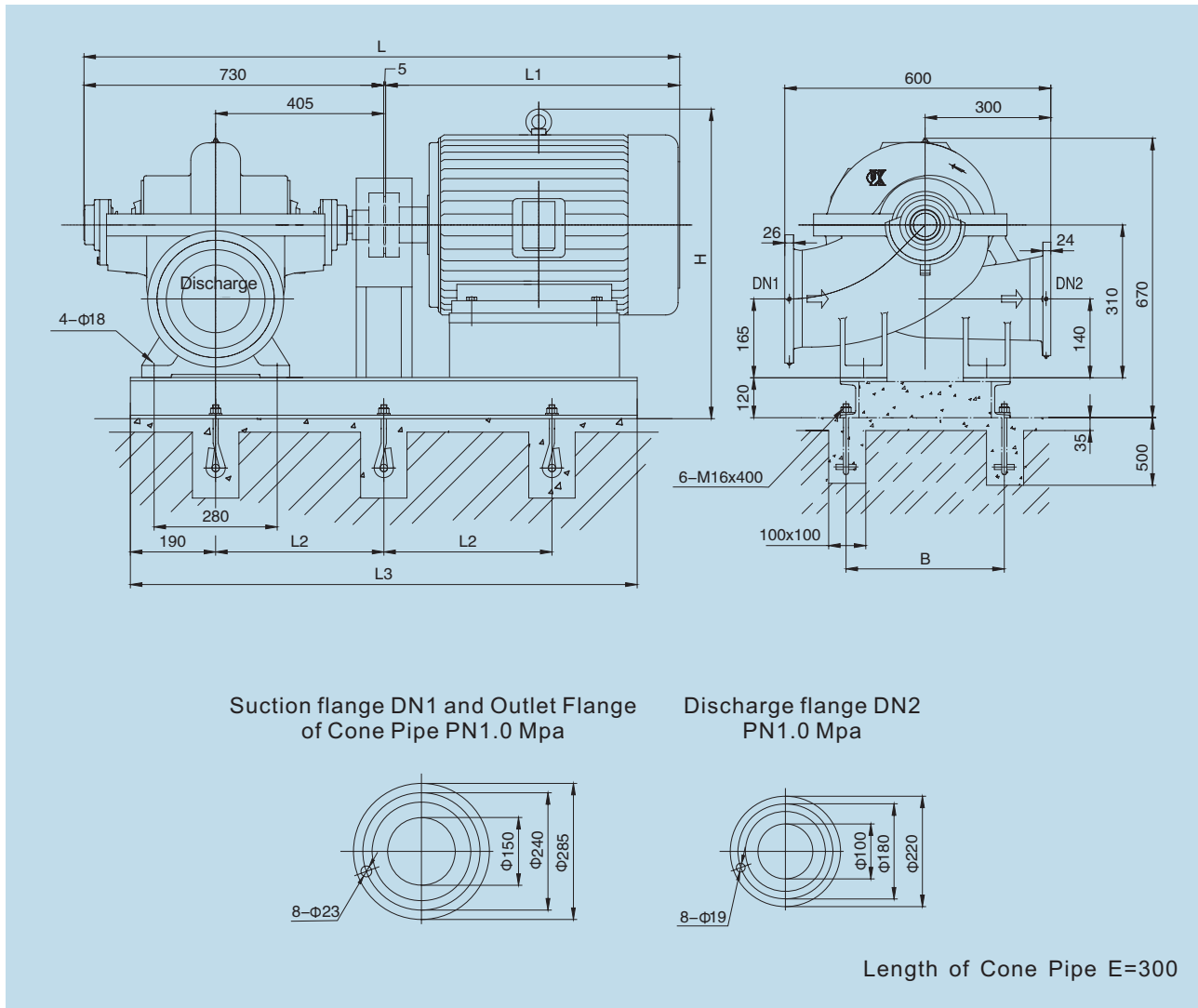
KQSN150-M4



KQSN150-N4



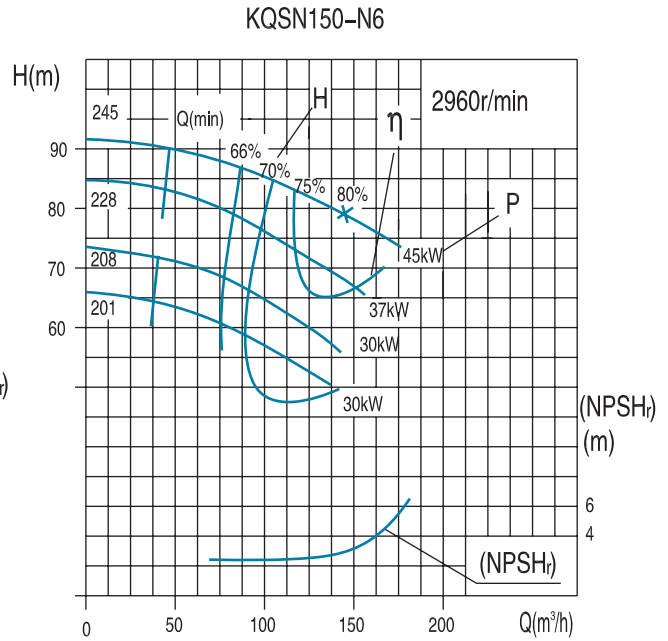
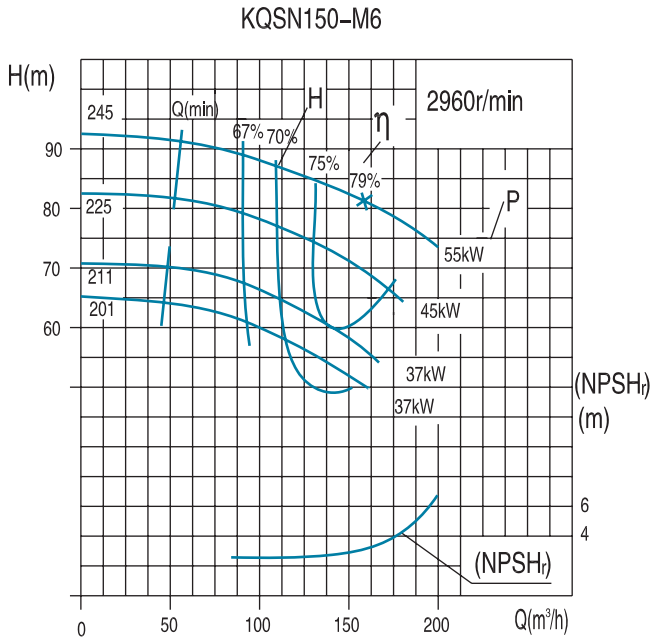
Model	Standard (mm)	Capacity		Head (m)	Speed (r/min)	Power(kW)		Efficiency %	(NPSH) _r (m)	Weight (kg)
		(m ³ /h)	(l/s)			Shaft Power	Moter Power			
KQSN150-M4	310	96	26.7	127	2960	51.0	90	65	4.5	208
		160	44.4	120		71.6		73		
		202	56.1	108		82.5		72		
	295	91	25.3	114	2960	45.1	75	63	4.4	206
		152	42.2	108		62.3		72		
	276	85	23.7	100	2960	38.3	75	61	4.3	204
		142	39.6	95		52.0		71		
	257	80	22.1	87	2960	32.1	55	59	4.2	202
131		36.4	83	42.2		70				
169		46.9	74	51.9		66				
KQSN150-N4	310	81	22.6	123	2960	46.6	75	59	4.5	206
		131	36.4	116		56.8		73		
		171	47.6	106		69.3		71		
	295	77	21.5	111	2960	41.3	75	57	4.4	204
		124	34.6	105		49.3		72		
	276	72	20.1	97	2960	35.2	55	55	4.3	203
		117	32.4	92		41.1		71		
	257	68	18.8	85	2960	29.7	45	53	4.2	202
109		30.2	80	33.8		70				
142		39.5	73	43.3		65				



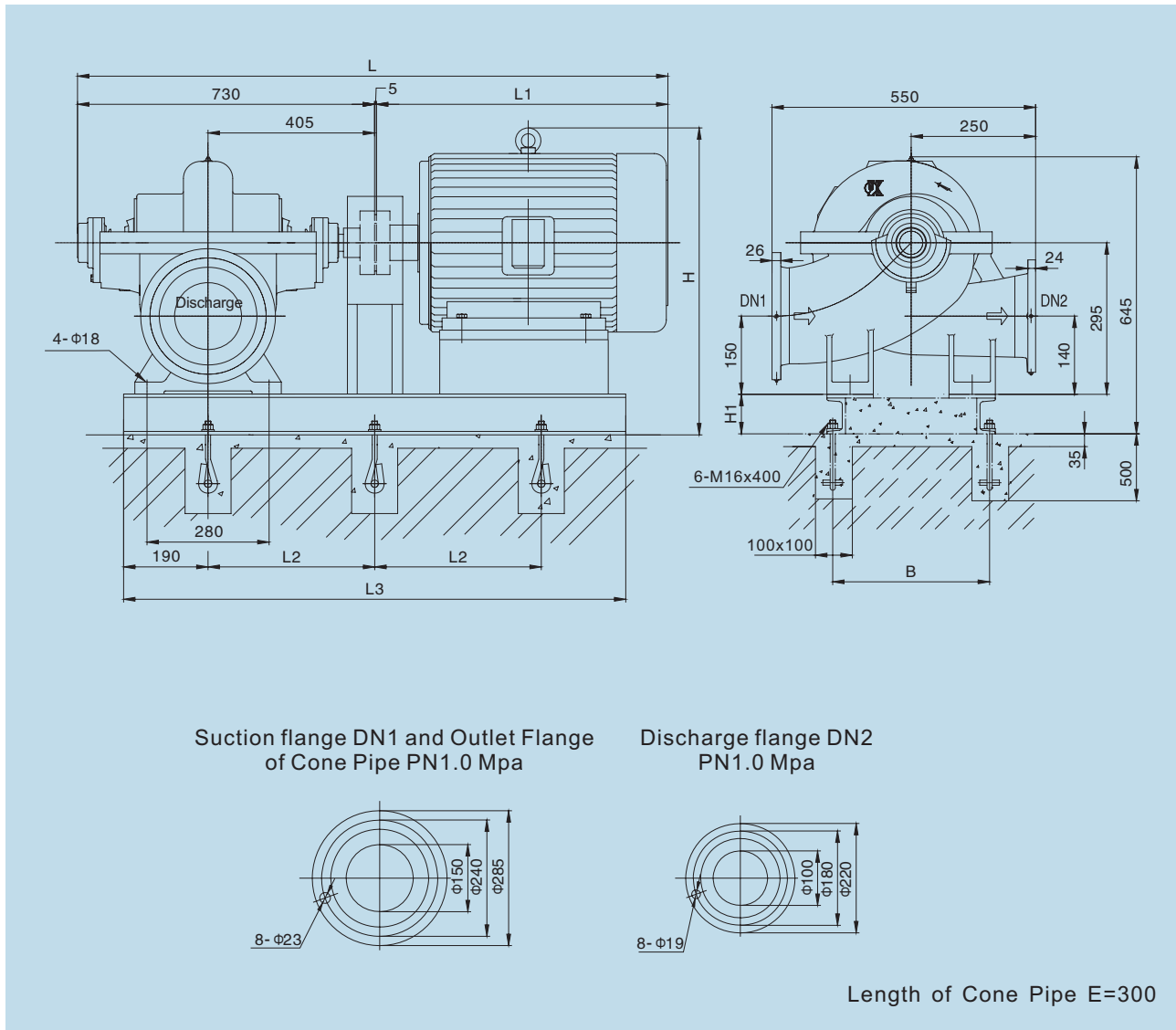
Model	Motor				Dimension (mm)						Weight (kg)	
	Model	Voltage	Class	Power (kW)	L	L1	L2	L3	B	H	Motor	Baseplate
KQSN150-M4/N4	Y280M-2	380	III/II	90	1785	1050	535	1450	500	790	540	192
	Y280S-2	380	III/II	75	1735	1000	510	1400	500	790	510	190
	Y250M-2	380	III/II	55	1665	930	475	1330	450	755	380	188
	Y225M-2	380	III/II	45	1550	815	425	1230	400	735	297	184

注：防护式 I、II、III 分别代表 IP23、IP44、IP54。

KQSN150- M(N)6 Technical Data



Model	Standard (mm)	Capacity		Head (m)	Speed (r/min)	Power(kW)		Efficiency %	(NPSH) _r (m)	Weight (kg)
		(m ³ /h)	(l/s)			Shaft Power	Motor Power			
KQSN150-M6	245	101	28.0	90	2960	37.4	55	66	3.7	188
		168	46.7	83		48.1		79		
		202	56.0	75		54.2		76		
	225	88	24.5	75	2960	28.2	45	64	3.6	185
		155	42.9	70		37.9		78		
		182	50.6	60		40.0		74		
	211	89	24.8	66	2960	25.7	37	62	3.5	182
		144	40.1	61		31.4		77		
201	201	90	25.1	60	2960	24.4	37	60	3.4	179
		138	38.3	56		27.5		76		
		184	51.2	47		34.0		70		
KQSN150-N6	245	87	24.2	87	2960	34.7	45	59	3.5	185
		145	40.3	78		38.5		80		
		174	48.3	74		45.2		77		
	228	81	22.5	75	2960	28.9	37	57	3.4	182
		135	37.5	67		31.4		79		
		162	45.0	64		36.9		76		
	208	74	20.5	63	2960	22.9	30	55	3.3	179
		123	34.2	56		24.3		78		
201	201	71	19.8	59	2960	21.3	30	53	3.2	176
		119	33.0	52		22.1		77		
		143	39.6	49		26.7		72		

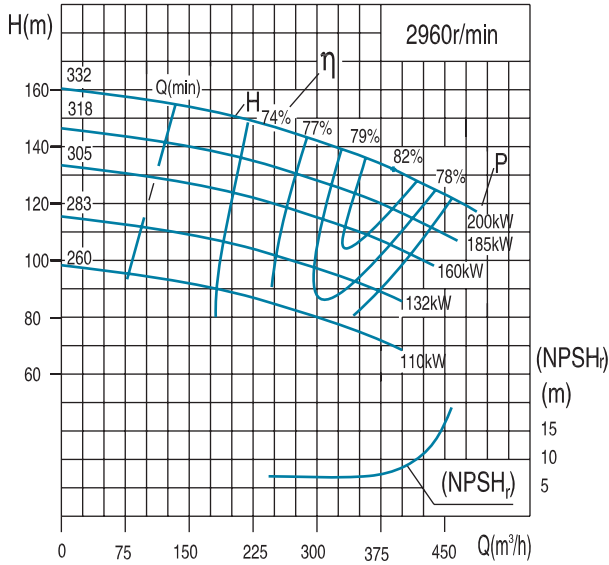


Model	Motor				Dimension (mm)							Weight (kg)	
	Model	Voltage	Class	Power (kW)	L	L1	L2	L3	B	H	H1	Motor	Baseplate
KQSN150-M6/N6	Y250M-2	380	III/II	55	1665	930	475	1330	450	740	120	380	158
	Y225M-2	380	III/II	45	1550	815	425	1230	400	720	120	297	156
	Y200L ₂ -2	380	III/II	37	1510	775	410	1200	350	670	100	239	154
	Y200L ₁ -2	380	III/II	30	1510	775	410	1200	350	670	100	220	154

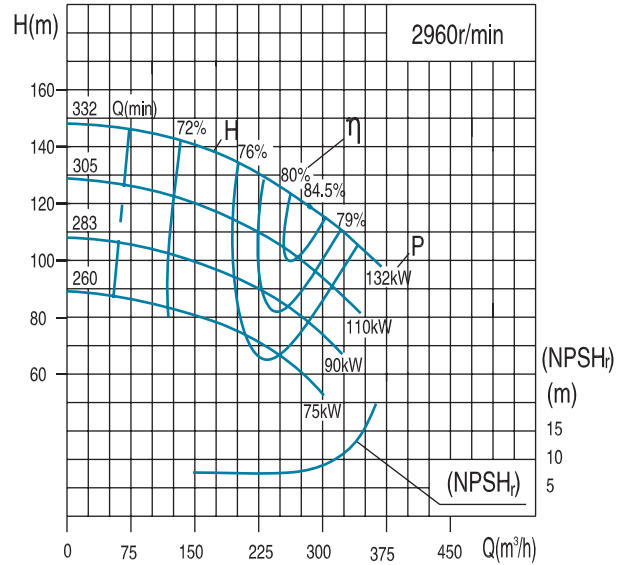
Note: Protection Class I, II, III respectively represent IP23, IP44, IP 54

KQSN150- M(N)7 Technical Data

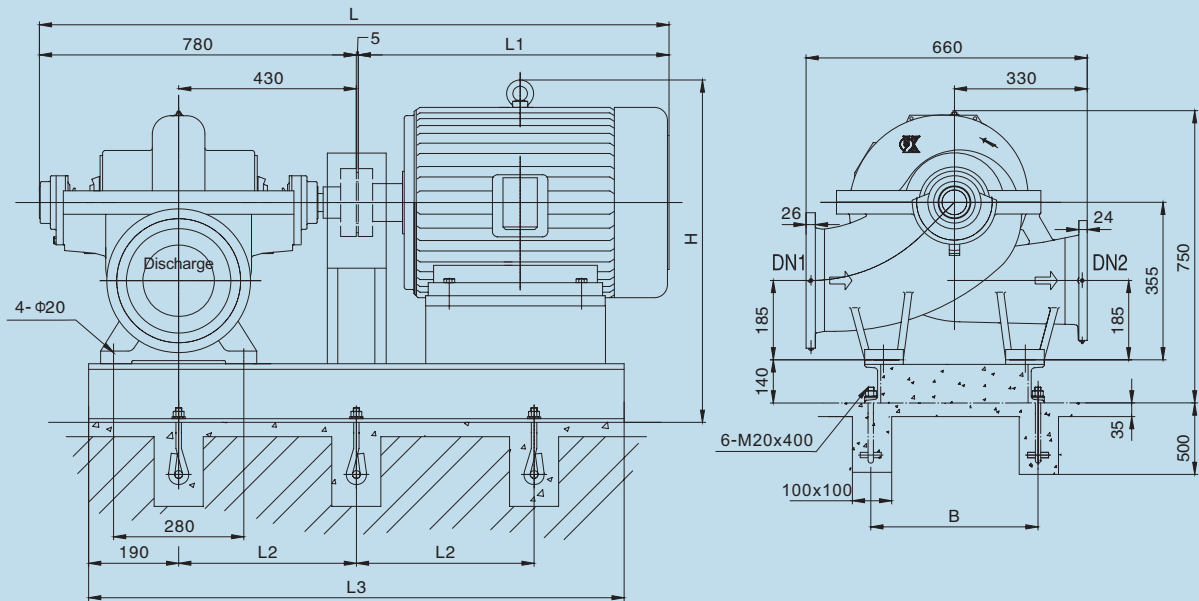
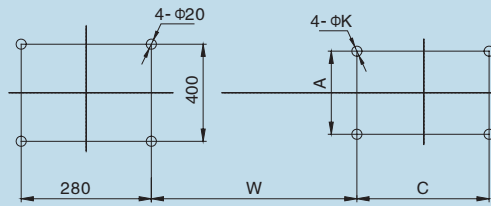
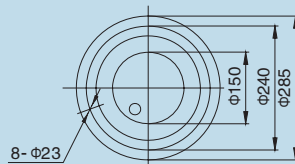
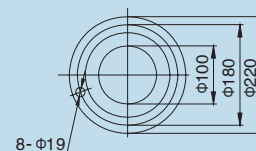
KQSN150-M7



KQSN150-N7



Model	standards (mm)	Capacity		Head (m)	Speed (r/min)	Power(kW)		Efficiency %	(NPSH)r (m)	Weight (kg)
		(m³/h)	(l/s)			Shaft Power	Moter Power			
KQSN150-M7	332	234	65.0	146	2960	122.4	200	76.0	7.2	234
		390	108.3	132		171.0		82.0		
		468	130.0	108		174.2		79		
	318	224	62.3	135	2960	108.4	185	76	7.0	233
		374	103.8	121		152.1		81		
	305	215	59.7	120	2960	96.2	160	73.0	6.8	232
		358	99.5	111		135.9		80		
		430	119.4	85		129.3		77.0		
	283	199	55.4	104	2960	76.3	132	74.0	6.6	231
		332	92.3	96		109.9		79.0		
399		110.8	74	103.1		78				
260	183	50.9	88	2960	58.6	110	75.0	6.4	230	
	305	84.8	81		86.3		78.0			
	367	101.8	64		83.0		77			
KQSN150-N7	332	171	47.5	137	2960	82.9	132	77	7.1	233
		285	79.2	120		110.2		84.5		
		342	95.0	105		122.2		80		
	305	159	44.2	118	2960	63.1	110	81	6.9	232
		265	73.6	103		89.0		83.5		
		318	88.3	89		94.0		82		
	283	150	41.7	99	2960	50.6	90	80	6.7	231
		250	69.4	84		69.3		82.5		
	260	300	83.3	74	2960	74.6	75	81	6.5	230
		140	39.0	81		39.2		79		
234		65.0	69	54.0		81.5				
		281	78.0	59	56.4		80			

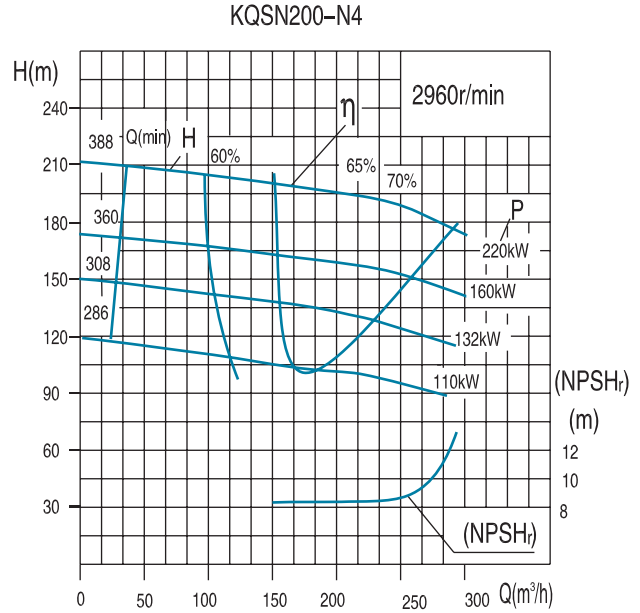
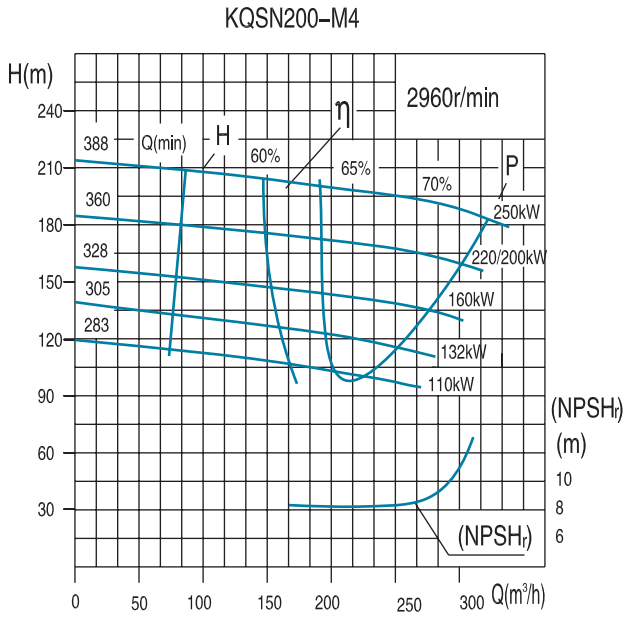

Foundation Dimensions without Base

Suction flange DN1 and Outlet Flange of Cone Pipe PN1.0 Mpa

Discharge flange DN2 PN1.0 Mpa


Length of Cone Pipe E=300

Model	Motor				Dimension (mm)										Weight (kg)	
	Model	Voltage	Class	Power (kW)	L	L1	L2	L3	B	H	W	A	C	K	Motor	Baseplate
KQSN150-M7/N7	Y315M-2	380	I	200/185	1985	1200	580	1538	600	1108	651	508	457	28	1050	278
	Y315S-2	380	I	160	1985	1200	580	1538	600	1108	651	508	457	28	1050	278
	Y280M-2	380	I	132/110	1725	940	550	1465	500	1000	625	457	419	24	820	275
	Y315L-2	380	III/II	200/160	2075	1290	600	1599	600	1045	651	508	508	28	1170	289
	Y315M-2	380	III/II	132	2025	1240	580	1548	600	1045	651	508	457	28	970	285
	Y315S-2	380	III/II	110	1975	1190	550	1497	600	1045	651	508	406	28	920	283
	Y280M-2	380	III/II	90	1835	1050	550	1465	500	855	625	457	419	24	540	278
	Y280S-2	380	III/II	75	1785	1000	550	1416	500	855	625	457	368	24	510	275

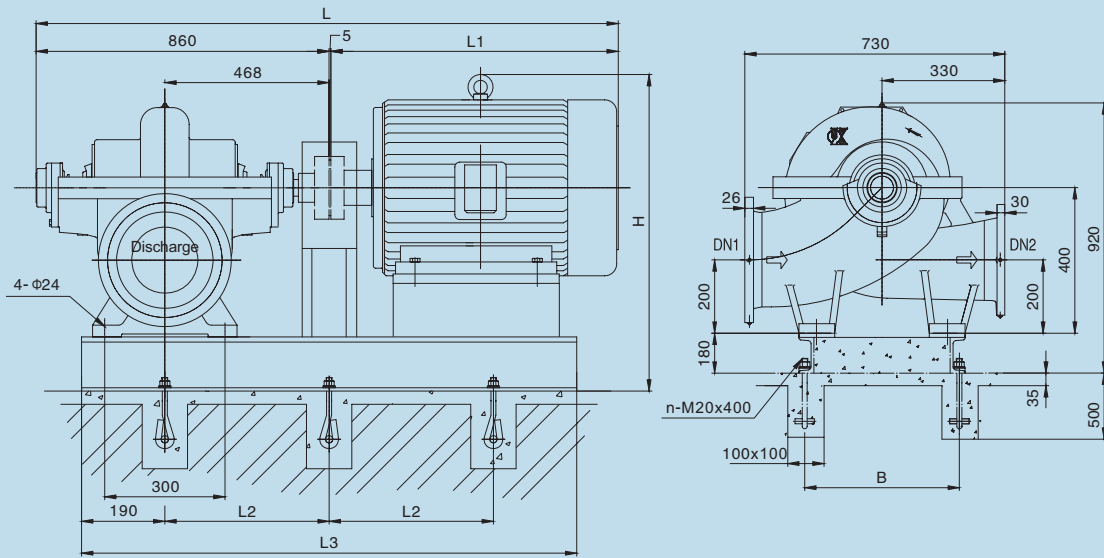
Note: Protection Class I, II, III respectively represent IP23, IP44, IP 54

KQSN200- M(N)4 Technical Data

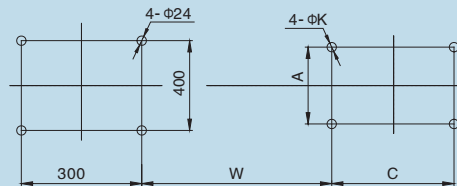


Model	Standard (mm)	Capacity		Head (m)	Speed (r/min)	Power(kW)		Efficiency %	(NPSH) _r (m)	Weight (kg)
		(m³/h)	(l/s)			Shaft Power	Moter Power			
KQSN200-M4	388	168	46.7	200	2960	145.2	250	63	8.5	369
		280	77.8	193		210.2		70		
		336	93.3	180		245.7		67		
	360	155	43.1	176	2960	121.7	*220/200	61	8.3	365
		258	71.7	165		167.9		69		
		310	86.1	155		195.2		67		
	328	142	39.4	146	2960	95.7	160	59	8.1	361
		236	65.6	138		130.4		68		
		284	78.9	132		157.0		65		
	305	132	36.7	131	2960	81.2	132	58	7.9	359
220		61.1	120	107.3		67				
250		69.4	112	119.1		64				
283	124	34.4	113	2960	66.9	110	57	7.7	357	
	207	57.5	103		87.9		66			
	245	68.1	101		106.9		63			
KQSN200-N4	388	143	39.7	196	2960	123.1	220	62	8.3	368
		238	66.1	190		175.9		70		
		285	79.2	176		206.9		66		
	360	124	34.4	172	2960	96.8	160	60	8.1	363
		208	57.8	160		131.3		69		
		250	69.4	151		158.1		65		
	328	156	43.3	136	2960	99.6	132	58	7.9	359
		196	54.4	133		104.4		68		
		236	65.6	127		129.5		63		
	286	114	31.7	109	2960	60.4	110	56	7.7	356
190		52.8	102	78.7		67				
224		62.2	98	98.0		61				

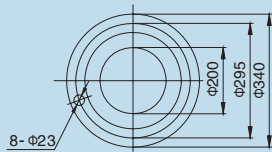
Note: * means that normally a motor with greater power is selected, and if the pump doesn't run at low head, a motor with a lower power can be selected.



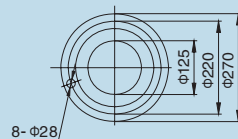
Foundation Dimensions without Base



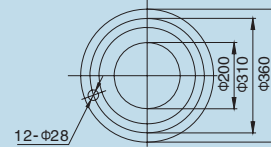
Suction Flange DN1
PN1.0Mpa



Discharge Flange DN2
PN2.5Mpa



Outlet Flange of Cone Pipe
PN2.5Mpa



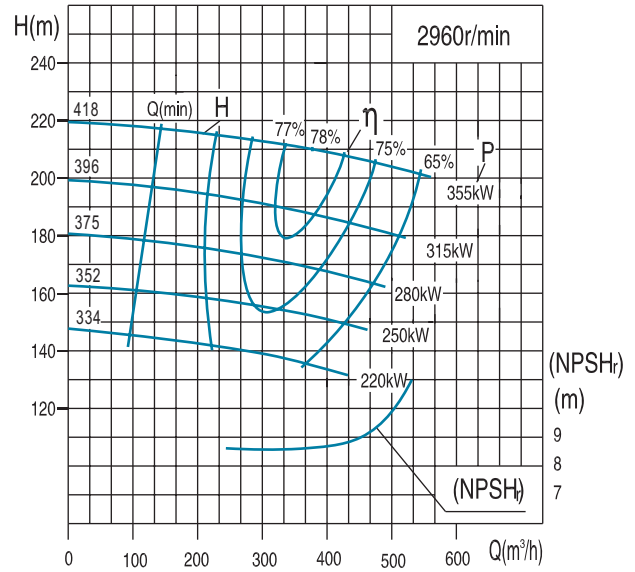
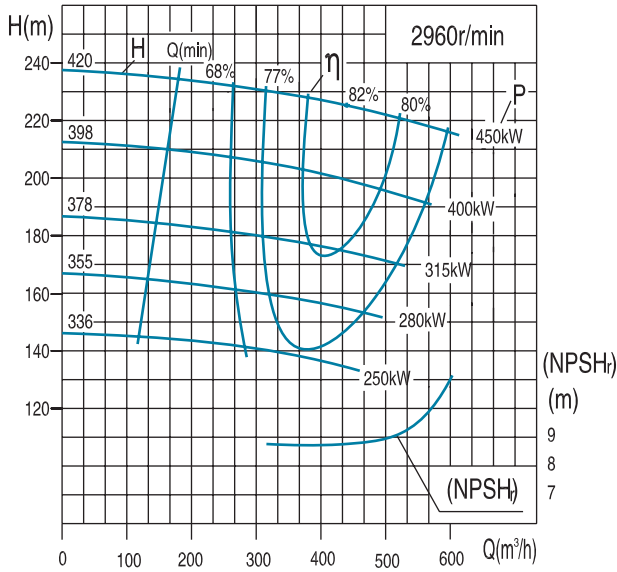
Length of Cone Pipe E=375

Model	Motor				Dimension (mm)										Weight (kg)		The number of anchor bolts
	Model	Voltage	Class	Power (kW)	L	L1	L2	L3	B	H	W	A	C	K	Motor	Baseplate	
KQSN200-M4/N4	Y315M-2	380	I	200~250	2485	1620	610	1580	520	1193	679	508	457	28	980	260	6
	Y315S-2	380	I	160	2415	1550	570	1530	520	1193	679	508	406	28	870	253	6
	Y280M-2	380	I	132/110	2005	1140	550	1500	500	1085	653	457	419	24	750	250	6
	Y355-2	6000	I / II	200~250	2735	1870	650	2325	720	1400	808	630	900	28	2050	280	8
	Y450-2	10000	I / II	200~250	2865	2000	730	2565	920	1500	893	800	1120	35	2950	295	8
	Y2355M-2	380	III / II	250/220	2365	1500	650	1735	645	1235	717	610	560	28	1690	268	6
	Y2315L1-2	380	III / II	160	2055	1190	640	1655	520	1110	679	508	508	28	1080	261	6
	Y2315M-2	380	III / II	132	2055	1190	610	1580	520	1110	679	508	457	28	970	256	6
	Y2315S-2	380	III / II	110	2025	1160	570	1530	520	1110	679	508	406	28	920	251	6

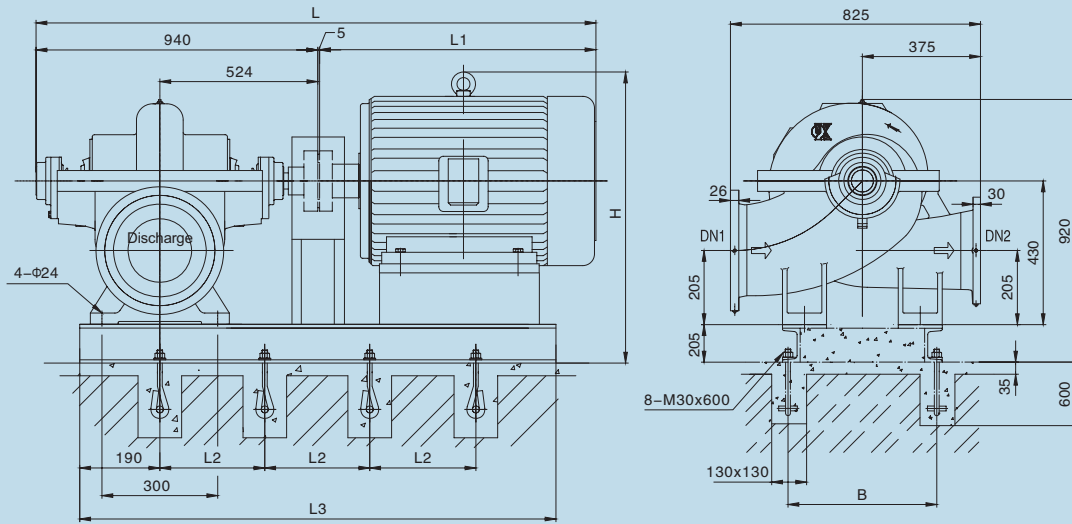
KQSN200-M(N)5 Technical Data

KQSN200-M5

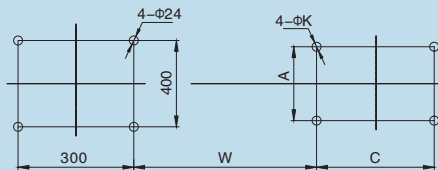
KQSN200-N5



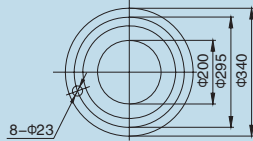
Model	standards (mm)	Capacity		Head (m)	Speed (r/min)	Power(kW)		Efficiency %	(NPSH) _r (m)	Weight (kg)
		(m³/h)	(l/s)			Shaft Power	Moter Power			
KQSN200-M5	420	264	73.3	232	2960	245.3	450	68	8.9	425
		440	122.2	225		328.8		82		
		528	146.7	220		410.8		77		
	398	250	69.4	208	2960	211.4	400	67	8.7	420
		416	115.6	201		279.6		81.5		
		499	138.6	196	351.4	76				
	378	234	65.0	182	2960	176.0	315	66	8.5	415
		390	108.3	177		231.8		81		
		468	130.0	173	293.7	75				
	355	221	61.4	163	2960	150.5	280	65	8.3	410
368		102.2	157	195.9		80.5				
	442	122.8	154	250.8	74					
336	207	57.5	143	2960	125.6	250	64	8.1	405	
	345	95.8	138		162.5		80			
	414	115.0	135	208.9	73					
KQSN200-N5	418	225	62.5	216	2960	206.8	355	64	8.7	420
		375	104.2	210		274.9		78		
		450	125.0	206		345.8		73		
	396	214	59.4	195	2960	180.8	315	63	8.5	415
		356	98.9	189		238.3		77		
		427	118.6	185		299.6		72		
	375	203	56.4	176	2960	156.8	280	62	8.3	410
		338	93.9	171		206.6		76		
		406	112.8	168		261.1		71		
	352	193	53.6	159	2960	136.9	250	61	8.1	405
		321	89.2	154		179.4		75		
		385	106.9	151	225.9	70				
334	183	50.8	143	2960	118.7	220	60	7.9	400	
	305	84.7	139		155.9		74			
	366	101.7	136	196.8	69					



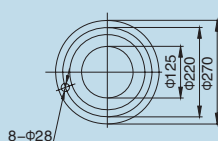
Foundation Dimensions without Base



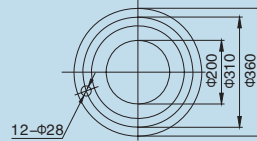
Suction Flange DN1
PN1.0Mpa



Discharge Flange DN2
PN2.5Mpa



Outlet Flange of Cone Pipe
PN2.5Mpa



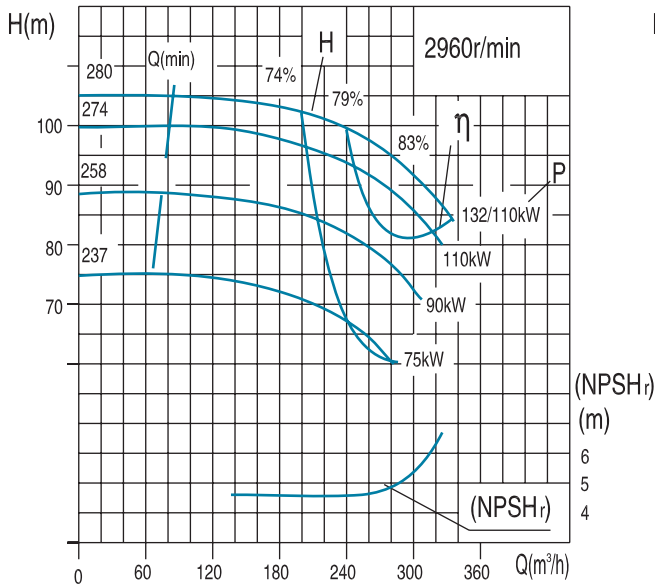
Length of Cone Pipe E=375

Model	Motor				Dimension (mm)										Weight (kg)	
	Model	Voltage	Class	Power (kW)	L	L1	L2	L3	B	H	W	A	C	K	Motor	Baseplate
KQSN200-M5/N5	Y355L-2	380	I	355	2385	1440	520	1950	680	1400	773	610	630	28	1430	302
	Y355M-2	380	I	315/280	2315	1370	460	1780	680	1400	773	610	560	28	1350	295
	Y315M-2	380	I	250/220	2115	1170	420	1630	520	1250	735	508	457	28	980	280
	Y400-2	6000	I	450	2825	1880	700	2530	840	1415	924	710	1000	35	2800	305
	Y355-2	6000	I	220~400	2695	1750	660	2400	720	1340	864	630	900	28	2260	298
	Y450-2	10000	I	220~450	2945	2000	750	2650	920	1525	949	800	1120	35	3290	315
	Y355L-2	380	III/II	315/280	2460	1515	500	1870	645	1125	773	610	630	28	2000	298
Y355M-2	380	III/II	250/220	2460	1515	500	1870	645	1125	773	610	630	28	1970	298	

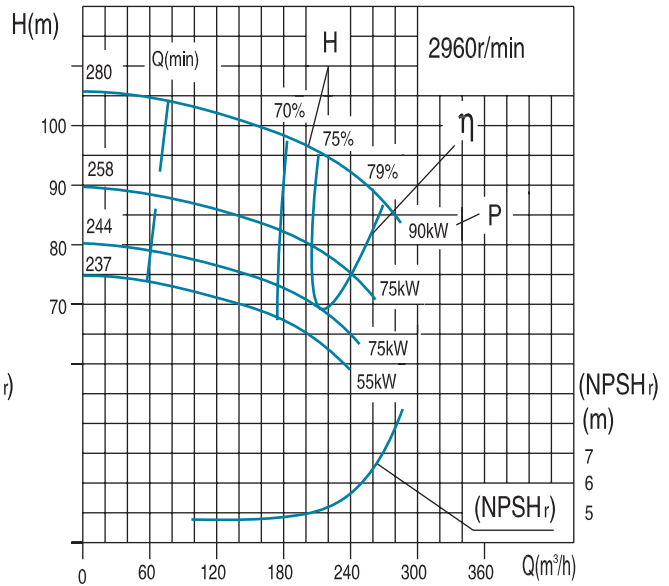
Note: Protection Class I, II, III respectively represent IP23, IP44, IP 54

KQSN200-M(N)6 Technical Data

KQSN200-M6

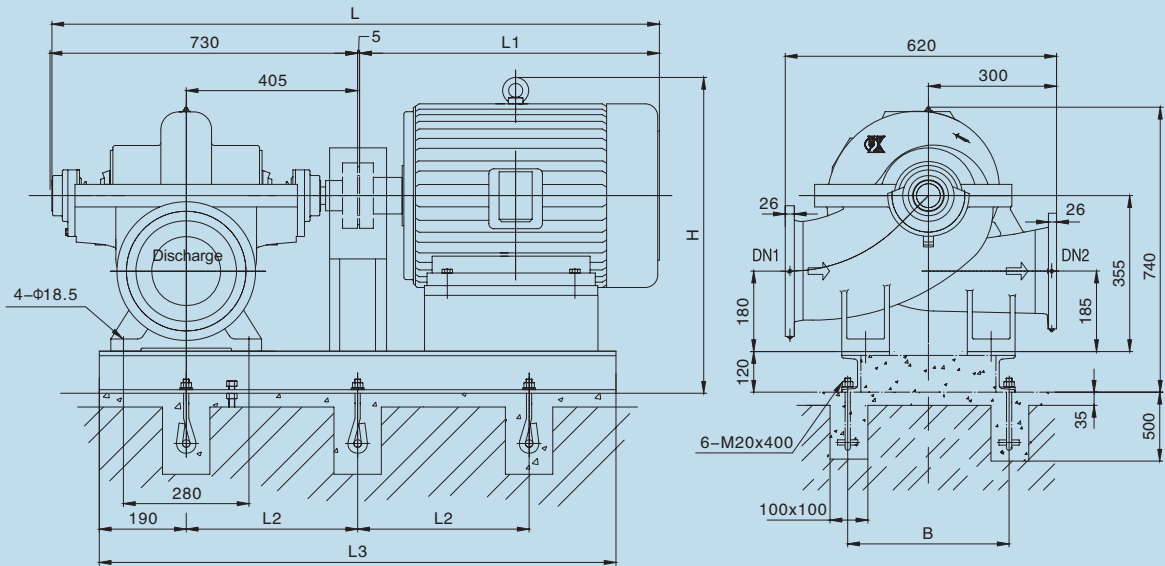
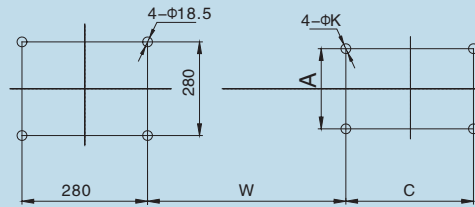
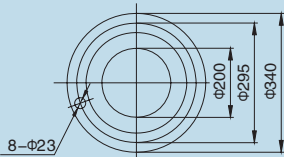
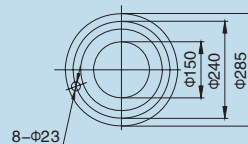


KQSN200-N6



Model	Standard (mm)	Capacity		Head (m)	Speed (r/min)	kW		Efficiency %	(NPSH) _r (m)	Weight (kg)
		(m ³ /h)	(l/s)			Shaft Power	Motor Power			
KQSN200-M6	280	168	46.7	105	2960	75.1	*132/110	64	4.7	240
		280	77.8	95		87.3		83		
		326	93.3	85		96.3		78		
	274	163	45.3	98	2960	70.2	110	62	4.6	239
		272	75.4	90		81.2		82		
	258	154	42.7	87	2960	60.9	90	60	4.5	237
		256	71.2	80		69.0		81		
	237	235	141	39.2	74	2960	48.7	75	58	4.4
235			65.3	67	54.0		80			
282			78.4	60	63.7		72			
KQSN200-N6	280	143	39.6	102	2960	68.5	90	58	5.8	238
		238	66.0	92		75.3		79.0		
		285	79.2	83		83.3		77		
	258	131	36.4	86	2960	55.3	75	56	5.6	236
		219	60.8	78		59.4		78		
	244	124	34.4	77	2960	48.5	75	54	5.4	234
		207	57.5	70		50.2		78.0		
	237	200	120	33.3	72	2960	45.3	55	52	5.2
200			55.4	64	45.2		77			
239			66.5	57	55.4		67			

Note: * means that normally a motor with greater power is selected, and if the pump doesn't run at low head, a motor with a lower power can be selected.

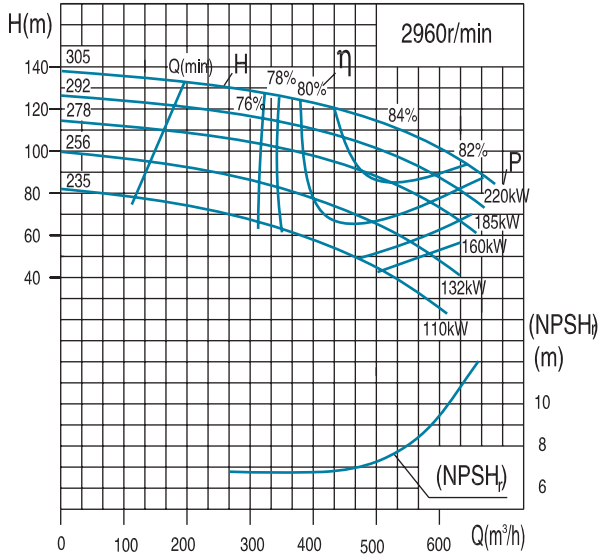

Foundation Dimensions without Base

Suction flange DN1 and Outlet Flange of Cone Pipe PN1.0 Mpa

Discharge flange DN2 PN1.0 Mpa

Length of Cone Pipe E=375

Model	Motor				Dimension (mm)										Weight (kg)	
	Model	Voltage	Class	Power (kW)	L	L1	L2	L3	B	H	W	A	C	K	Motor	Baseplate
KQSN200-M6/N6	Y280M-2	380	I	132/110	1875	1140	535	1450	500	980	600	419	457	24	820	210
	Y315M-2	380	III/II	132	2075	1340	580	1540	600	1040	626	508	457	28	970	211
	Y315S-2	380	III/II	110	2005	1270	580	1540	600	1040	626	508	406	28	920	211
	Y280M-2	380	III/II	90	1785	1050	535	1450	500	835	600	457	419	24	540	209
	Y280S-2	380	III/II	75	1735	1000	510	1400	500	835	600	457	368	24	510	207
	Y250M-2	380	III/II	55	1665	930	475	1330	450	805	578	406	349	24	380	176

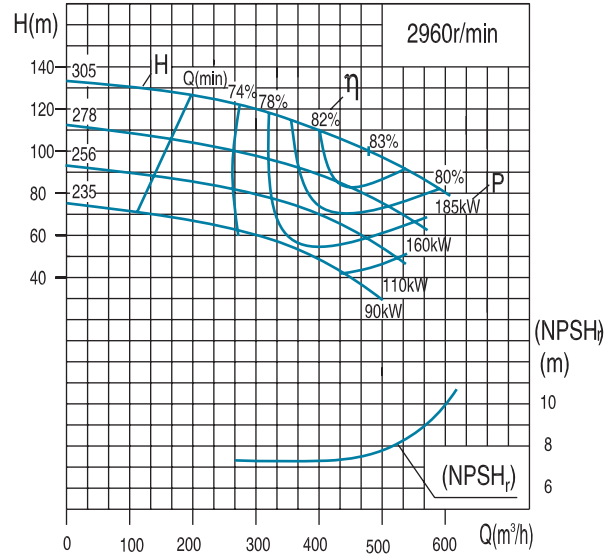
Note: Protection Class I, II, III respectively represent IP23, IP44, IP 54

KQSN200- M(N)8 Technical Data

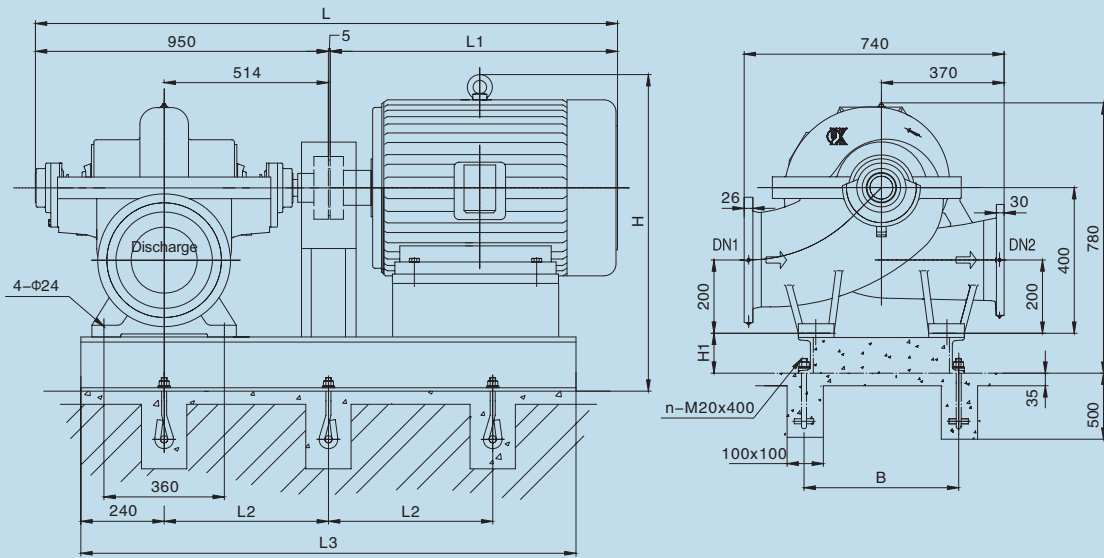
KQSN200-M8



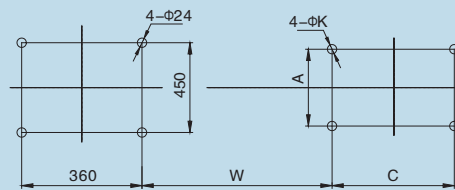
KQSN200-N8



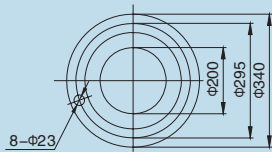
Model	standards (mm)	Capacity		Head (m)	Speed (r/min)	Power(kW)		Efficiency %	(NPSH) _r (m)	Weight (kg)
		(m ³ /h)	(l/s)			Shaft Power	Moter Power			
KQSN200-M8	305	318	88.3	125	2960	144.3	220	75	7.6	348
		530	147.2	111		190.7		84		
		636	176.7	95		201.9		81.5		
	292	305	84.7	115	2960	129.1	185	74	7.6	347
		508	141.1	100		166.7		83		
		609	169.2	87		178.1		81		
	278	291	80.8	105	2960	112.4	160	74	7.4	346
		485	134.7	88		141.7		82		
		582	161.7	78		153.6		80.5		
	256	263	73.2	89	2960	87.5	132	73	7.2	345
		439	121.9	72		106.3		81.0		
		527	146.3	63		115.9		78		
235	235	65.3	73	2960	64.9	110	72	7.0	344	
	392	108.9	57		76.1		80			
	470	130.7	50		83.2		77			
KQSN200-N8	305	288	80.0	121	2960	126.5	185	75	7.5	346
		480	133.3	100		157.5		83		
		576	160.0	85		166.7		80		
	278	263	73.2	100	2960	96.9	160	74	7.4	345
		439	121.9	84		121.7		82		
		527	146.3	70		127.1		79		
	256	241	66.8	83	2960	74.5	110	73	7.3	344
		401	111.4	70		94.4		81		
		481	133.7	57		98.3		76		
	235	214	59.3	66	2960	53.3	90	72	7.2	343
		356	98.9	55		66.7		80		
		427	118.7	44		69.2		74		



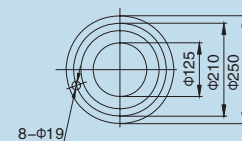
Foundation Dimensions without Base



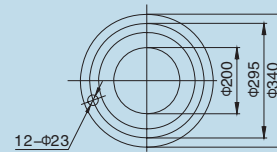
Suction Flange DN1
PN1.0Mpa



Discharge Flange DN2
PN1.6Mpa



Outlet Flange of Cone Pipe
PN1.0Mpa

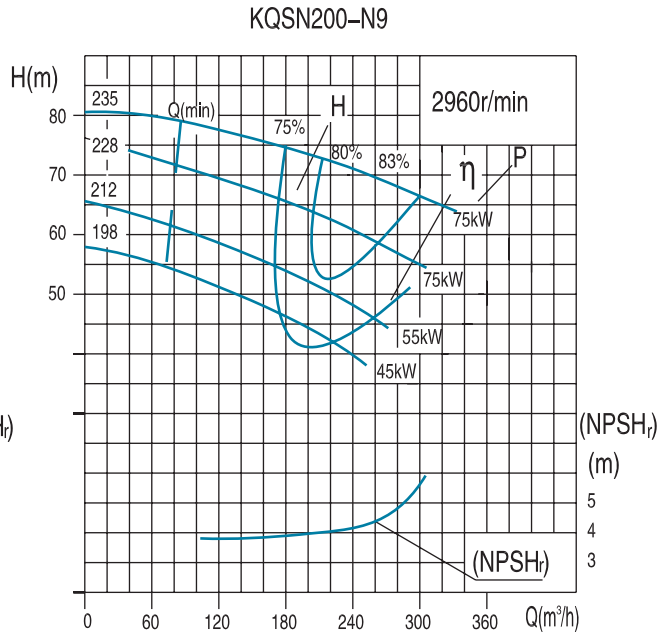
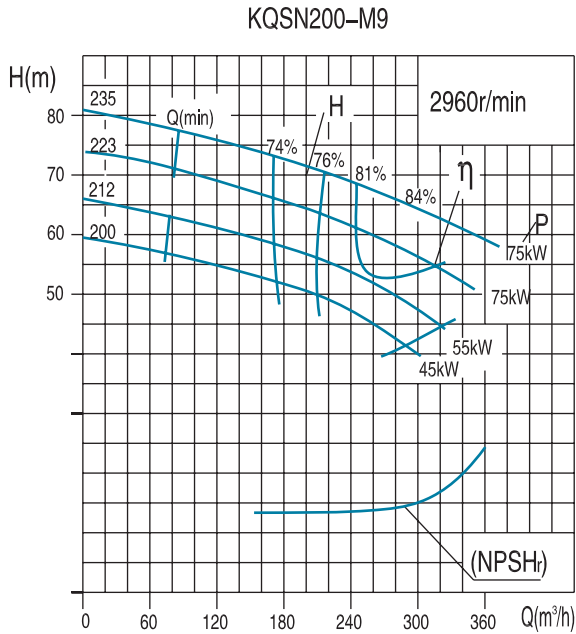


Length of Cone Pipe E=400

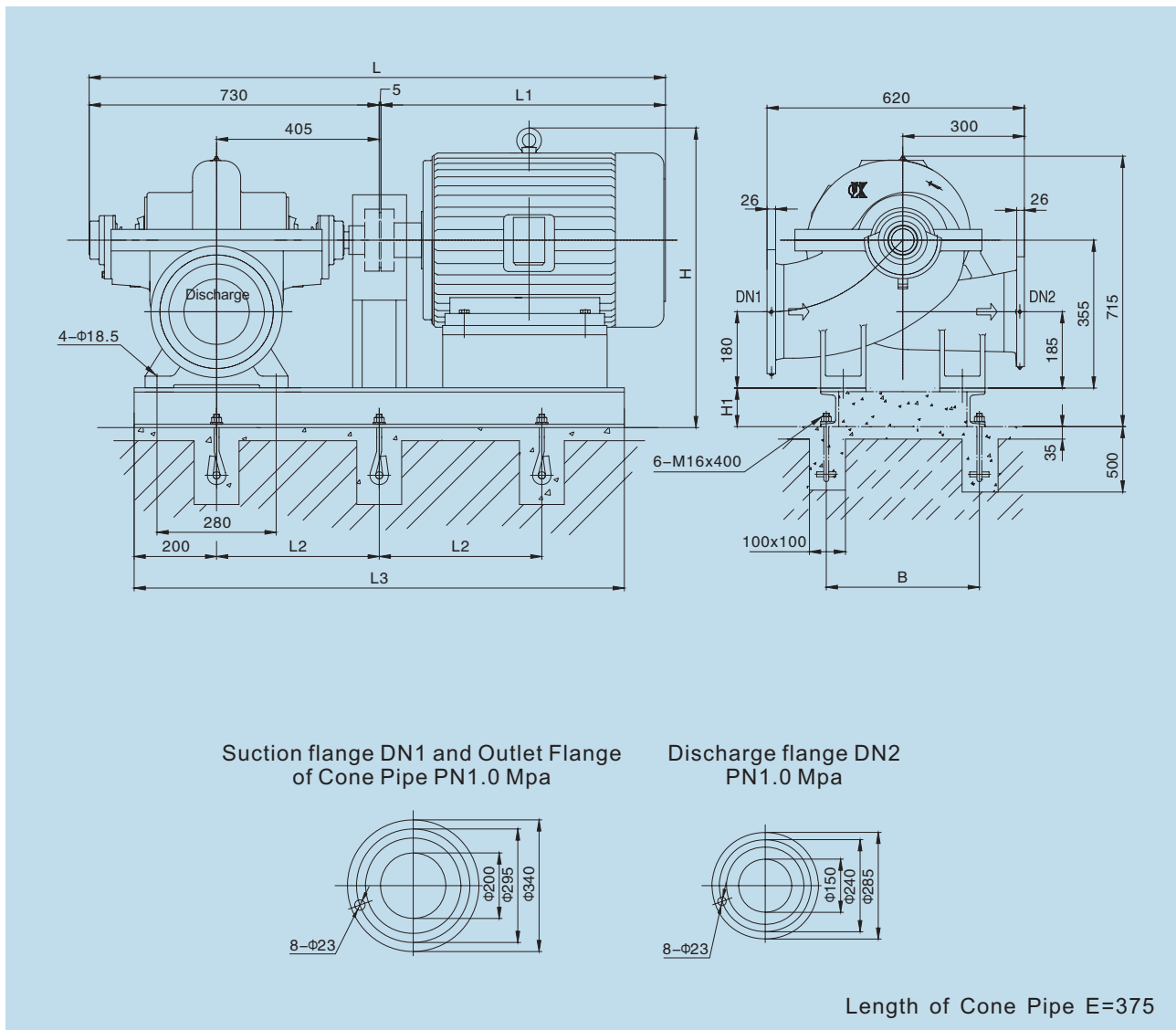
Model	Motor				Dimension (mm)												Weight (kg)	
	Model	Voltage	Class	Power (kW)	L	L1	L2	L3	B	H	W	A	C	K	H1	n	Motor	Baseplate
KQSN200-M8/N8	Y315M-2	380	I	220/185	2223	1240	600	1686	640	1153	709	508	457	28	140	6	980	358
	Y315S-2	380	I	160	2113	1130	600	1635	640	1153	709	508	406	28	140	6	870	350
	Y280M-2	380	I	132/110	1923	940	560	1614	520	1045	683	457	419	24	120	6	750	318
	Y355M-2	380	III/II	220	2503	1520	720	1917	700	1235	747	610	630	28	160	6	1690	388
	Y315L-2	380	III/II	200/160	2268	1285	640	1757	580	1090	709	508	508	28	140	6	1080	368
	Y315M-2	380	III/II	132	2223	1240	600	1696	580	1090	709	508	457	28	140	6	970	358
	Y315S-2	380	III/II	110	2173	1190	600	1640	580	1090	709	508	406	28	140	6	920	350
	Y280M-2	380	III/II	90	2033	1050	560	1614	520	900	683	457	419	24	120	6	540	318
	Y355-2	6k	I	220/185	2853	1870	640	2438	760	1375	838	630	900	28	180	8	1870	518
Y450-2	10k	I	220/185	2983	2000	720	2673	940	1430	923	800	1120	35	180	8	2935	588	

Note: Protection Class I, II, III respectively represent IP23, IP44, IP 54

KQSN200- M(N)9 Technical Data



Model	Standard (mm)	Capacity		Head (m)	Speed (r/min)	Power(kW)		Efficiency %	(NPSH) _r (m)	Weight (kg)
		(m³/h)	(l/s)			Shaft Power	Moter Power			
KQSN200-M9	235	168	46.7	73	2960	45.1	75	74	4.9	217
		300	77.8	66		64.2		84		
		351	97.5	51		62.5		78		
	223	160	44.3	65	2960	39.5	75	72	4.8	216
		285	73.9	58		54.2		83		
		333	92.6	45		55.0		75		
	212	151	42.0	59	2960	34.5	55	70	4.7	215
		270	70.0	52		46.6		82		
		316	87.8	41		48.1		73		
	200	143	39.7	52	2960	30.0	45	68	4.6	214
		255	66.1	47		40.3		81		
		298	82.9	36		41.6		71		
KQSN200-N9	235	143	39.6	75	2960	43.7	75	67	4.3	214
		255	70.8	71		59.4		83		
		298	82.7	50		52.5		77		
	228	138	36.8	71	2960	41.1	75	65	4.1	213
		247	61.4	67		54.9		82		
		289	76.9	47		49.2		75		
	212	128	35.2	61	2960	33.9	55	63	3.9	212
		230	58.7	58		44.4		81		
		268	73.6	40		40.4		73		
	198	121	33.7	53	2960	30.6	45	61	3.7	211
		215	59.7	50		36.8		80		
		240	70.3	36		35.1		71		



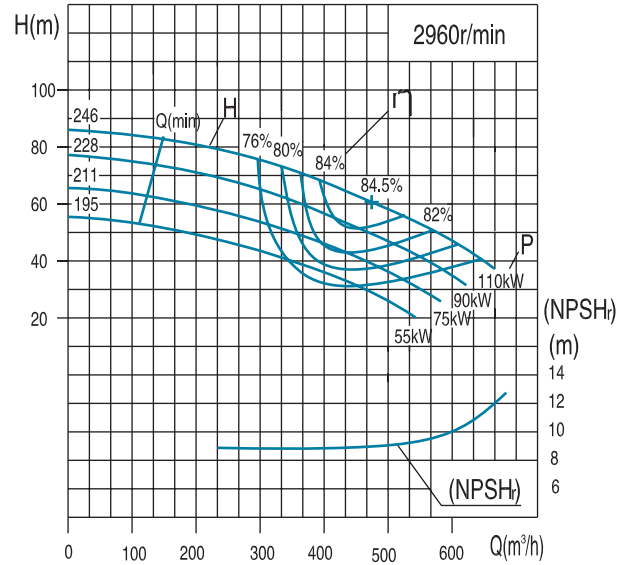
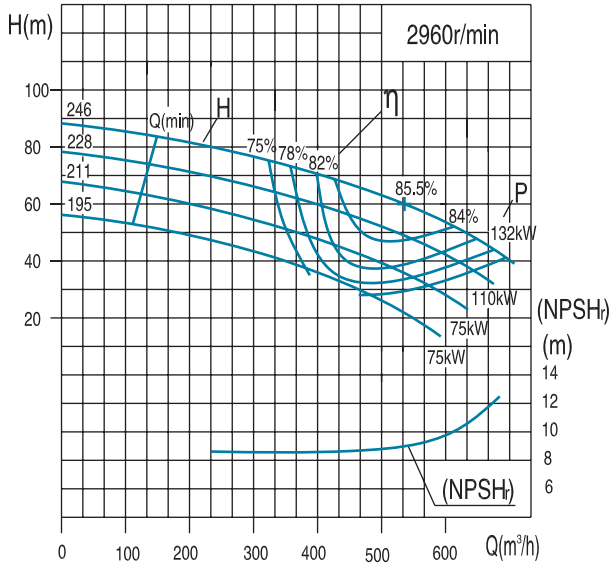
Model	Motor				Dimension (mm)							Weight (kg)	
	Model	Voltage	Class	Power (kW)	L	L1	L2	L3	B	H	H1	Motor	Baseplate
KQSN200-M9/N9	Y280S-2	380	III/II	75	1735	1000	510	1400	500	835	120	510	180
	Y250M-2	380	III/II	55	1665	930	475	1330	450	805	120	380	176
	Y225M-2	380	III/II	45	1550	815	425	1230	400	785	120	297	173
	Y200L ₂ -2	380	III/II	37	1510	775	410	1200	350	730	100	239	170

Note: Protection Class I, II, III respectively represent IP23, IP44, IP 54

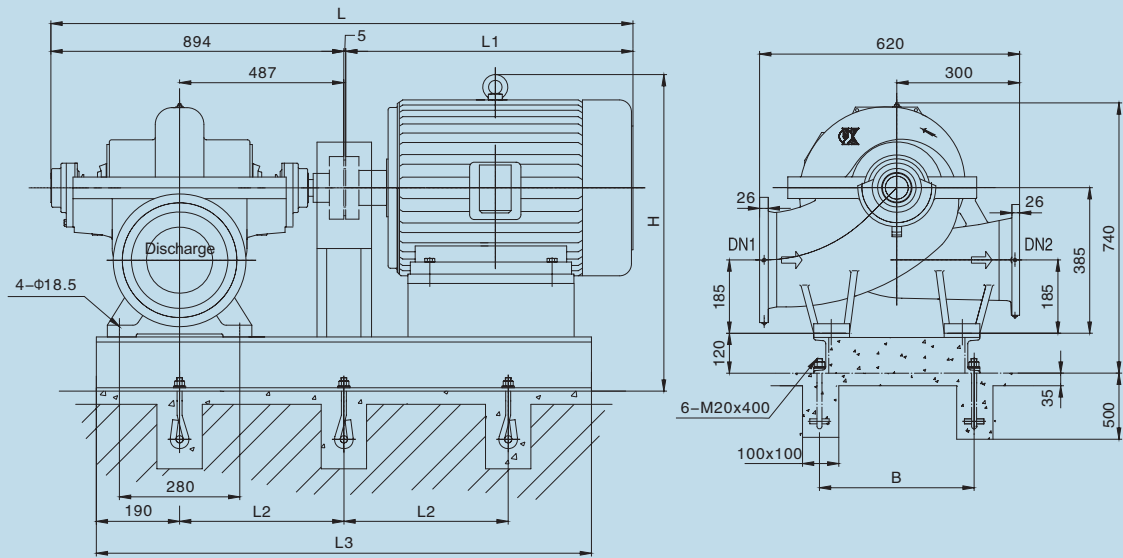
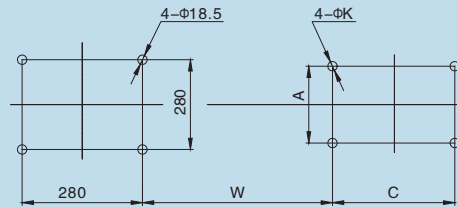
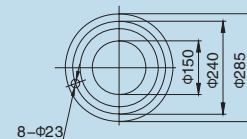
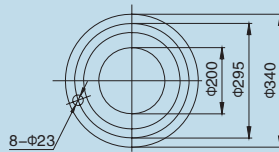
KQSN200- M(N)12 Technical Data

KQSN200-M12

KQSN200-N12



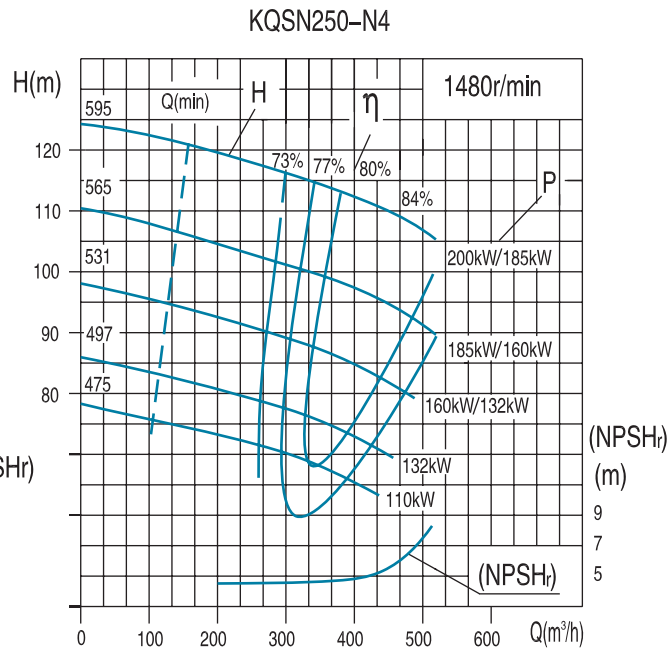
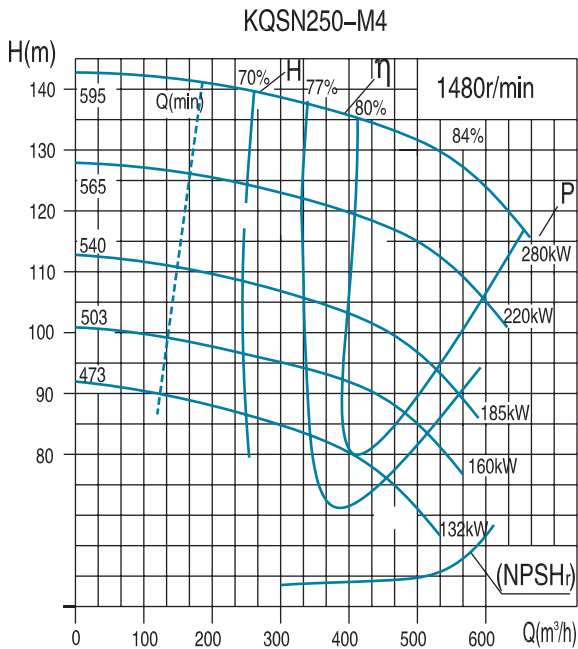
Model	standards (mm)	Capacity		Head (m)	Speed (r/min)	Power(kW)		Efficiency %	(NPSH)r (m)	Weight (kg)
		(m³/h)	(l/s)			Shaft Power	Motor Power			
KQSN200-M12	246	320	89.0	75.0	2960	86.1	132	76	8.8	280
		534	148.3	61.0		103.8		85.5		
		641	178.0	50.0		106.4		82		
	228	298	82.8	65.0	2960	70.4	110	75	8.7	279
		497	138.1	53.0		85.4		84		
		596	165.7	43.0		86.2		81		
	211	272	75.7	56.0	2960	56.9	75	73	8.6	278
		454	126.1	44.0		65.9		82.5		
		545	151.3	34.0		64.7		78		
	195	255	70.8	46.0	2960	45.0	75	71	8.5	277
		425	118.1	35.0		53.0		81		
		510	141.7	29.0		55.2		74		
KQSN200-N12	246	284	78.8	76.5	2960	77.8	110	76	8.6	280
		473	131.4	61.0		93.0		84.5		
		568	157.7	51.0		96.1		82		
	228	266	73.8	67.0	2960	65.5	90	74	8.5	279
		443	123.1	54.0		77.6		84		
		532	147.7	43.0		76.9		81		
	211	246	68.3	57.0	2960	52.3	75	73	8.4	278
		410	113.9	45.0		61.3		82		
		492	136.7	37.5		63.6		79		
	195	229	63.5	47.5	2960	41.6	55	71	8.3	277
		381	105.8	37.0		49.9		81		
		457	127.0	30.0		50.5		78		


Foundation Dimensions without Base

Suction flange DN1 and Outlet Flange of Cone Pipe PN1.0 Mpa
Discharge flange DN2 PN1.0 Mpa

Length of Cone Pipe E=375

Model	Motor				Dimension (mm)										Weight (kg)	
	Model	Voltage	Class	Power (kW)	L	L1	L2	L3	B	H	W	A	C	K	Motor	Baseplate
KQSN200-M12/N12	Y280M-2	380	I	132/110	1839	940	580	1523	520	1010	600	457	419	24	820	275
	Y315M-2	380	III/II	132	2139	1240	600	1605	580	1055	626	508	457	28	970	285
	Y315S-2	380	III/II	110	2089	1190	580	1550	580	1055	626	508	406	28	920	283
	Y280M-2	380	III/II	90	1949	1050	580	1523	520	865	600	457	419	24	540	278
	Y280S-2	380	III/II	75	1899	1000	550	1475	520	865	600	457	368	24	510	275
	Y250M-2	380	III/II	55	1899	1000	520	1410	440	830	600	406	349	24	380	275

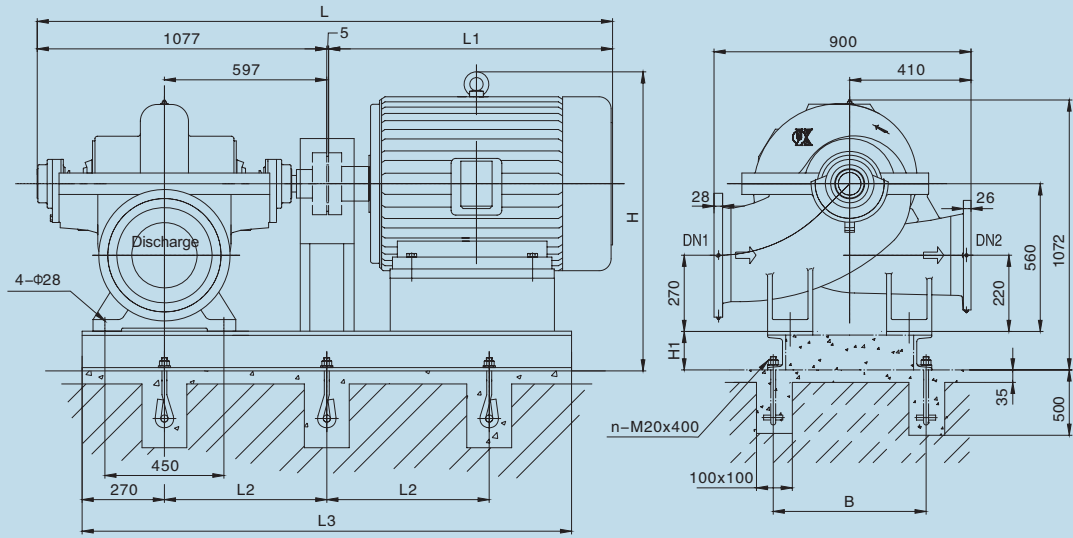
Note: Protection Class I, II, III respectively represent IP23, IP44, IP54

KQSN250- M(N)4 Technical Data

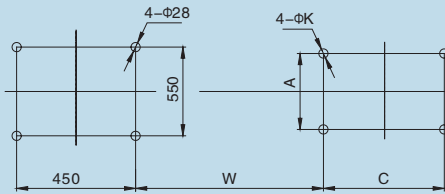


Model	Standard (mm)	Capacity		Head (m)	Speed (r/min)	Power(kW)		Efficiency %	(NPSH)r (m)	Weight (kg)
		(m³/h)	(l/s)			Shaft Power	Moter Power			
KQSN250-M4	595	318	88.3	137	1480	158.1	280	75	5.1	680
		530	147.2	130		223.3		84		
		636	176.7	118		258.6		79		
	565	299	83.0	122	1480	134.2	220	74	5.0	678
		498	138.4	115		187.7		83		
		598	166.1	103		214.9		78		
	540	281	78.1	108	1480	113.2	185	73	4.9	676
		468	130.1	101		157.8		82		
		562	156.1	92		182.8		77		
	503	264	73.4	95	1480	94.9	160	72	4.8	674
440		122.3	90	132.7		81				
528		146.7	82	155.2		76				
473	248	69.0	84	1480	80.0	132	71	4.7	672	
	414	114.9	79		111.6		80			
	497	137.9	71		128.0		75			
KQSN250-N4	595	258	71.7	118	1480	109.0	*200/185	76	5.1	680
		432	120.0	110		154.0		84		
		518	143.9	100		178.5		79		
	565	247	68.6	103	1480	91.9	*185/160	75	5.0	678
		412	114.3	97		130.7		83		
		494	137.2	89		153.1		78		
	531	232	64.5	91	1480	77.4	*160/132	74	4.9	676
		387	107.5	86		109.8		82		
		464	128.9	78		128.7		77		
	497	217	60.4	79	1480	64.4	132	73	4.8	674
362		100.6	75	91.2		81				
434		120.6	69	106.9		76				
475	207	57.6	72	1480	56.8	110	72	4.7	672	
	346	96.0	68		80.3		80			
	415	115.3	63		94.4		75			

Note: * means that normally a motor with greater power is selected, and if the pump doesn't run at low head, a motor with a lower power can be selected.



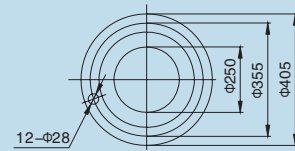
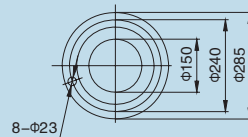
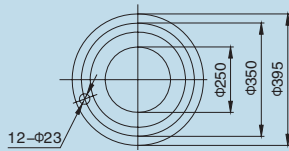
Foundation Dimensions without Base



Suction Flange DN1
PN1.0Mpa

Discharge Flange DN2
PN1.6Mpa

Outlet Flange of Cone Pipe
PN1.0Mpa

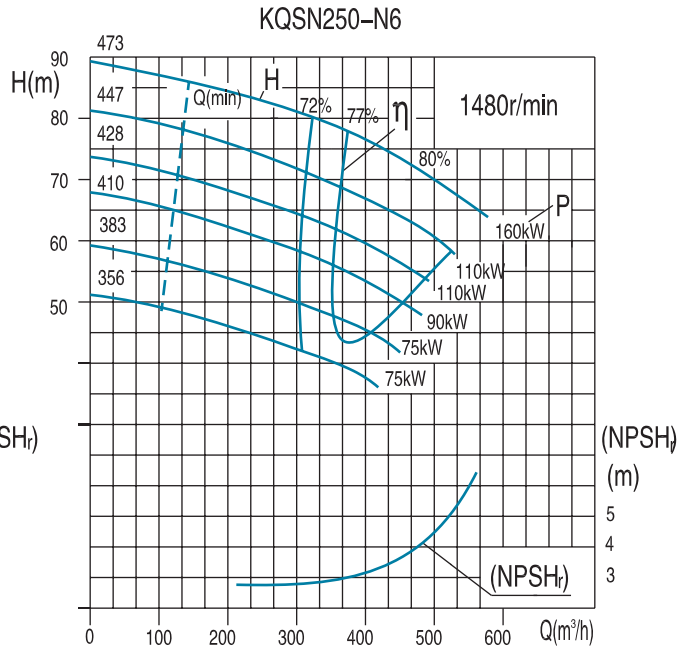
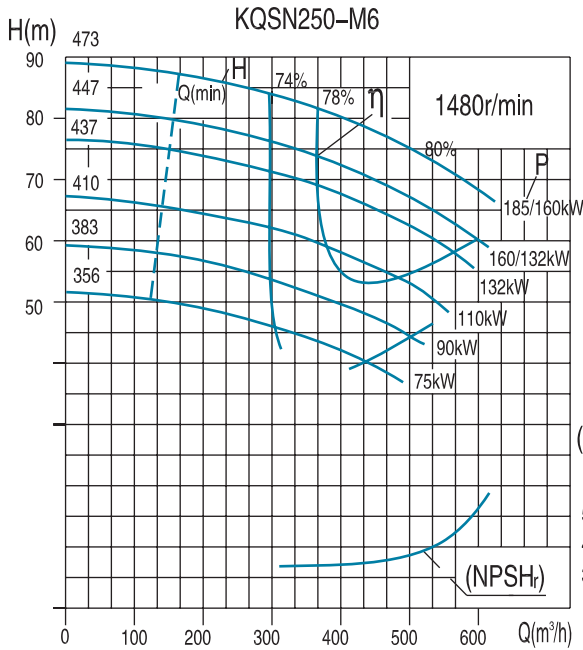


Length of Cone Pipe E=500

Model	Motor				Dimension (mm)												Weight (kg)	
	Model	Voltage	Class	Power (kW)	L	L1	L2	L3	B	H	H1	W	A	C	K	n	Motor	Baseplate
KQSN250-M4/N4	Y355M-4	380	I	280	2702	1620	730	2000	680	1485	160	841	610	560	28	6	1460	298
	Y315M-4	380	I	220	2352	1270	650	1840	560	1335	160	763	508	457	28	6	1075	296
	Y315M-4	380	I	185	2352	1270	650	1840	560	1335	160	763	508	457	28	6	985	296
	Y315S-4	380	I	160	2242	1160	650	1840	560	1335	160	763	508	406	28	6	870	294
	Y280M-4	380	I	132/110	2222	1140	605	1750	560	1205	140	737	457	419	24	6	820	292
	Y355-4	6000	I / II	220~280	2952	1870	670	2545	740	1575	160	902	630	900	28	8	1800	350
	Y450-4	10000	I / II	220~280	3182	2050	750	2805	920	1260	160	942	800	1120	35	8	2710	375
	Y355L-4	380	III/II	280	2652	1570	730	2000	680	1395	160	801	610	630	28	6	1870	301
	Y355M-4	380	III/II	220	2652	1570	730	2000	680	1395	160	801	610	560	28	6	1720	298
	Y315L-4	380	III/II	185/160	2422	1340	650	1880	560	1270	160	763	508	508	28	6	1170	300
	Y315M-4	380	III/II	132	2422	1340	650	1840	560	1270	160	763	508	457	28	6	1010	296
	Y315S-4	380	III/II	110	2352	1270	630	1800	560	1270	160	763	508	406	28	6	930	294

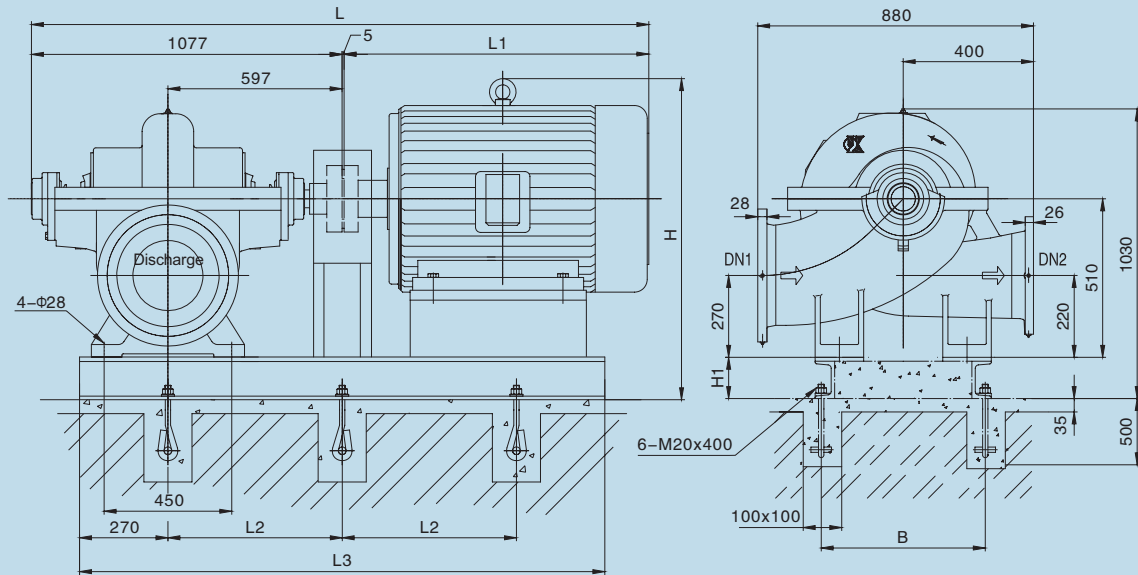
Note: Protection Class I, II, III respectively represent IP23, IP44, IP 54

KQSN250- M(N)6 Technical Data

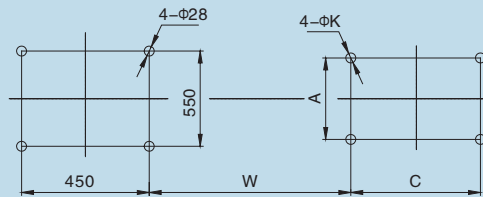


Model	Standard (mm)	Capacity		Head (m)	Speed (r/min)	Power(kW)			(NPSH) _r (m)	Weight (kg)
		(m ³ /h)	(l/s)			Shaft Power	Moter Power	Efficiency %		
KQSN250-M6	473	302	83.9	84	1480	97.3	*185/160	71	3.5	538
		493	136.9	75		125.8		80		
		631	175.3	67		153.4		75		
	447	291	80.8	77	1480	84.7	*160/132	72	3.4	536
		485	134.7	66		110.3		79		
		612	170.0	59		134.6		73		
437	282	78.4	72	1480	77.4	132	71	3.3	534	
	470	130.7	64		104.6		78			
410	265	73.6	63	1480	65.8	110	69	3.2	532	
	441	122.6	56		87.5		77			
	550	152.8	48		100.5		72			
383	247	68.7	55	1480	55.2	90	67	3.0	530	
	412	114.5	49		72.2		76			
	520	144.5	42		84.1		71			
356	230	63.9	47	1480	45.0	75	66	2.9	528	
	383	106.4	42		58.8		75			
	483	134.3	36		68.5		70			
KQSN250-N6	473	258	71.7	83	1480	88.3	160	66	3.1	537
		432	120.0	75		110.3		80		
		535	148.6	67		133.7		73		
	447	252	70.0	75	1480	76.3	110	67	3.0	535
		420	116.7	64		92.6		79.0		
		520	144.4	57		109.0		74		
	428	239	66.4	67	1480	67.1	110	65	3.0	533
		399	110.8	59		82.2		78		
		504	140.0	52		99.1		72		
	410	229	63.7	62	1480	61.4	90	63	2.9	531
		382	106.2	54		73.3		77.0		
		482	134.0	48		88.5		71		
383	214	59.5	54	1480	51.6	75	61	2.8	529	
	357	99.2	47		60.6		76			
	451	125.1	42		73.2		70			
356	199	55.3	47	1480	42.9	75	59	2.6	527	
	332	92.2	41		49.3		75			
	419	116.3	36		59.4		69			

Note: * means that normally a motor with greater power is selected, and if the pump doesn't run at low head, a motor with a lower power can be selected.

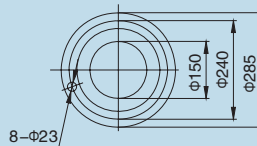
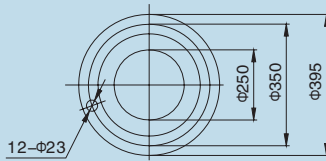


Foundation Dimensions without Base



Suction flange DN1 and Outlet Flange of Cone Pipe PN1.0 Mpa

Discharge flange DN2 PN1.0 Mpa

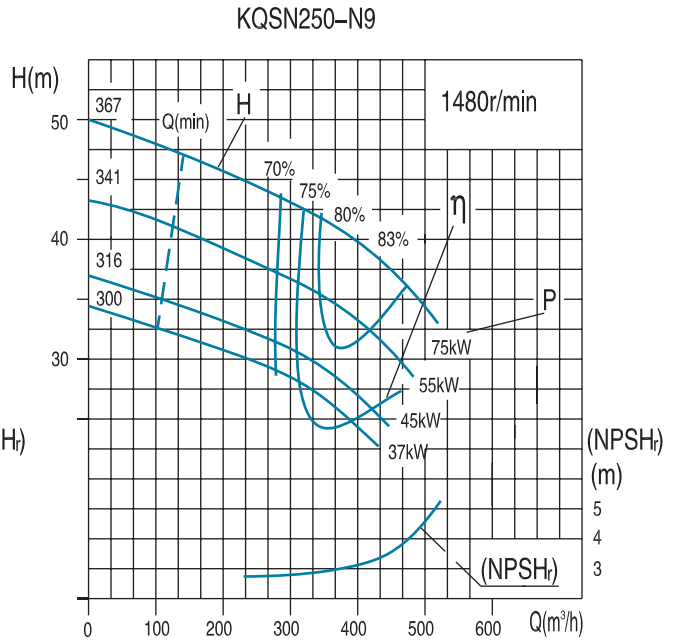
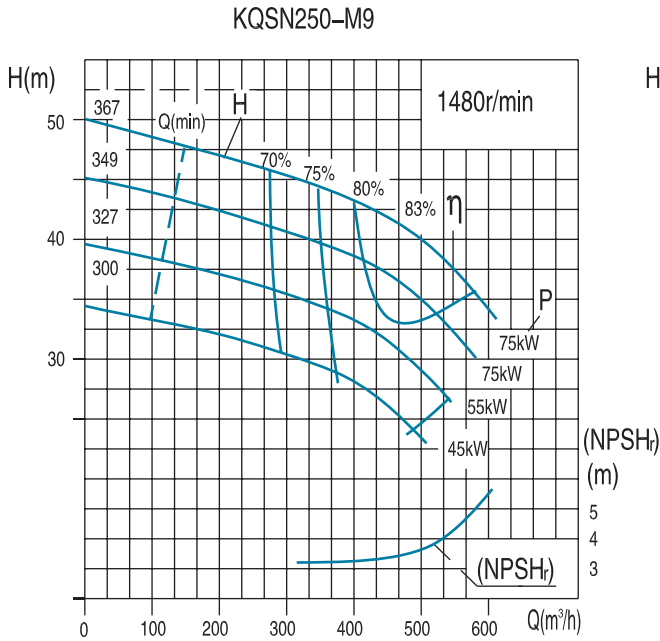


Length of Cone Pipe E=500

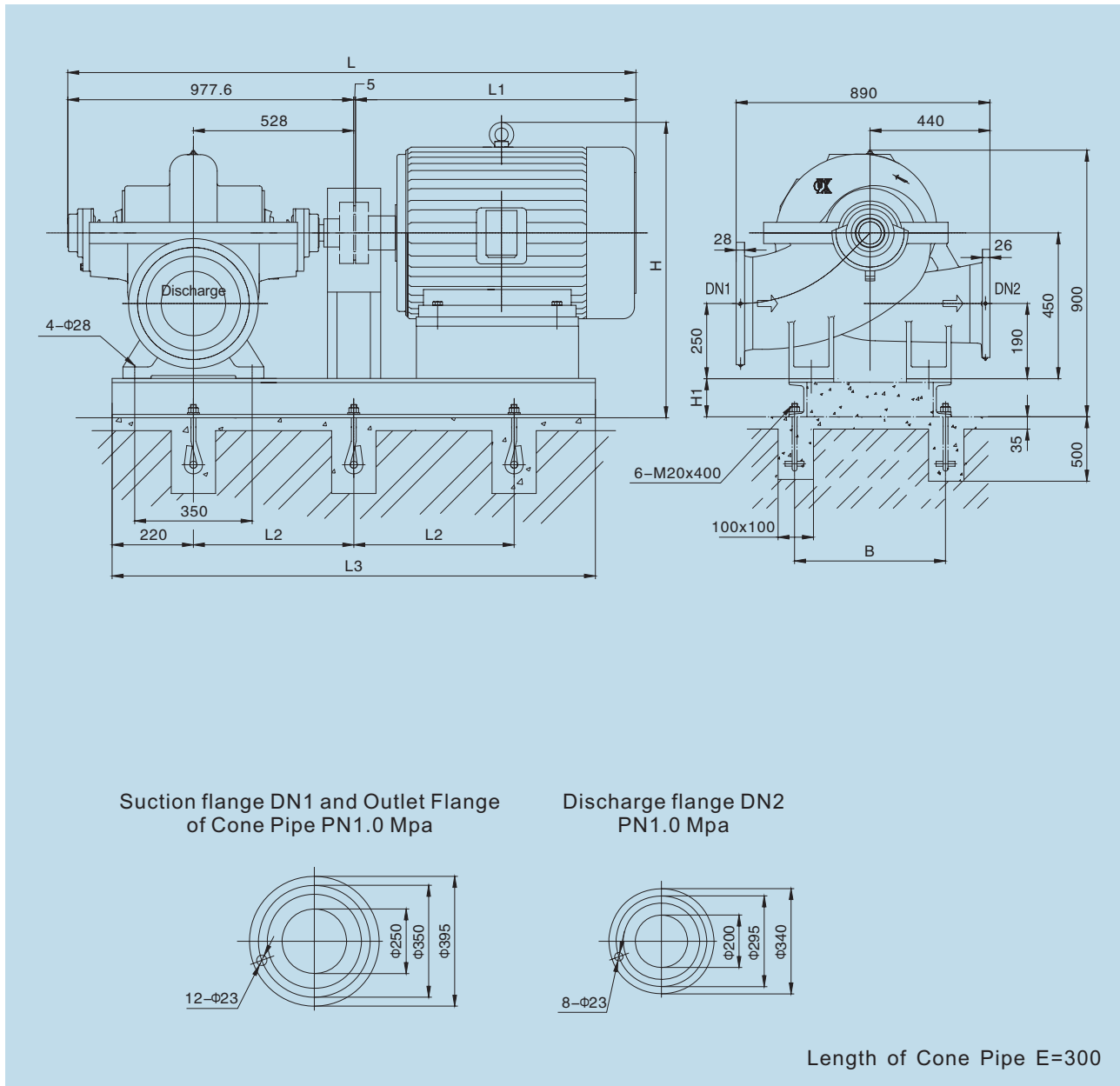
Model	Motor				Dimension (mm)											Weight (kg)	
	Model	Voltage	Class	Power (kW)	L	L1	L2	L3	B	H	H1	W	A	C	K	Motor	Baseplate
KQSN250-M6/N6	Y315M ₂ -4	380	I	185	2352	1270	650	1840	560	1285	160	763	508	457	28	985	263
	Y315S-4	380	I	160	2242	1160	650	1790	560	1285	160	763	508	406	28	870	261
	Y280M-4	380	I	132/110	2222	1140	605	1750	560	1141	140	737	457	419	24	820	260
	Y315L ₂ -4	380	III/II	185	2422	1340	650	1860	560	1220	160	763	508	508	28	1170	264
	Y315L ₁ -4	380	III/II	160	2422	1340	650	1860	560	1220	160	763	508	508	28	1070	264
	Y315M-4	380	III/II	132	2422	1340	650	1840	560	1220	160	763	508	457	28	1010	263
	Y315S-4	380	III/II	110	2352	1270	650	1790	560	1220	160	763	508	406	28	930	260
	Y280M-4	380	III/II	90	2132	1050	605	1720	560	1000	140	707	457	419	24	600	259
	Y280S-4	380	III/II	75	2082	1000	605	1670	560	1000	140	707	457	368	24	510	258

Note: Protection Class I, II, III respectively represent IP23, IP44, IP 54

KQSN250- M(N)9 Technical Data



Model	Standard (mm)	Capacity		Head (m)	Speed (r/min)	Power(kW)		Efficiency %	(NPSH) _r (m)	Weight (kg)
		(m³/h)	(l/s)			Shaft Power	Moter Power			
KQSN250-M9	367	291	80.8	46	1480	50.1	75	72	3.4	442
		485	134.7	41		64.7		83		
		612	170.0	34		71.7		79		
	349	276	76.8	41	1480	44.2	75	70	3.2	439
		461	128.0	37		56.8		81		
	327	581	161.5	30	1480	61.9	55	77	3.1	436
		259	71.9	36		37.4		68		
	300	432	119.9	32	1480	47.9	45	79	3.0	433
545		151.3	26	51.5		76				
242		67.1	31	31.3		66				
KQSN250-N9	367	403	111.8	27	1480	38.4	75	77	3.0	441
		490	141.1	23		40.9		75		
		247	68.6	44		45.7		65		
	341	412	114.3	39	1480	53.1	55	83	2.9	438
		519	144.2	33		60.3		78		
		230	65.8	38		38.0		63		
	316	383	109.7	34	1480	43.8	45	81	2.8	435
		483	138.5	29		49.7		76		
300	212	61.0	33	1480	31.0	37	61	2.7	432	
	354	101.7	29		35.5		79			
	447	128.4	25		40.4		74			
300	205	56.9	30	1480	28.8	77	59	2.7	432	
	342	94.9	25		30.2		77			
	415	119.7	21		32.9		72			

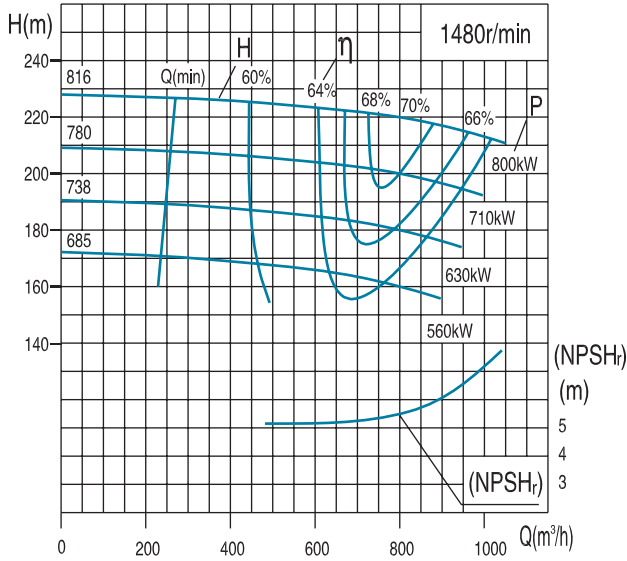


Model	Motor				Dimension (mm)							Weight (kg)	
	Model	Voltage	Class	Power (kW)	L	L1	L2	L3	B	H	H1	Motor	Baseplate
KQSN250-M9/N9	Y280S-4	380	III/II	75	1985	1000	560	1560	500	955	140	510	200
	Y250M-4	380	III/II	55	1915	930	520	1480	460	890	120	385	198
	Y225M-4	380	III/II	45	1830	845	485	1410	460	870	120	322	196
	Y225S-4	380	III/II	37	1800	815	470	1380	460	870	120	287	194

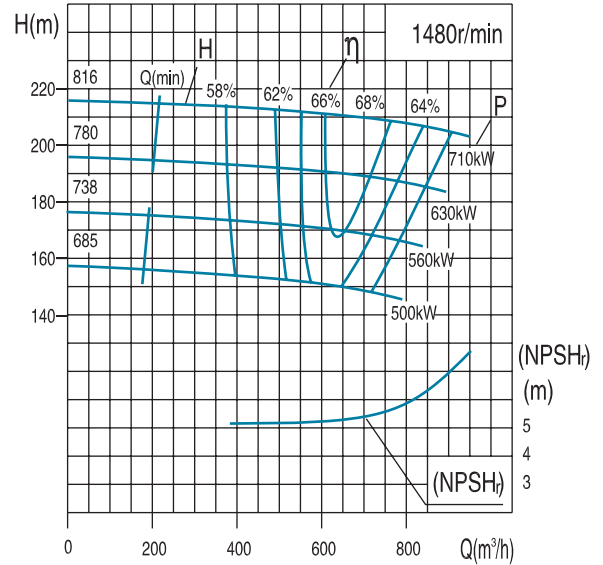
Note: Protection Class I, II, III respectively represent IP23, IP44, IP 54

KQSN300- M(N)3 Technical Data

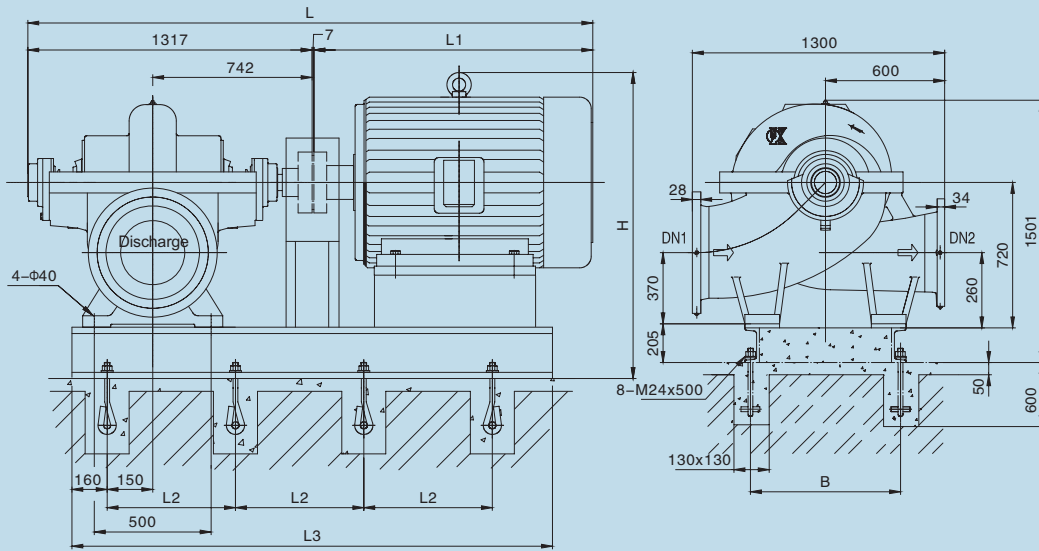
KQSN300-M3



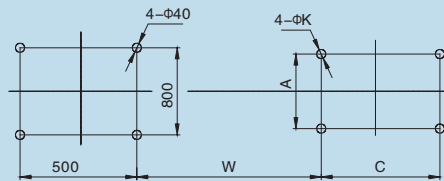
KQSN300-N3



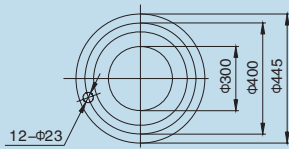
Model	standards (mm)	Capacity		Head (m)	Speed (r/min)	Power(kW)		Efficiency %	(NPSH) _r (m)	Weight (kg)
		(m³/h)	(l/s)			Shaft Power	Moter Power			
KQSN300-M3	816	474	131.7	225	1480	476.1	800	61	5.3	1538
		790	219.4	220		676.2		70		
		909	252.4	215		793.9		67		
	780	459	127.5	205	1480	427.1	710	60	5.2	1535
		765	212.5	200		603.9		69		
		880	244.4	195		707.9		66		
	738	442	122.7	186	1480	379.1	630	59	5.1	1531
		736	204.4	180		530.6		68		
		846	235.1	174		617.0		65		
	685	424	117.8	166	1480	330.6	560	58	5.0	1526
		707	196.4	160		459.8		67		
		813	225.8	153		529.3		64		
KQSN300-N3	816	402	111.7	214	1480	390.5	710	60	5.3	1537
		670	186.1	210		563.5		68		
		777	215.9	205		667.5		65		
	780	388	107.8	194	1480	347.6	630	59	5.2	1535
		647	179.7	190		499.7		67		
		751	208.5	185		590.8		64		
	738	375	104.2	175	1480	308.1	560	58	5.1	1532
		625	173.6	170		438.4		66		
		731	203.1	165		521.6		63		
	685	361	100.3	156	1480	269.2	500	57	5.0	1528
		602	167.2	150		378.3		65		
		710	197.3	144		449.3		62		



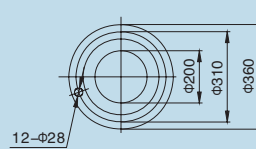
Foundation Dimensions without Base



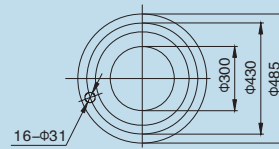
Suction Flange DN1
PN1.0Mpa



Discharge Flange DN2
PN2.5Mpa



Outlet Flange of Cone Pipe
PN1.0Mpa

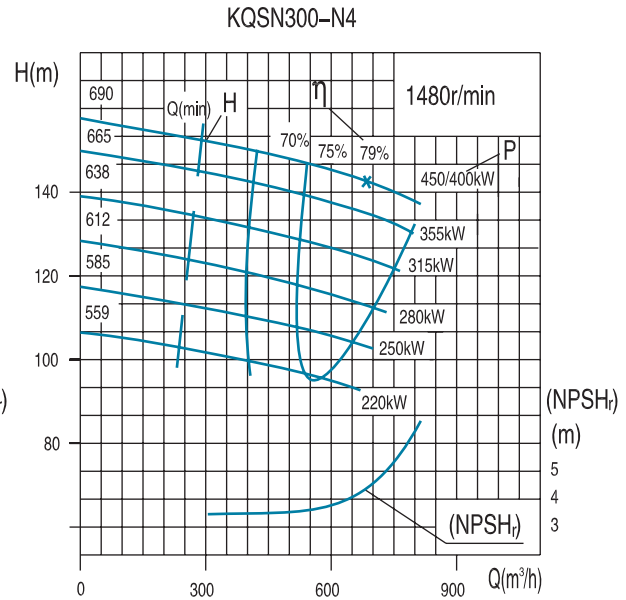
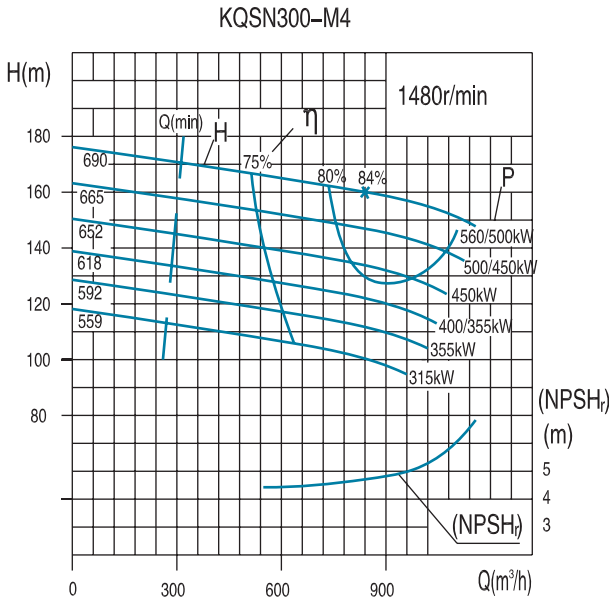


Length of Cone Pipe E=500

Model	Motor				Dimension (mm)										Weight (kg)	
	Model	Voltage	Class	Power (kW)	L	L1	L2	L3	B	H	W	A	C	K	Motor	Baseplate
KQSN300-M3/N3	Y450-4	6k	I /II	710	3504	2180	915	3019	950	1950	1064	800	1120	35	3180	898
	Y450-4	6k	I /II	630	3504	2180	915	3019	950	1950	1064	800	1120	35	3092	898
	Y400-4	6k	I /II	560	3304	1980	860	2864	920	1855	1044	710	1000	35	2600	918
	Y400-4	6k	I /II	500	3304	1980	860	2864	920	1855	1044	710	1000	35	2510	918
	Y500-4	10k	I /II	800	3524	2200	950	3129	1050	1475	1184	900	1250	42	4600	938
	Y500-4	10k	I /II	710	3524	2200	950	3129	1050	1475	1184	900	1250	42	4550	938
	Y450-4	10k	I /II	630	3374	2050	915	2993	950	1425	1064	800	1120	35	3461	898
	Y450-4	10k	I /II	560	3374	2050	915	2993	950	1425	1064	800	1120	35	3380	898
	Y450-4	10k	I /II	500	3374	2050	915	2993	950	1425	1064	800	1120	35	3315	898

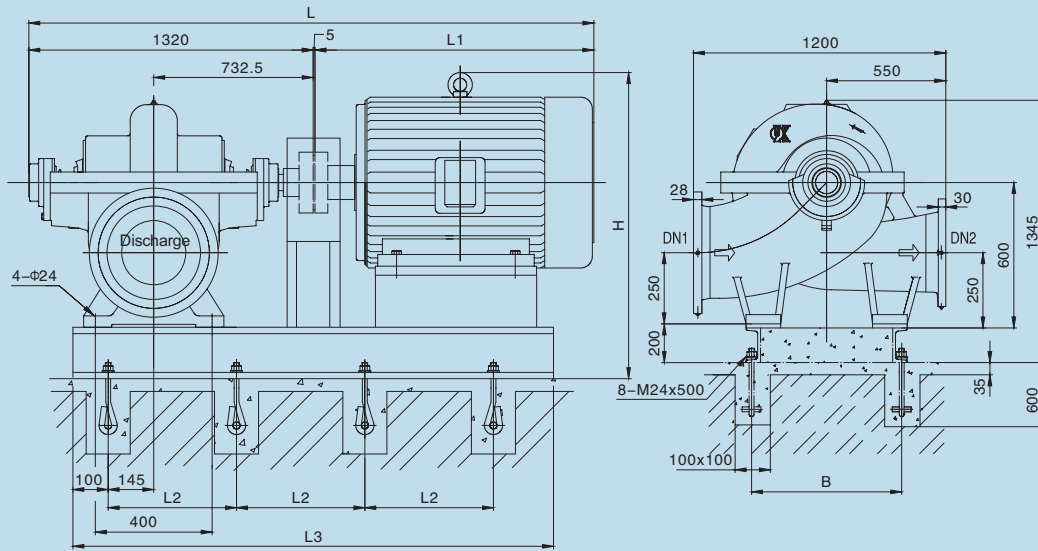
Note: Protection Class I , II ,III respectively represent IP23, IP44, IP 54

KQSN300- M(N)4 Technical Data

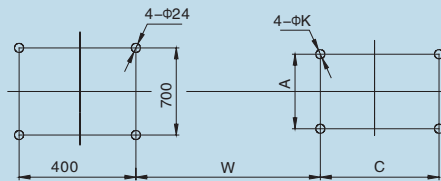


Model	Standard (mm)	Capacity		Head (m)	Speed (r/min)	Power(kW)		Efficiency %	(NPSH) _r (m)	Weight (kg)
		(m ³ /h)	(l/s)			Shaft Power	Moter Power			
KQSN300-M4	690	504	140.0	163	1480	294.3	*560/500	76	4.6	1003
		840	233.3	160		435.6		84		
		1008	280.0	152		508.6		82		
	665	484	134.4	152	1480	267.0	*500/450	75	4.5	1000
		806	224.0	147		390.2		83		
		968	268.8	140		455.5		81		
	652	464	129.0	140	1480	239.3	450	74	4.4	998
774		215.0	136	349.4		82				
618	929	258.0	132	1480	417.4	*400/355	80	4.3	995	
	446	123.9	129		214.6		73			
592	743	206.4	125	1480	312.9	355	81	4.2	993	
	892	247.7	118		362.8		79			
559	428	118.9	120	1480	194.3	315	72	4.1	990	
	713	198.2	115		280.3		80			
	559	856	237.8	108	1480	322.8		78		
		411	114.2	109		171.8		71		
	559	685	190.3	106	1480	251.2		79		
		822	228.3	103		299.4		77		
KQSN300-N4	690	414	115	150	1480	313.4	*450/400	70	4.2	1001
		690	191.7	144		342.4		84		
		828	230.0	139		412.2		76		
	665	397	110	142	1480	292.9	355	68	4.1	999
		662	184.0	133		288.4		83		
		795	220.8	128		345.5		80		
	638	382	106	131	1480	254.7	315	68	4.0	997
636		176.6	122	255.2		83				
612	763	212.0	117	1480	303.2	280	80	3.9	994	
	366	102	122		230.3		67			
585	610	169.6	113	1480	228.5	250	82	3.8	992	
	733	203.5	108		272.1		79			
559	352	98	111	1480	209.0	220	66	3.7	989	
	586	162.8	104		204.7		81			
	559	703	195.3	99	1480	242.5		78		
		338	94	102		186.7		65		
	559	563	156.3	96	1480	183.4		80		
		675	187.5	91		216.8		77		

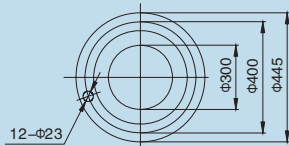
Note: * means that normally a motor with greater power is selected, and if the pump doesn't run at low head, a motor with a lower power can be selected.



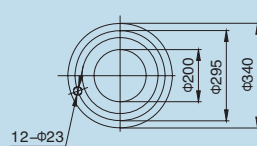
Foundation Dimensions without Base



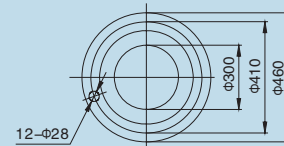
Suction Flange DN1
PN1.0Mpa



Discharge Flange DN2
PN2.5Mpa



Outlet Flange of Cone Pipe
PN1.0Mpa

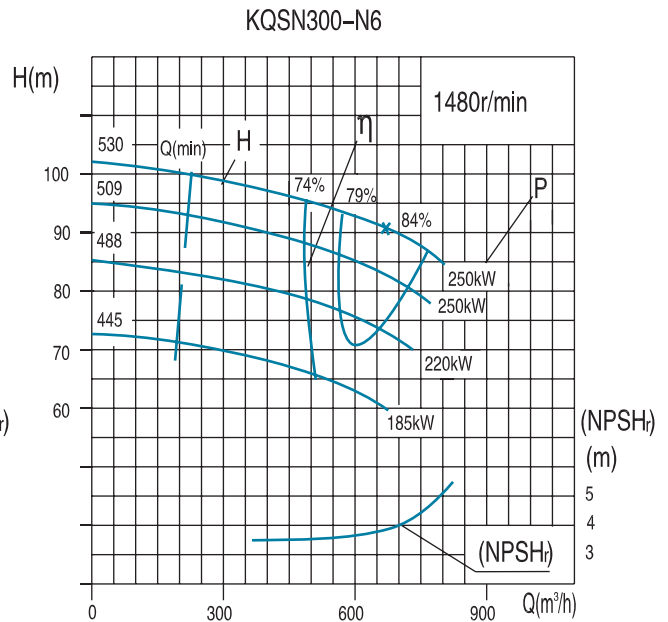
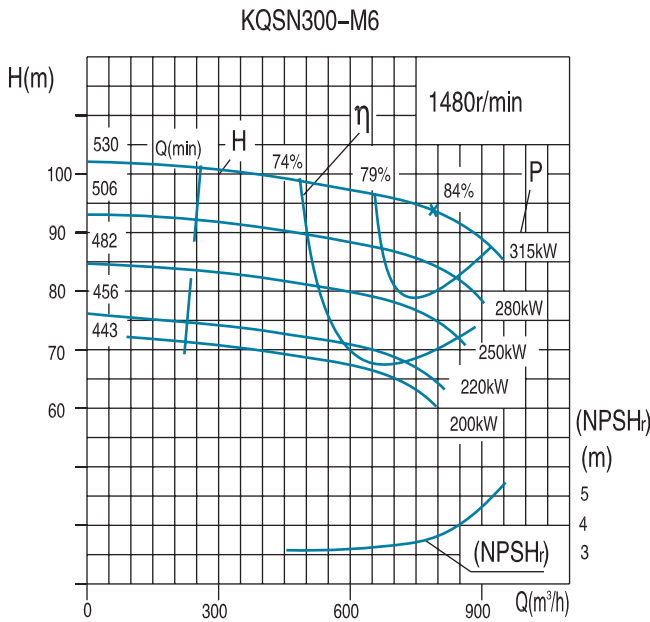


Length of Cone Pipe E=500

Model	Motor				Dimension (mm)										Weight (kg)	
	Model	Voltage	Class	Power (kW)	L	L1	L2	L3	B	H	W	A	C	K	Motor	Baseplate
KQSN300-M4/N4	Y355L1-4	380	I	355	3015	1690	595	2157	700	1565	1001.5	610	630	28	1630	588
	Y355M-4	380	I	315/280	2945	1620	580	2122	700	1565	1001.5	610	560	28	1530	580
	Y315M-4	380	I	250	2595	1270	560	2030	700	1450	923.5	508	457	28	1075	576
	Y400-4	6000	I / II	560~355	3265	1940	810	2788	840	1235	1082.5	710	1000	35	2520	601
	Y355-4	6000	I / II	315~250	3145	1820	810	2660	700	1225	1062.5	630	900	28	1870	590
	Y450-4	10000	I / II	560~250	3375	2050	880	2920	920	1300	1102.5	800	1120	35	3315	630
	Y400L-4	380	III / II	500	3245	1920	710	2510	700	1590	1027.5	686	710	35	3200	592
	Y400M-4	380	III / II	450/400	3245	1920	710	2510	700	1590	1027.5	686	630	35	3100	592
	Y400S-4	380	III / II	355	3245	1920	710	2510	700	1590	1027.5	686	630	35	2900	592
	Y355L-4	380	III / II	315/280	2858	1530	585	2117	700	1460	961.5	610	630	28	1870	568
Y355M-4	380	III / II	250	2858	1530	585	2117	700	1460	961.5	610	560	28	1720	568	

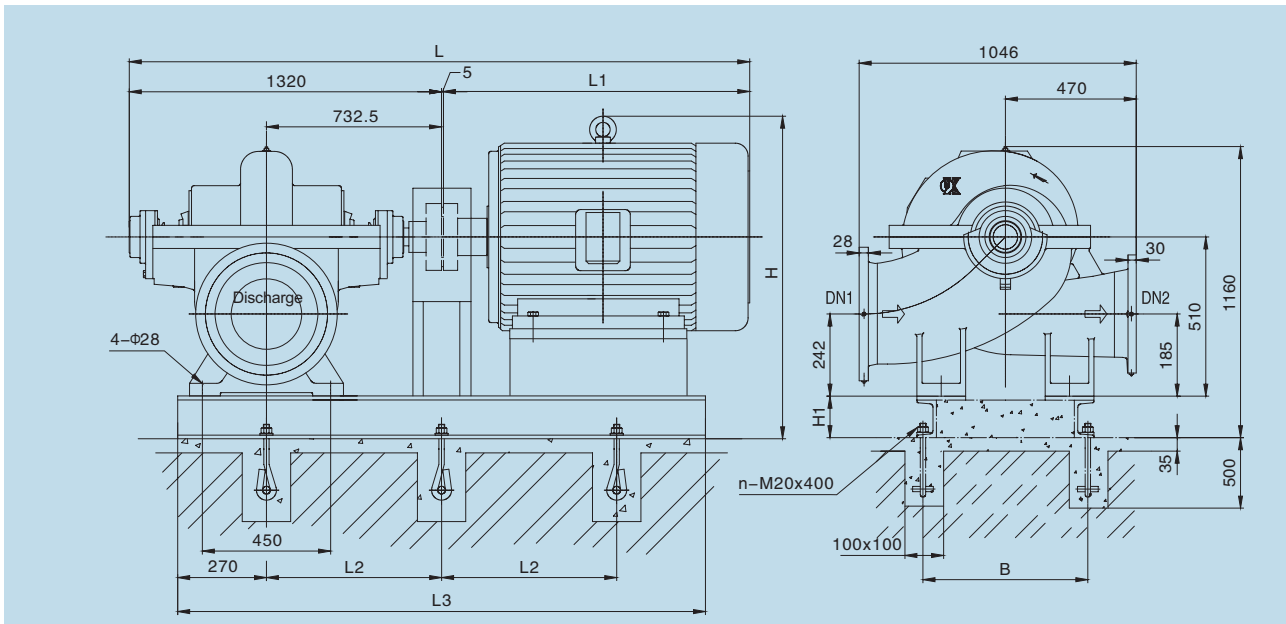
Note: Protection Class I, II, III respectively represent IP23, IP44, IP 54

KQSN300- M(N)6 Technical Data

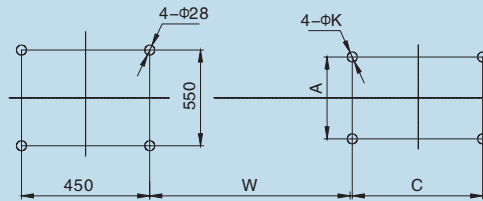


Model	Standard (mm)	Capacity		Head (m)	Speed (r/min)	Power(kW)		Efficiency %	(NPSH) _r (m)	Weight (kg)
		(m ³ /h)	(l/s)			Shaft Power	Motor Power			
KQSN300-M6	530	474	132	98	1480	171.0	*315/280	74	3.0	870
		800	222	94		243.2		84		
		948	263	86		277.5		80		
	509	455	126	91	1480	159.2	280	71	2.9	868
		758	211	86		220.3		81		
	482	431	120	82	1480	141.6	250	68	2.8	866
		719	200	78		194.9		78		
	456	408	113	73	1480	124.1	220	66	2.7	864
		679	189	69		169.9		76		
	443	398	111	70	1480	120.2	200	63	2.6	862
664		184	65	160.9		73				
KQSN300-N6	530	402	112	95	1480	156.0	250	67	3.5	865
		670	186	91		197.2		84		
		804	223	83		229.6		79		
	509	386	107	87	1480	142.3	250	65	3.4	863
		644	179	84		178.7		82		
		772	215	76		208.4		77		
	488	370	103	80	1480	131.3	220	62	3.3	861
		617	171	77		163.3		79		
	445	338	94	67	1480	105.1	185	59	3.2	859
		563	156	64		129.2		76		
676		188	59	151.4		71				

Note: * means that normally a motor with greater power is selected, and if the pump doesn't run at low head, a motor with a lower power can be selected.

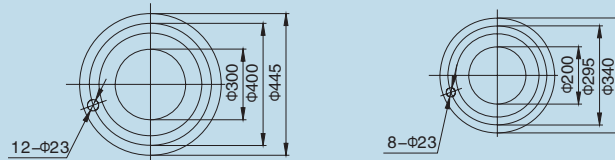


Foundation Dimensions without Base



Suction flange DN1 and Outlet Flange of Cone Pipe PN1.0 Mpa

Discharge flange DN2 PN1.0 Mpa

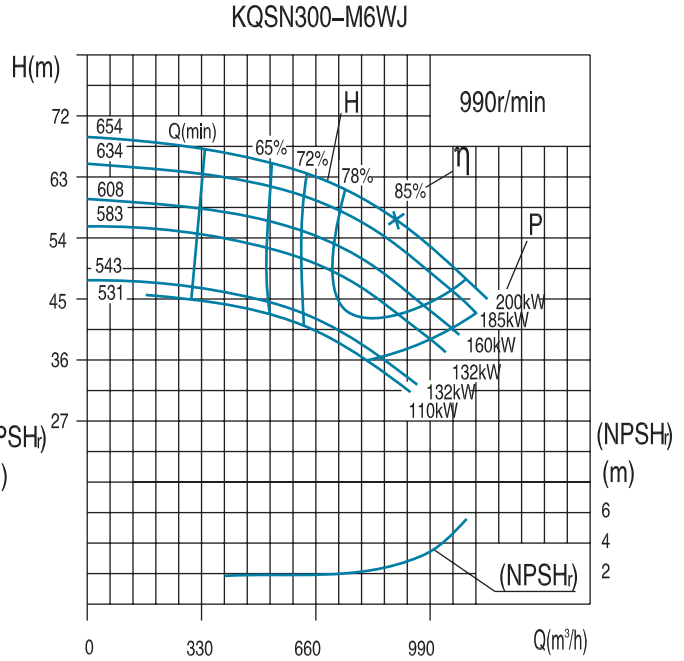
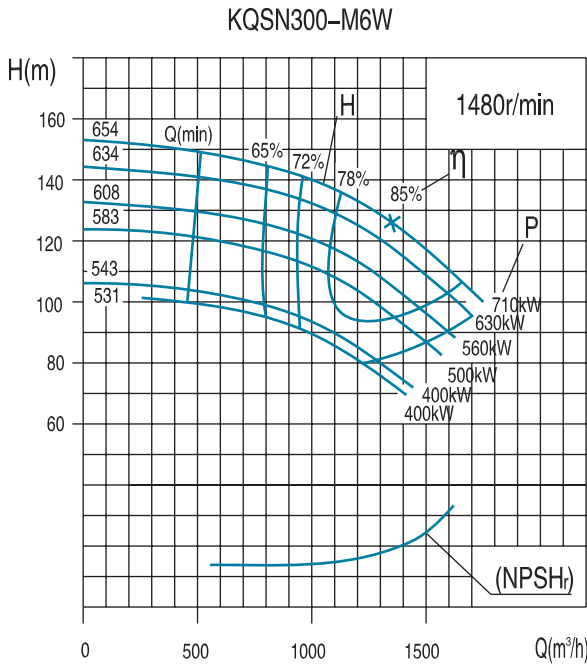


Length of Cone Pipe E=500

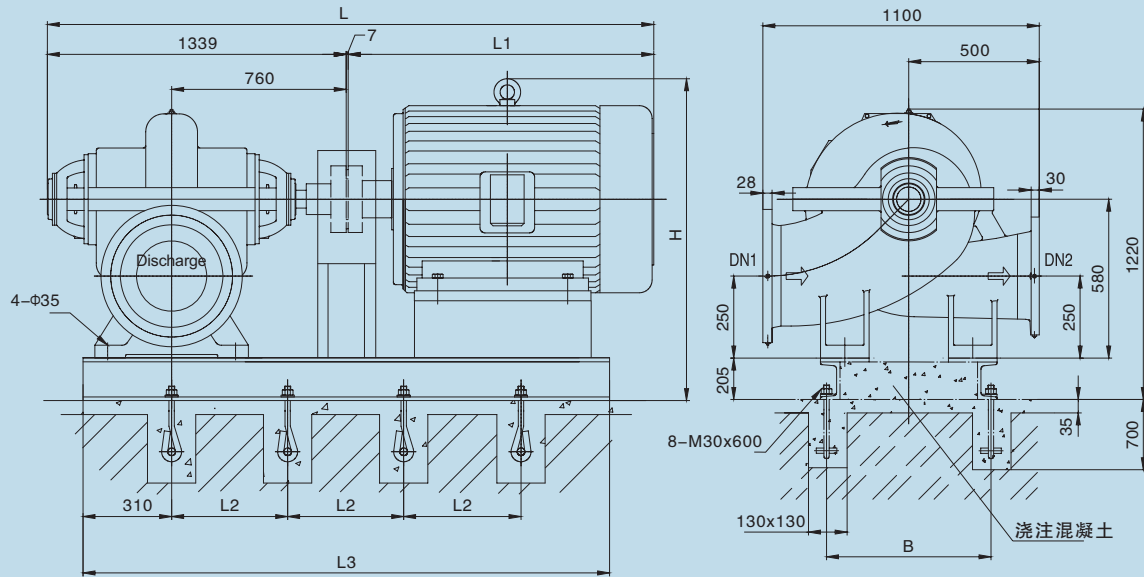
Model	Motor				Dimension (mm)												Weight (kg)		The number of anchor bolts n
	Model	Voltage	Class	Power (kW)	L	L1	L2	L3	B	H	H1	W	A	C	K	Motor	Baseplate		
KQSN300-M6/N6	Y355M-4	380	I	315/280	2945	1620	810	2160	700	1455	180	976.5	610	560	28	1530	514	6	
	Y315M-4	380	I	250~200	2595	1270	730	2000	560	1285	160	898.5	508	457	28	1075	509	6	
	Y355-4	6000	I / II	315	3145	1820	860	2660	750	1115	180	1037.5	630	900	28	2100	521	6	
	Y355-4	6000	I / II	280~200	3145	1820	860	2660	750	1115	180	1037.5	630	900	28	2050	521	6	
	Y450-4	10000	I / II	315~200	3375	2050	830	2920	920	1190	180	1077.5	800	1120	35	2790	550	8	
	Y355L-4	380	III / II	315	2895	1570	810	2160	700	1365	180	936.5	610	630	28	1870	514	6	
	Y355L-4	380	III / II	280	2895	1570	810	2160	700	1365	180	936.5	610	630	28	1870	514	6	
	Y355M2-4	380	III / II	250	2895	1570	810	2160	700	1365	180	936.5	610	560	28	1720	514	6	
	Y355M1-4	380	III / II	220	2895	1570	810	2160	700	1365	180	936.5	610	560	28	1720	514	6	
	Y315L2-4	380	III / II	200/185	2665	1340	730	2000	560	1220	160	898.5	508	508	28	1170	509	6	

Note: Protection Class I, II, III respectively represent IP23, IP44, IP 54

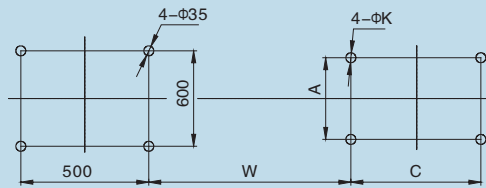
KQSN300- M6W(J) Technical Data



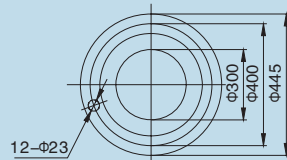
Model	Standard (mm)	Capacity		Head (m)	Speed (r/min)	Power(kW)		Efficiency %	(NPSH)r (m)	Weight (kg)
		(m³/h)	(l/s)			Shaft Power	Moter Power			
KQSN300-M6W	654	810	225.0	148	1480	487.1	710	67	4.0	1312
		1350	375.0	126		545.0		85		
		1620	450.0	106		632.0		74		
	634	786	218.3	139	1480	451.3	630	66	3.9	1310
		1310	363.8	120		509.5		84		
		1571	436.5	98		574.6		73		
	608	762	211.7	128	1480	408.6	560	65	3.8	1308
		1270	352.8	110		464.0		82		
		1524	423.4	90		519.5		72		
	583	739	205.4	117	1480	368.6	500	64	3.7	1306
		1232	342.3	103		427.3		81		
		1479	410.7	83		468.0		71		
543	717	199.2	102	1480	321.0	450	62	3.6	1304	
	1195	332.0	88		367.2		78			
	1434	398.4	72		406.3		69			
531	696	193.2	97	1480	301.4	400	61	3.5	1302	
	1159	322.0	85		348.5		77			
	1391	386.4	68		380.8		68			
KQSN300-M6WJ	654	542	150.5	65	990	142.8	200	67	2.5	1312
		903	250.8	56		163.1		85		
		1084	301.0	48		191.1		74		
	634	525	145.9	61	990	132.1	185	66	2.4	1310
		875	243.2	53		150.4		84		
		1051	291.8	45		176.5		73		
	608	504	139.9	56	990	118.3	160	65	2.3	1308
		840	233.2	49		135.9		82		
		1007	279.8	41		157.8		72		
	583	483	134.2	52	990	105.9	132	64	2.2	1306
		805	223.6	45		121.2		81		
		966	268.3	35		129.7		71		
543	450	125.0	45	990	88.3	132	62	2.1	1304	
	750	208.3	39		101.7		78			
	900	249.9	33		117.3		69			
531	440	122.1	43	990	83.7	110	61	2.0	1302	
	733	203.5	37		96.1		77			
	879	244.2	31		109.1		68			



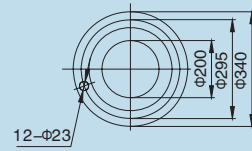
Foundation Dimensions without Base



Suction Flange DN1
PN1.0Mpa



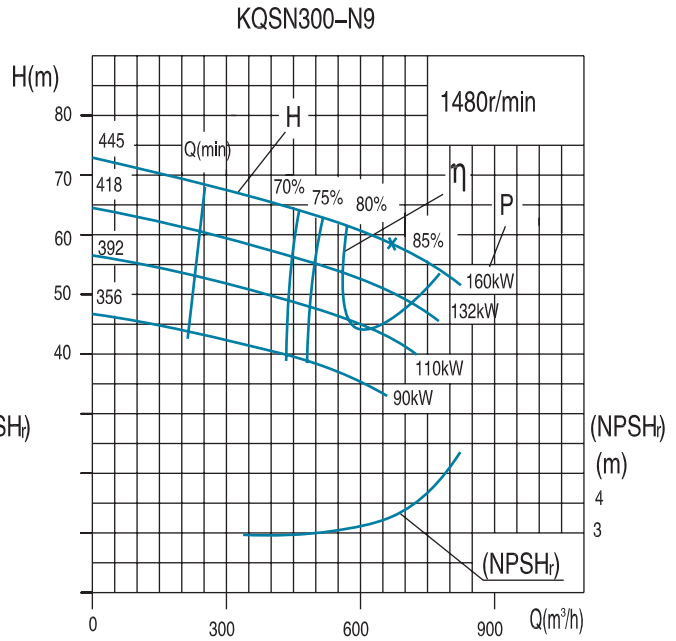
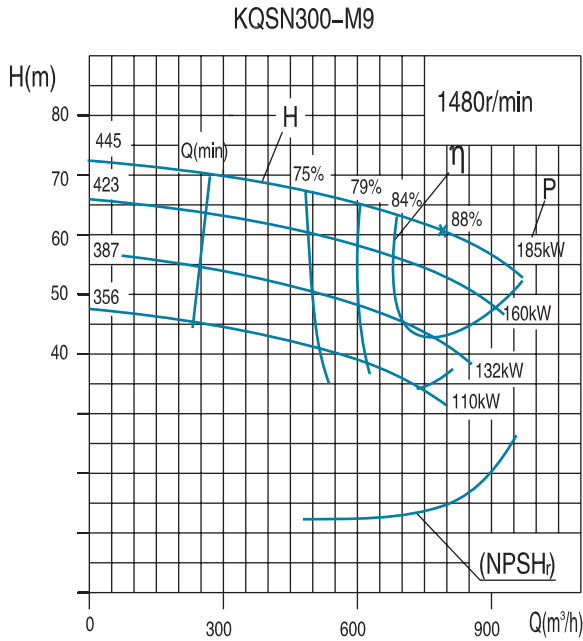
Discharge Flange DN2
PN1.6Mpa



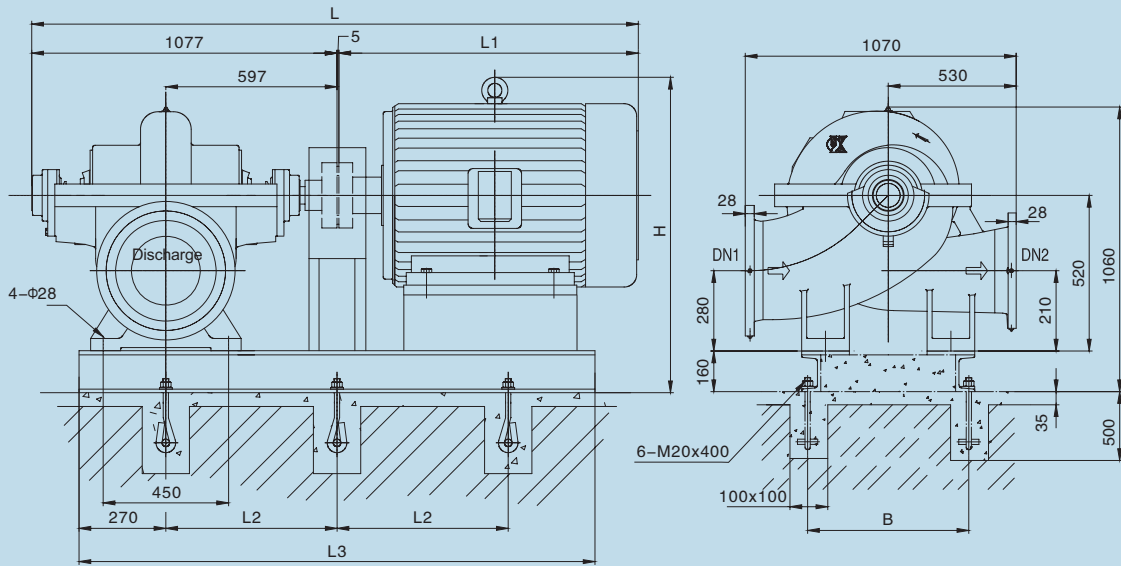
Model	Motor				Dimension (mm)										Weight (kg)	
	Model	Voltage	Class	Power (kW)	L	L1	L2	L3	B	H	W	A	C	K	Motor	Baseplate
KQSN300-M6WJ	YKK400-4	6000	III/II	400~450	3482	2250	770	2925	800	1845	1062	710	1000	35	3060	640
	YKK450-4	6000	III/II	500~710	3442	2210	810	3050	1000	1995	1082	800	1120	35	4890	700
	YKK450-4	10000	III/II	400~500	3582	2350	810	3050	1000	1995	1082	800	1120	35	4185	700
	YKK500-4	10000	III/II	560~710	3732	2500	860	3190	1100	2135	1202	900	1250	42	4700	750

Note: Protection Class I, II, III respectively represent IP23, IP44, IP 54

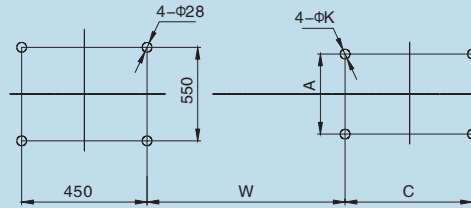
KQSN300- M(N)9 Technical Data



Model	Standard (mm)	Capacity		Head (m)	Speed (r/min)	Power(kW)		Efficiency %	(NPSH) _r (m)	Weight (kg)
		(m³/h)	(l/s)			Shaft Power	Moter Power			
KQSN300-M9	445	474	131.7	68	1480	118.1	185	74	3.8	606
		790	219.4	61		149.1		88		
		972	270.0	53		167.0		84		
	423	450	125.1	61	104.1	160	72	3.7	604	
		751	208.5	55	129.6		86			
	387	923	256.5	47	144.2	132	82	3.6	602	
		412	114.6	51	82.2		70			
	356	687	190.9	46	101.9	110	84	3.5	600	
846		234.9	39	113.5	80					
379		105.3	43	65.8	68					
KQSN300-N9	445	632	175.6	39	1480	81.2	90	82	3.2	599
		778	216.0	33		90.5		78		
		402	111.7	66		112.2		64		
	418	670	186.2	59	126.8	132	85	3.4	603	
		825	229.1	52	145.8		80			
		378	105.0	58	96.2		62			
	392	630	175.0	52	107.9	110	83	3.3	601	
		775	215.3	46	124.2		78			
	356	354	98.3	51	81.5	90	60	3.2	599	
		590	163.9	46	90.7		81			
		726	201.7	40	104.6		76			
	356	322	89.4	42	63.4	90	58	3.2	599	
536		149.0	38	69.9	79					
660		183.3	33	80.7	74					

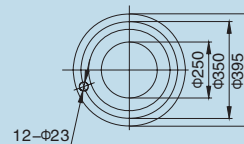
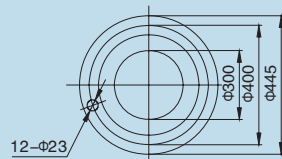


Foundation Dimensions without Base



Suction flange DN1 and Outlet Flange of Cone Pipe PN1.0 Mpa

Discharge flange DN2 PN1.0 Mpa

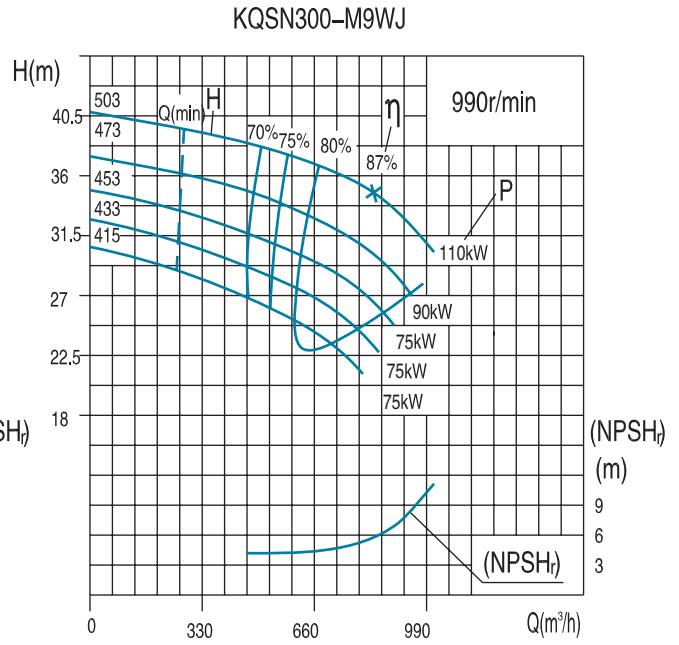
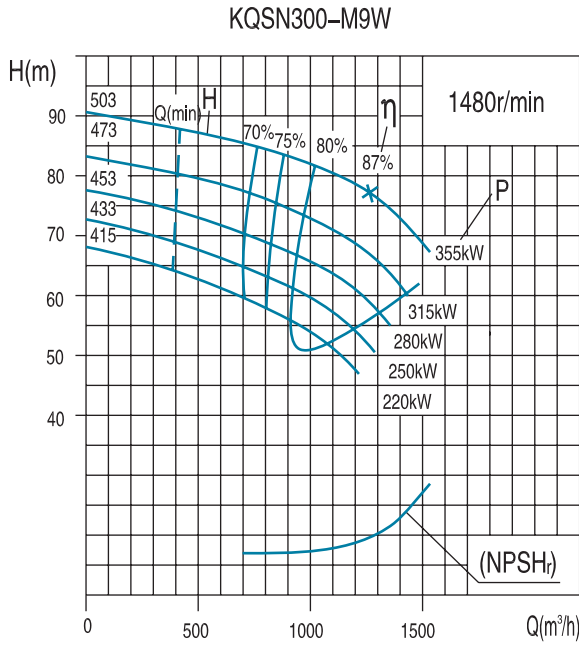


Length of Cone Pipe E=300

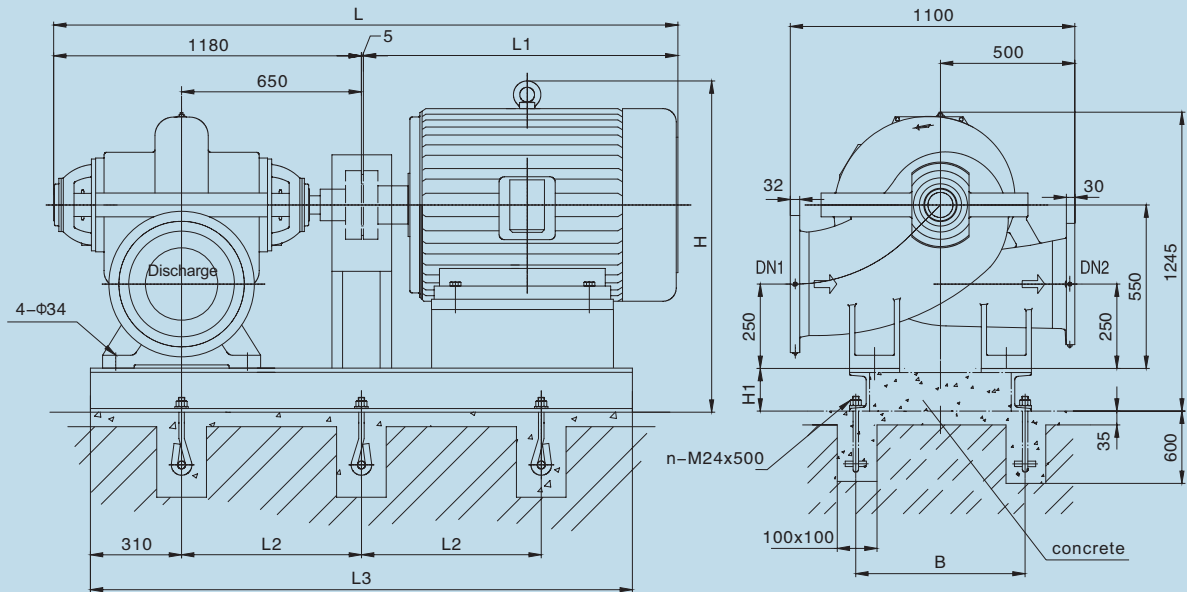
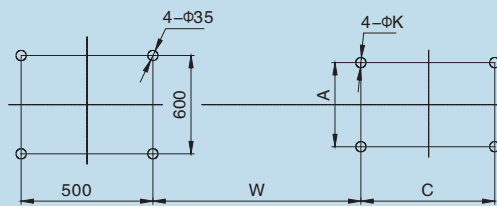
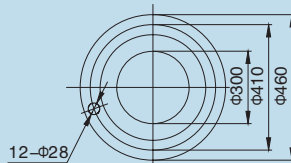
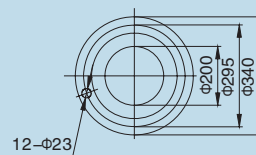
Model	Motor				Dimension (mm)										Weight (kg)	
	Model	Voltage	Class	Power (kW)	L	L1	L2	L3	B	H	W	A	C	K	Motor	Baseplate
KQSN300-M9/N9	Y315M-4	380	I	185	2352	1270	730	1840	560	1295	763	508	457	28	985	390
	Y315S-4	380	I	160	2242	1160	730	1790	560	1295	763	508	406	28	870	387
	Y280M-4	380	I	132/110	2222	1140	600	1750	560	1185	737	457	419	24	820	386
	Y315L-4	380	III/II	185/160	2422	1340	730	1860	560	1220	763	508	508	28	1170	390
	Y315M-4	380	III/II	132	2422	1340	730	1840	560	1220	763	508	457	28	1010	390
	Y315S-4	380	III/II	110	2352	1270	730	1790	560	1220	763	508	406	28	930	387
	Y280M-4	380	III/II	90	2132	1050	600	1720	560	1020	707	457	419	24	600	385

Note: Protection Class I, II, III respectively represent IP23, IP44, IP 54

KQSN300- M9W(J) Technical Data



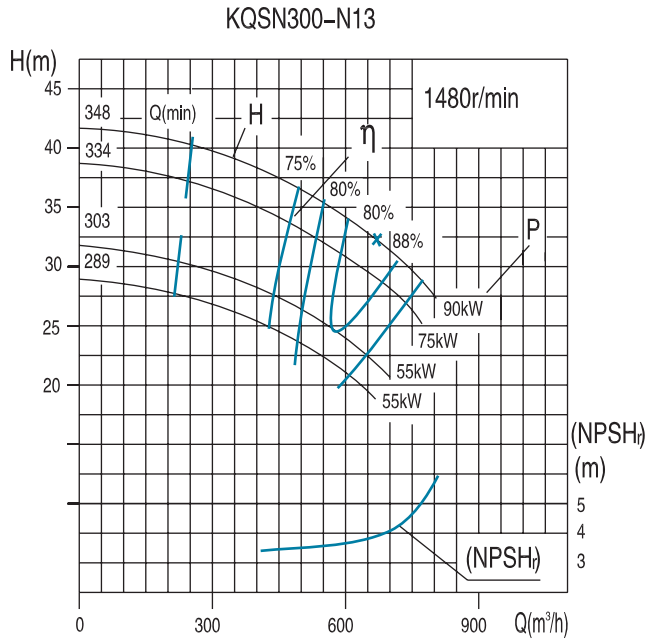
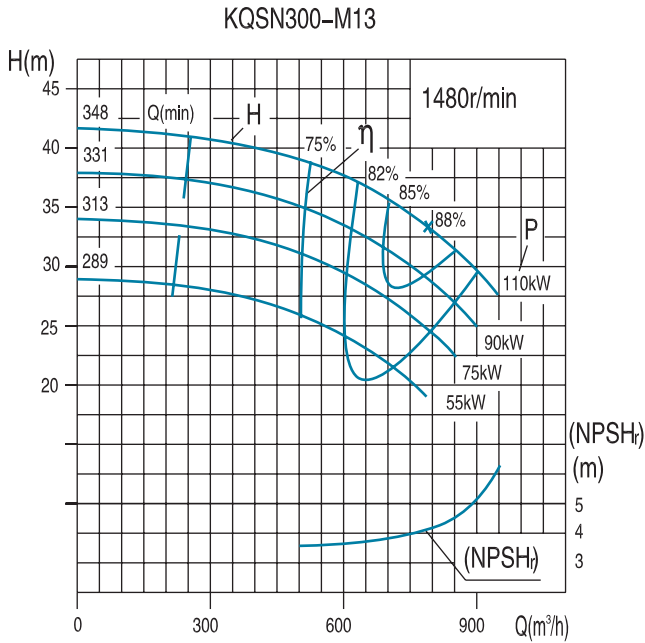
Model	Standard (mm)	Capacity		Head (m)	Speed (r/min)	Power(kW)		Efficiency %	(NPSH) _r (m)	Weight (kg)
		(m³/h)	(l/s)			Shaft Power	Moter Power			
KQSN300-M9W	503	756	210.0	86	1480	252.9	355	70	5.3	1110
		1260	350.0	77		303.7		87		
		1512	420.0	68		345.7		81		
	473	711	197.4	77	1480	216.0	315	69	5.1	1108
		1184	329.0	69		258.9		86.0		
	453	680	189.0	71	1480	193.5	280	68	4.9	1106
		1134	315.0	63		231.3		85		
	433	650	180.6	62	1480	164.9	250	67	4.7	1104
		1084	301.0	58		204.2		84		
	415	624	173.3	57	1480	147.8	220	66	4.5	1102
1040		288.8	53	182.5		83				
415	1247	346.5	46	1480	202.9	220	77	4.5	1102	
KQSN300-M9WJ	503	506	140.5	40	990	78.0	110	70	5.3	1110
		843	234.1	34		90.9		87		
		1011	280.9	29		99.6		81		
	473	475	132.0	35	990	65.7	90	69	5.1	1108
		792	220.1	30		76.4		86.0		
	453	951	264.1	26	990	83.7	75	80	4.9	1106
		455	126.4	32		58.5		68		
	433	759	210.7	28	990	68.2	75	85	4.7	1104
		910	252.9	24		74.4		79		
	415	435	120.8	29	990	51.8	75	67	4.5	1102
725		201.3	25	60.2		84				
415	870	241.6	22	990	65.8	75	78	4.5	1102	
	417	115.9	27		46.4		66			
415	695	193.2	23	990	53.8	75	83	4.5	1102	
	834	231.8	20		58.8		77			


Foundation Dimensions without Base

**Suction Flange DN1
PN1.6Mpa**

**Discharge Flange DN2
PN1.6Mpa**


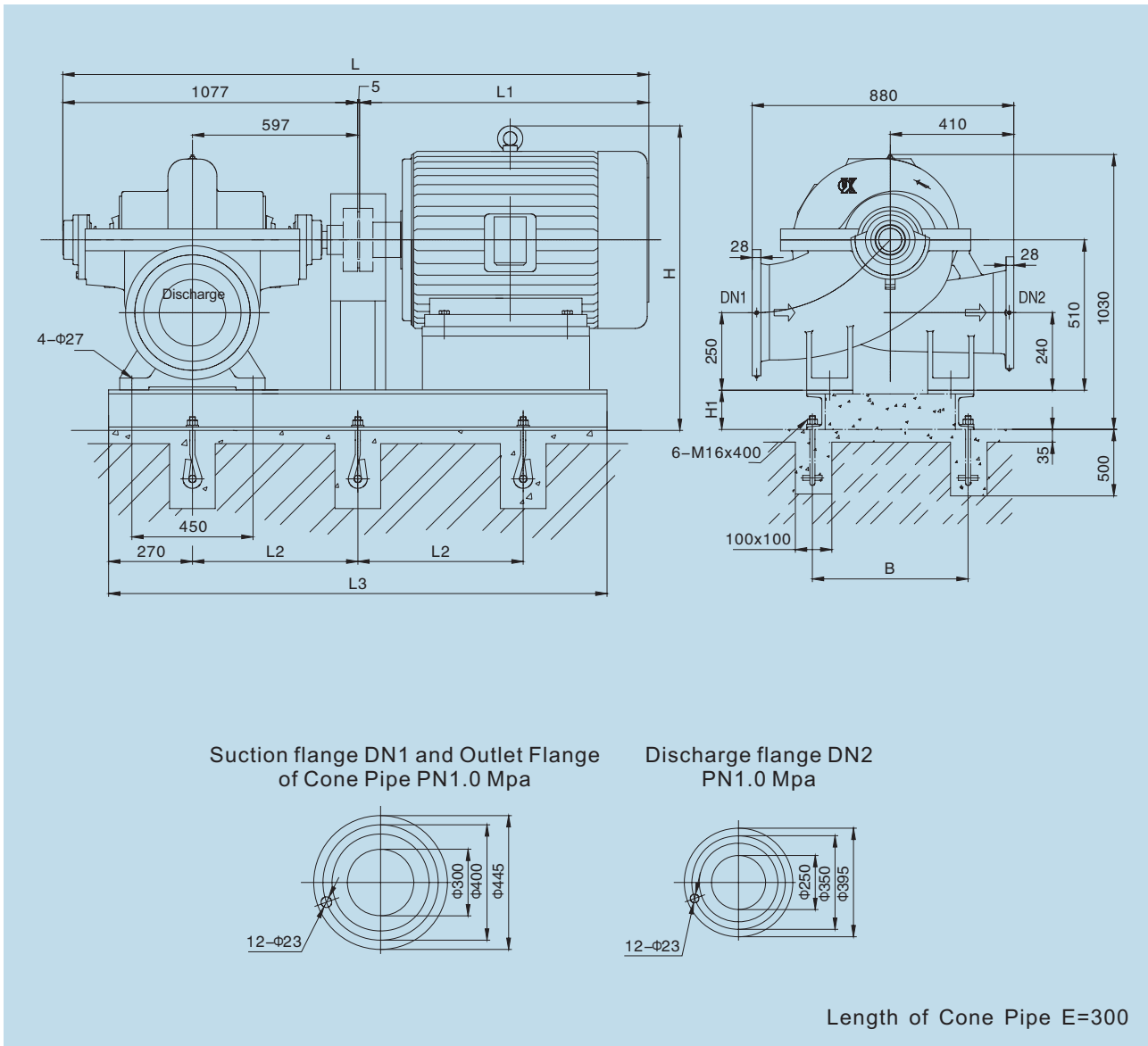
Model	Motor				Dimension (mm)											Weight (kg)		The number of anchor bolts
	Model	Voltage	Class	Power (kW)	L	L1	L2	L3	B	H	H1	W	A	C	K	Motor	Baseplate	
KQSN300-M9W	Y355L1-4	380	I	355	2875	1690	750	2140	700	1520	205	869	610	630	28	1630	516	6
	Y355M-4	380	I	315/280	2805	1620	750	2140	700	1520	205	869	610	560	28	1530	516	6
	Y315M-4	380	I	250~185	2455	1270	640	1915	620	1500	185	791	508	457	28	1075	514	6
	YKK355-4	6000	III/II	220~250	3255	2070	690	2700	740	1820	205	930	630	900	28	2650	550	8
	YKK400-4	6000	III/II	280~355	3435	2250	730	2810	920	1815	205	950	710	1000	35	2870	570	8
	YKK450-4	10000	III/II	220~355	3395	2210	770	2940	920	1965	205	970	800	1120	35	4200	600	8
	Y400S-4	380	III/II	355	3105	1920	650	2510	750	1450	205	895	610	630	28	1870	525	6
	Y355L-4	380	III/II	315/280	2755	1570	750	2140	700	1430	205	829	610	630	28	1870	516	6
Y355M-4	380	III/II	250/220	2755	1570	750	2065	700	1430	205	829	610	560	28	1720	512	6	

Note: Protection Class I, II, III respectively represent IP23, IP44, IP 54

KQSN300- M(N)13 Technical Data



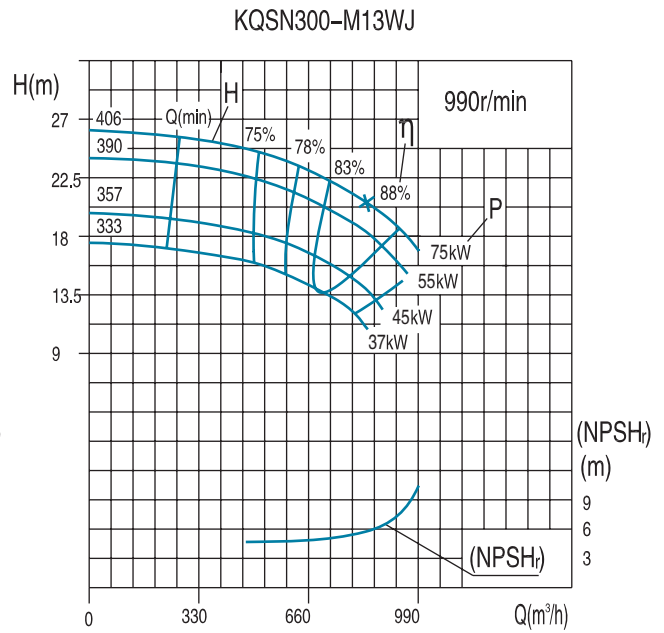
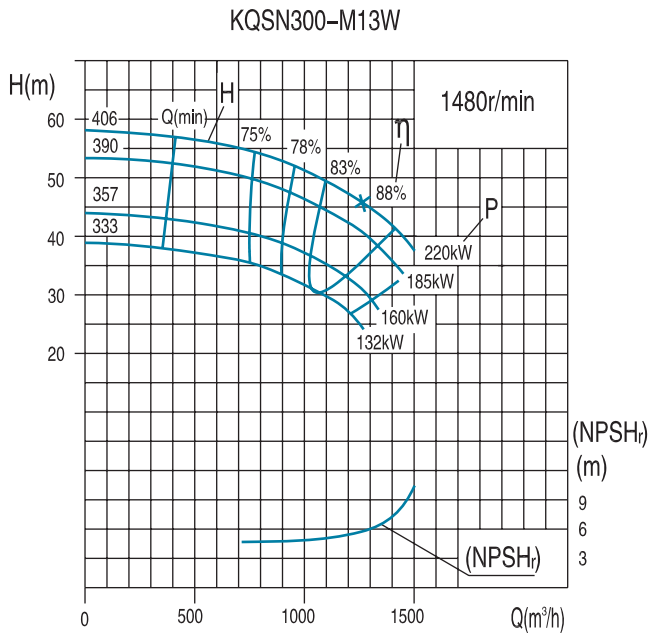
Model	Standard (mm)	Capacity		Head (m)	Speed (r/min)	Power(kW)		Efficiency %	(NPSH) _r (m)	Weight (kg)
		(m ³ /h)	(l/s)			Shaft Power	Moter Power			
KQSN300-M13	348	474	131.7	40	1480	71.0	110	72	4.1	536
		790	219.4	34		83.1		88		
		948	263.3	28		85.9		83		
	331	450	125.1	36	1480	61.7	90	71	4.0	534
		751	208.5	30		70.7		87		
	313	901	250.2	25	1480	74.5	75	82	3.9	532
		427	118.5	32		53.2		70		
	289	711	197.5	27	1480	60.8	55	86	3.8	530
853		237.0	22	64.1		81				
KQSN300-N13	348	393	109.3	27	1480	42.3	55	69	3.7	529
		656	182.1	23		48.2		85		
		787	218.6	19		50.9		80		
	334	402	111.7	38	1480	64.8	90	65	4.0	535
		670	186.2	33		68.3		88		
		804	223.4	27		72.1		82		
	303	386	107.2	35	1480	58.2	75	64	3.9	533
		644	178.8	30		61.1		87		
289	772	214.4	25	1480	64.6	55	81	3.8	531	
	350	97.2	29		44.0		63			
289	583	161.9	25	1480	46.0	55	86	3.8	531	
	700	194.4	20		48.7		80			
	334	92.7	26		38.8		62			
289	556	154.5	23	1480	40.4	55	85	3.7	529	
	668	185.5	19		42.8		79			



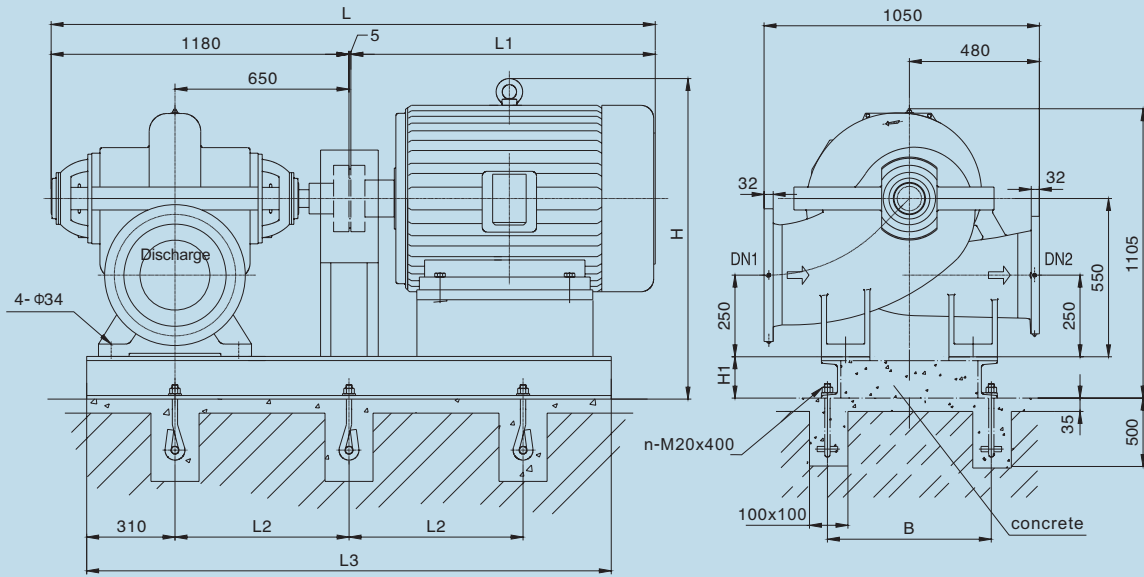
Model	Motor				Dimension (mm)							Weight (kg)	
	Model	Voltage	Class	Power (kW)	L	L1	L2	L3	B	H	H1	Motor	Baseplate
KQSN300-M13/N13	Y315S-4	380	III/II	110	2352	1270	650	1775	560	1210	160	930	387
	Y280M-4	380	III/II	90	2132	1050	600	1720	560	1030	160	600	300
	Y280S-4	380	III/II	75	2082	1000	600	1670	560	1030	160	510	297
	Y250M-4	380	III/II	55	2012	930	530	1620	560	975	140	385	296

Note: Protection Class I, II, III respectively represent IP23, IP44, IP 54

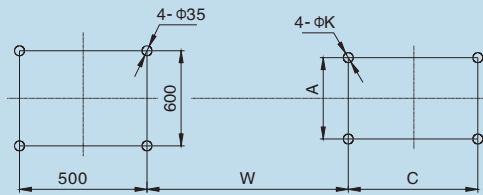
KQSN300- M13W(J) Technical Data



Model	Standard (mm)	Capacity		Head (m)	Speed (r/min)	Power(kW)		Efficiency %	(NPSH) _r (m)	Weight (kg)
		(m ³ /h)	(l/s)			Shaft Power	Moter Power			
KQSN300-M13W	406	756	210.0	54	1480	148.7	220	75	5.3	1020
		1260	350.0	46		178.7		88		
		1512	420.0	38		197.9		80		
	390	726	201.6	50	1480	133.3	185	74	5.2	1018
		1210	336.0	42		160.9		86.5		
		1452	403.2	34		168.1		79		
	357	665	184.8	42	1480	105.6	160	72	5.1	1016
		1109	308.0	35		127.6		84		
		1331	369.6	28		132.9		77		
	333	620	172.2	36	1480	87.9	132	70	5.0	1015
		1033	287.0	31		104.5		83		
		1240	344.4	25		110.4		75		
KQSN300-M13WJ	406	506	140.5	24	990	43.3	75	75	3.0	1020
		843	234.1	21		53.5		88		
		1011	280.9	17		60.0		80		
	390	485	134.9	22	990	38.8	55	74	2.9	1018
		809	224.8	19		48.2		86.5		
		971	269.7	16		53.8		79		
	357	445	123.6	18	990	30.7	45	72	2.8	1016
		742	206.0	16		38.2		84		
		890	247.2	14		42.5		77		
	333	415	115.2	16	990	25.6	37	70	2.7	1015
		691	192.0	14		31.3		83		
		829	230.4	12		35.3		75		

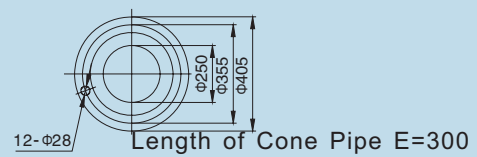
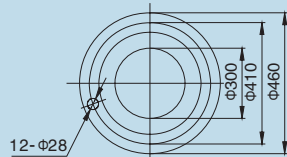


Foundation Dimensions without Base



Suction Flange DN1
PN1.6Mpa

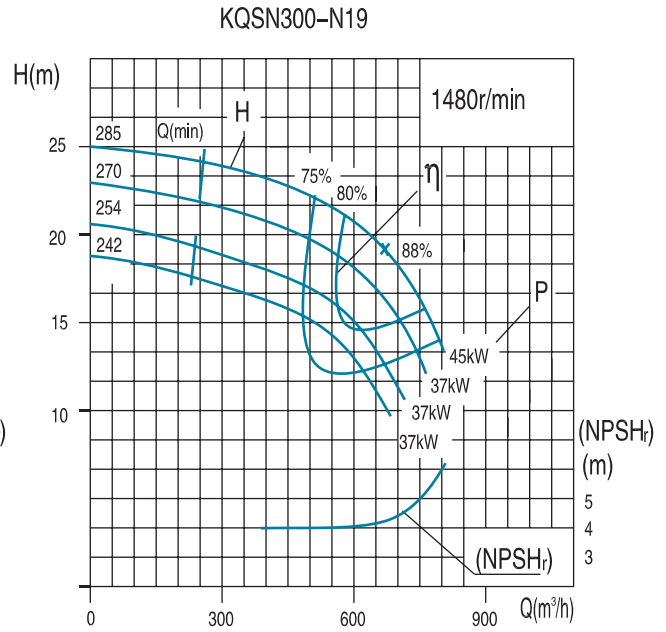
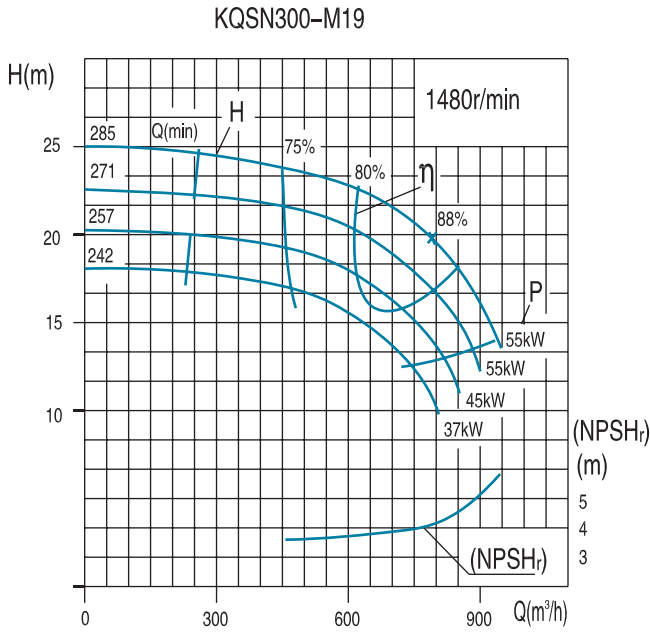
Discharge Flange DN2
PN1.6Mpa



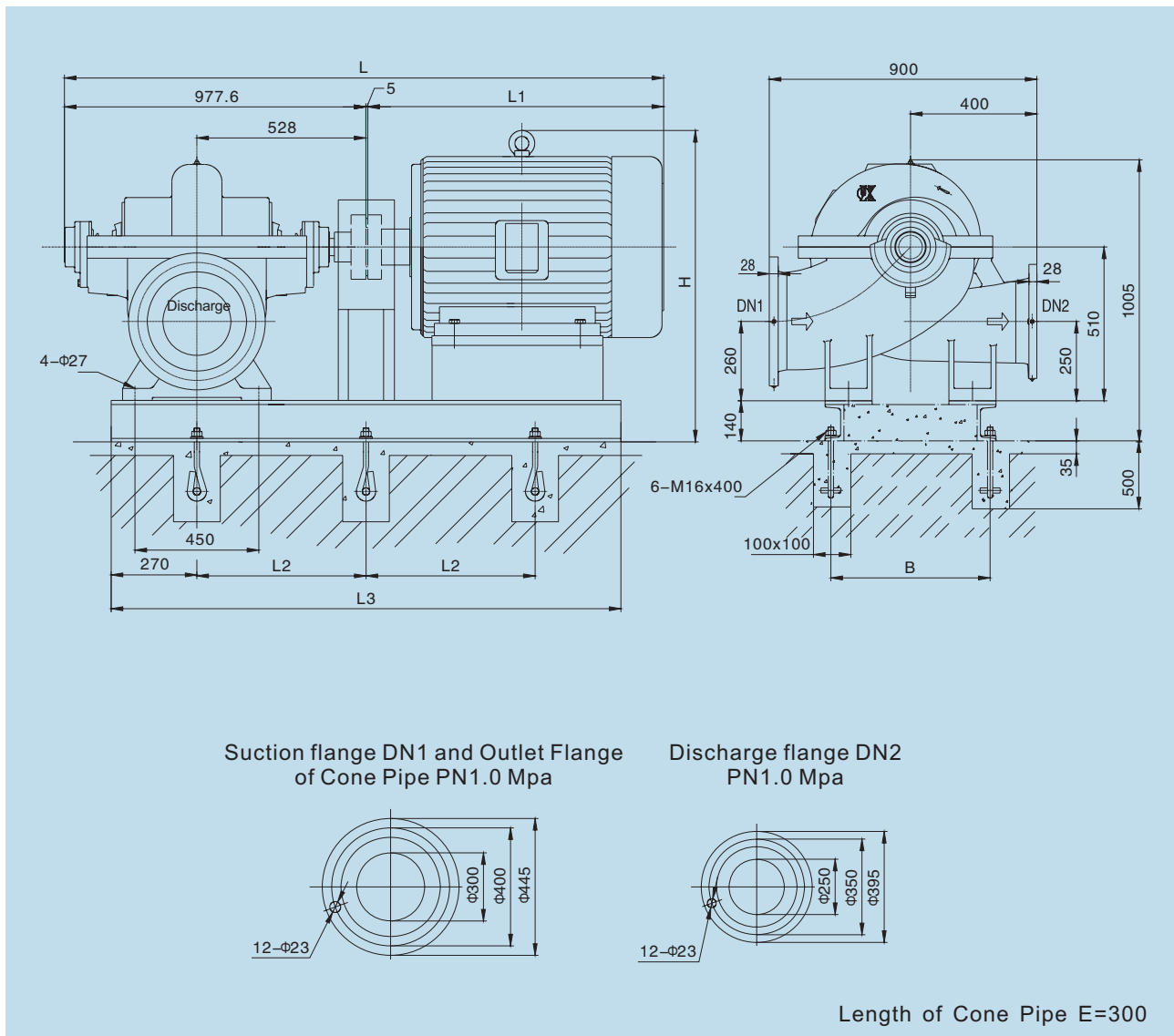
Model	Motor				Dimension (mm)											Weight (kg)		The number of anchor bolts
	Model	Voltage	Class	Power (kW)	L	L1	L2	L3	B	H	H1	W	A	C	K	Motor	Baseplate	n
KQSN300-M13W	Y315M-4	380	I	185~220	2455	1270	640	1915	620	1265	185	791	508	457	28	990	435	6
	Y315S-4	380	I	160	2345	1160	640	1865	620	1265	185	791	508	406	28	870	433	6
	Y280M-4	380	I	132/110	2325	1140	600	1865	620	1155	165	765	457	419	24	820	435	6
	YKK355-4	6000	III/II	185-220	3255	2070	690	2690	740	1820	205	930	630	900	28	2600	560	8
	YKK450-4	10000	III/II	220	3395	2210	775	2940	920	1965	205	970	800	1120	35	3700	590	8
	Y355M-4	380	III/II	220	2755	1570	750	2065	700	1430	205	829	610	560	28	1720	513	6
	Y315L-4	380	III/II	200~160	2525	1340	640	1985	620	1200	185	791	508	508	28	1170	438	6
Y315M-4	380	III/II	132	2525	1340	640	1915	620	1200	185	791	508	457	28	1010	436	6	

Note: Protection Class I, II, III respectively represent IP23, IP44, IP 54

KQSN300- M(N)19 Technical Data



Model	Standard (mm)	Capacity		Head (m)	Speed (r/min)	Power(kW)		Efficiency %	(NPSH) _r (m)	Weight (kg)
		(m ³ /h)	(l/s)			Shaft power	Moter Power			
KQSN300-M19	285	474	131.7	24	1480	39.7	55	78	4.1	508
		790	219.4	20		48.4		88		
		948	263.3	14		43.2		81		
	271	450	125.1	22	1480	35.4	55	75	4.0	506
		751	208.5	18		43.0		85		
	257	901	250.2	12	1480	38.4	45	78	3.9	504
		427	118.5	19		31.3		72		
	242	711	197.5	16	1480	37.9	37	82	3.8	502
853		237.0	11	34.0		75				
KQSN300-N19	285	402	111.7	23	1480	27.5	45	69	4.2	507
		670	186.2	19		33.1		79		
		804	223.4	13		29.8		72		
	270	382	106.4	20	1480	36.2	37	70	4.1	505
		637	176.9	16		31.0		67		
	254	764	212.2	12	1480	32.6	37	85	3.9	503
		358	99.4	18		32.4		77		
	242	597	165.8	15	1480	27.9	37	64	3.7	501
716		198.9	11	30.1		82				
	684	342	95.0	17	1480	27.6	37	74	3.7	501
		570	158.3	14		25.5		61		
		684	189.9	10		25.1	71			

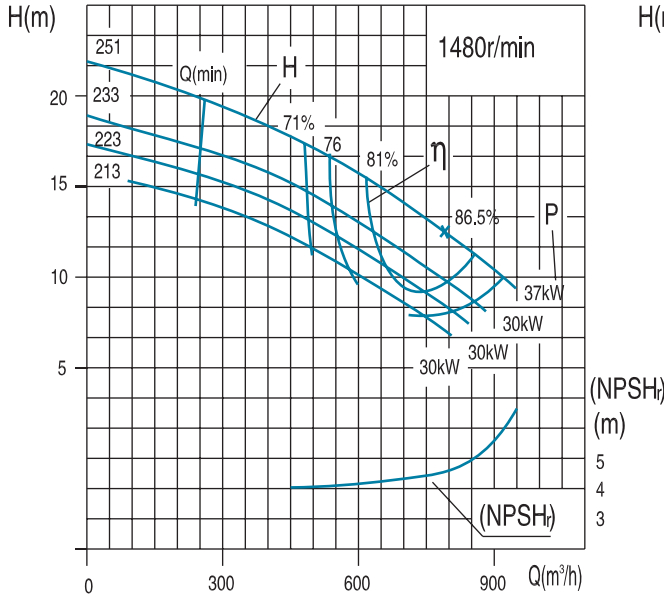


Model	Motor				Dimension (mm)						Weight (kg)	
	Model	Voltage	Class	Power (kW)	L	L1	L2	L3	B	H	Motor	Baseplate
KQSN300-M19/N19	Y250M-4	380	III/II	55	1915	930	530	1540	560	975	385	220
	Y225M-4	380	III/II	45	1830	845	450	1440	560	975	322	215
	Y225S-4	380	III/II	37	1805	820	450	1440	560	975	287	215

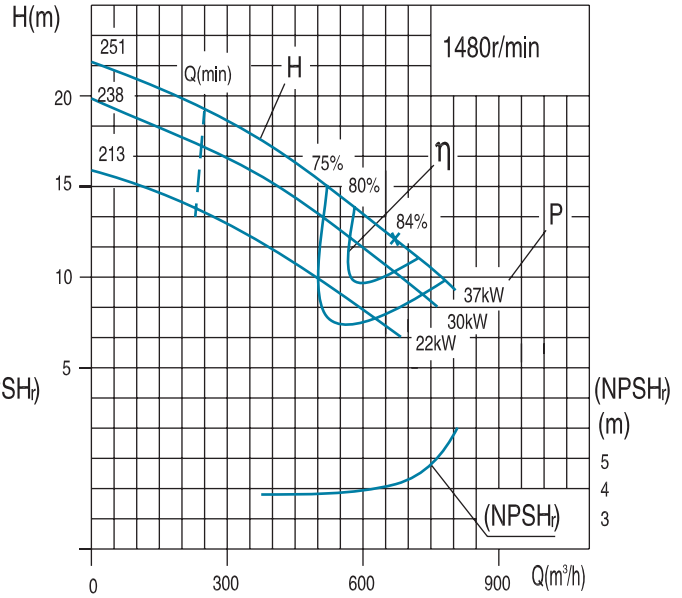
Note: Protection Class I, II, III respectively represent IP23, IP44, IP 54

KQSN300- M(N)27 Technical Data

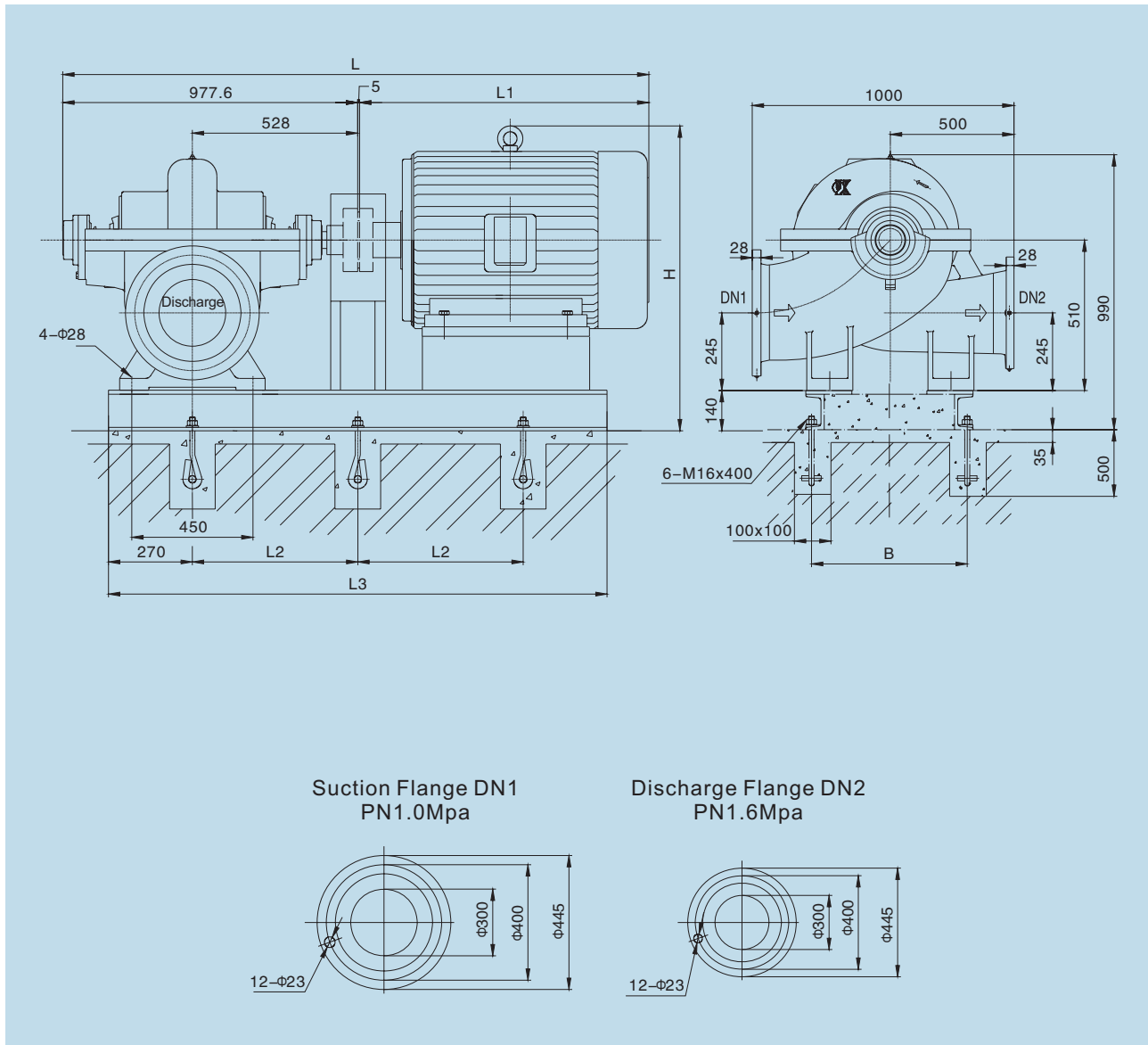
KQS300-M27



KQS300-N27



Model	Standard (mm)	Capacity		Head (m)	Speed (r/min)	Power(kW)		Efficiency %	(NPSH) _r (m)	Weight (kg)
		(m ³ /h)	(l/s)			Shaft Power	Moter Power			
KQSN300-M27	251	474	131.7	18	1480	31.8	37	72	4.6	476
		790	219.4	13		31.1		86.5		
		948	263.3	10		31.9		81		
	233	441	122.5	15	1480	26.3	30	70	4.4	475
		735	204.1	11		25.6		85		
	223	422	117.2	14	1480	23.7	30	68	4.3	474
		703	195.3	10		23.0		83		
	213	403	111.9	13	1480	21.3	30	66	4.2	473
672		186.5	9	20.5		81				
806		223.8	7	19.8		75				
KQSN300-N27	251	402	111.7	17	1480	29.8	37	63	4.2	475
		670	186.2	12		26.3		84		
		804	223.4	10		27.2		79		
	238	382	106.1	15	1480	26.4	30	61	4.0	474
		637	176.9	11		23.1		82		
	213	342	95.0	12	1480	19.5	22	59	3.9	473
		570	158.3	9		17.0		80		
		684	190.0	7		17.6		75		

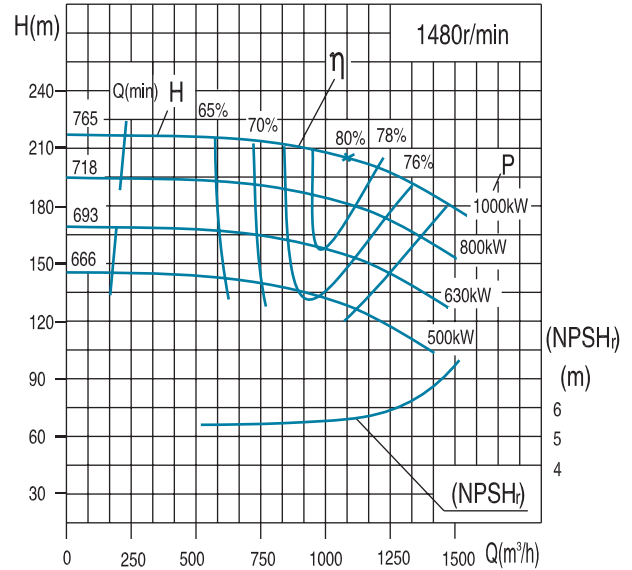
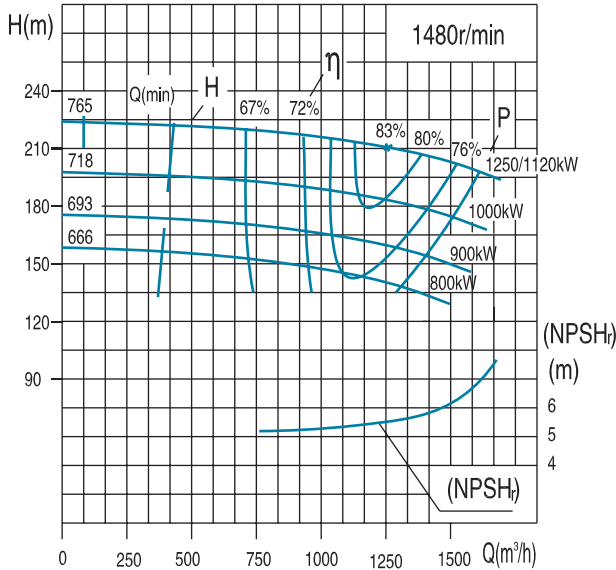


Model	Motor				Dimension (mm)						Weight (kg)	
	Model	Voltage	Class	Power (kW)	L	L1	L2	L3	B	H	Motor	Baseplate
KQSN300-M27/N27	Y225S-4	380	III/II	37	1802	820	450	1440	560	955	287	210
	Y200L-4	380	III/II	30	1757	775	450	1410	560	925	232	208
	Y180L-4	380	III/II	22	1692	710	450	1370	560	900	181	206

KQSN350- M(N)4 Technical Data

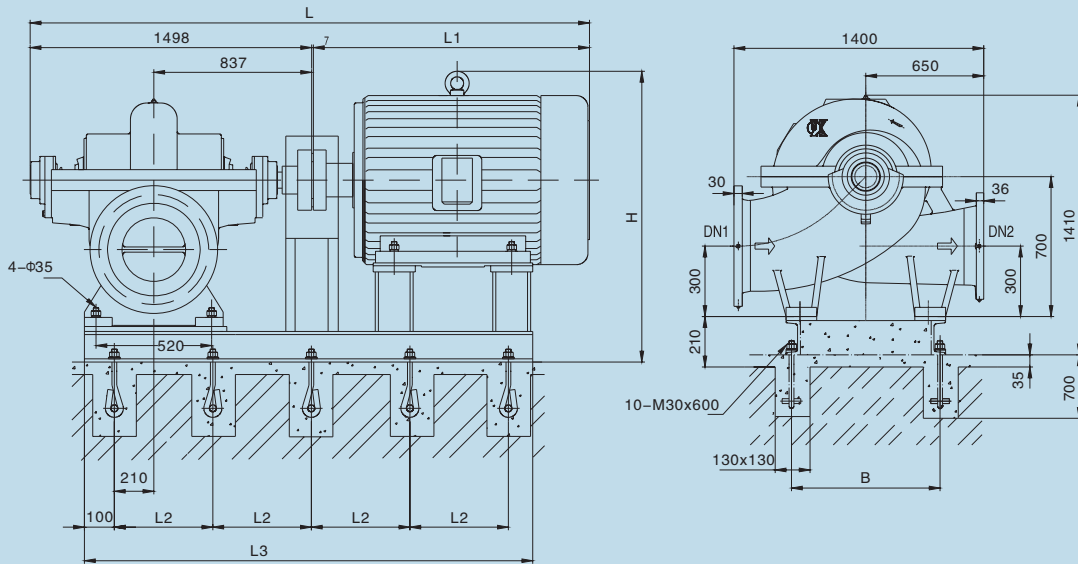
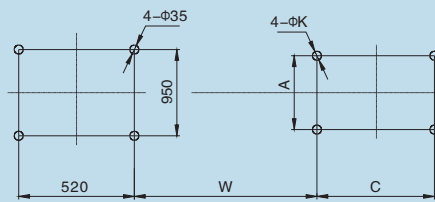
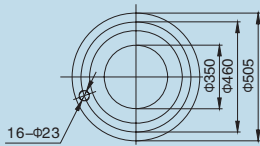
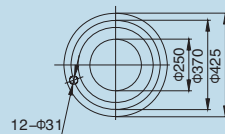
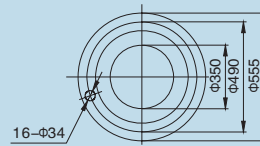
KQSN350-M4

KQSN350-N4



Model	standards (mm)	Capacity		Head (m)	Speed (r/min)	Power(kW)		Efficiency %	(NPSH) _r (m)	Weight (kg)
		(m ³ /h)	(l/s)			Shaft Power	Moter Power			
KQSN350-M4	765	756	210.0	220	1480	666.1	*1250/1120	68	5.5	1998
		1260	350.0	210		868.2		83		
		1660	461.1	192		1127.2		77		
	718	733	203.7	195	1480	581.2	1000	67	5.4	1993
		1222	339.5	185		750.9		82		
		1610	447.3	163		940.5		76		
	693	703	195.3	172	1480	499.0	900	66	5.3	1988
		1172	325.5	163		642.2		81		
666	1544	428.8	145	1480	812.8	800	75	5.2	1983	
	673	186.9	157		442.6		65			
	1121	311.5	147		561.2		80			
KQSN350-N4	765	641	178.2	218	1480	577.0	1000	66	5.6	1995
		1069	297.0	207		753.4		80		
		1380	383.3	183		929.4		74		
	718	616	171.1	194	1480	500.5	800	65	5.4	1990
		1026	285.1	182		643.9		79		
		1325	368.0	155		766.0		73		
	693	590	163.9	170	1480	426.9	630	64	5.2	1985
		984	273.2	158		542.6		78		
	666	1270	352.7	131	1480	629.1	500	72	4.9	1980
		520	144.3	143		321.3		63		
		866	240.6	135		413.5		77		
		1141	316.9	110		481.4		71		

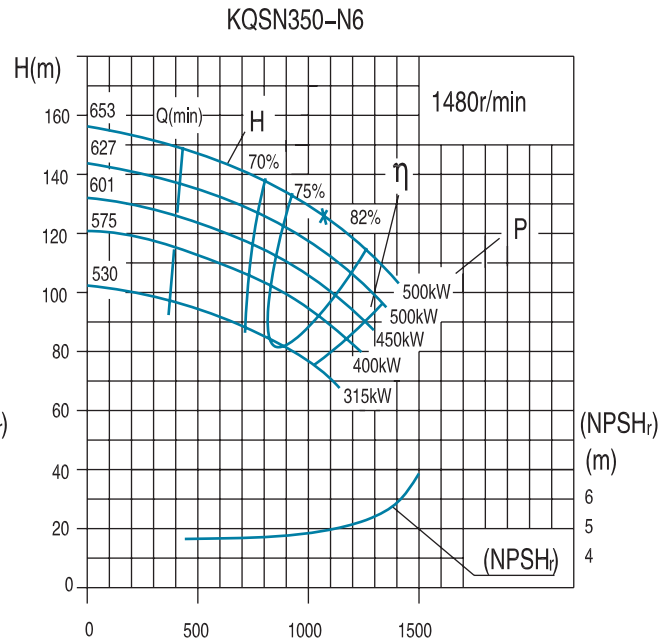
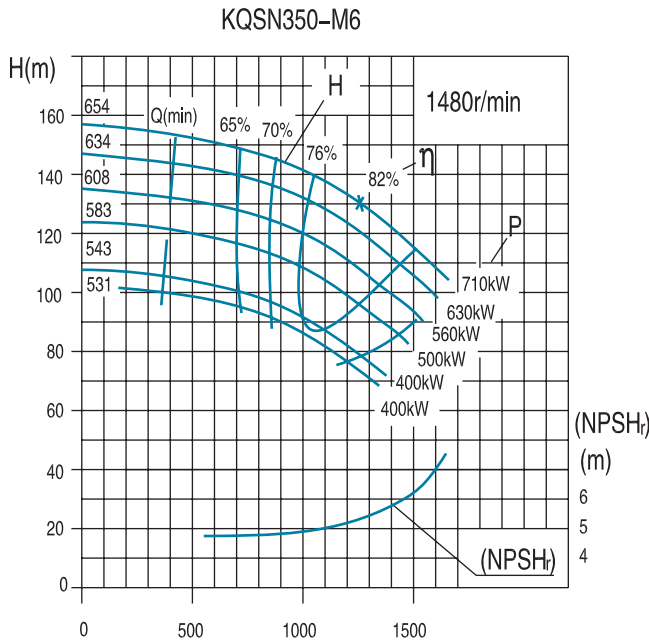
Note: * means that normally a motor with greater power is selected, and if the pump doesn't run at low head, a motor with a lower power can be selected.


Foundation Dimensions without Base

**Suction Flange DN1
PN1.0Mpa**

**Discharge Flange DN2
PN1.6Mpa**

**Outlet Flange of Cone Pipe
PN1.0Mpa**

Length of Cone Pipe E=500

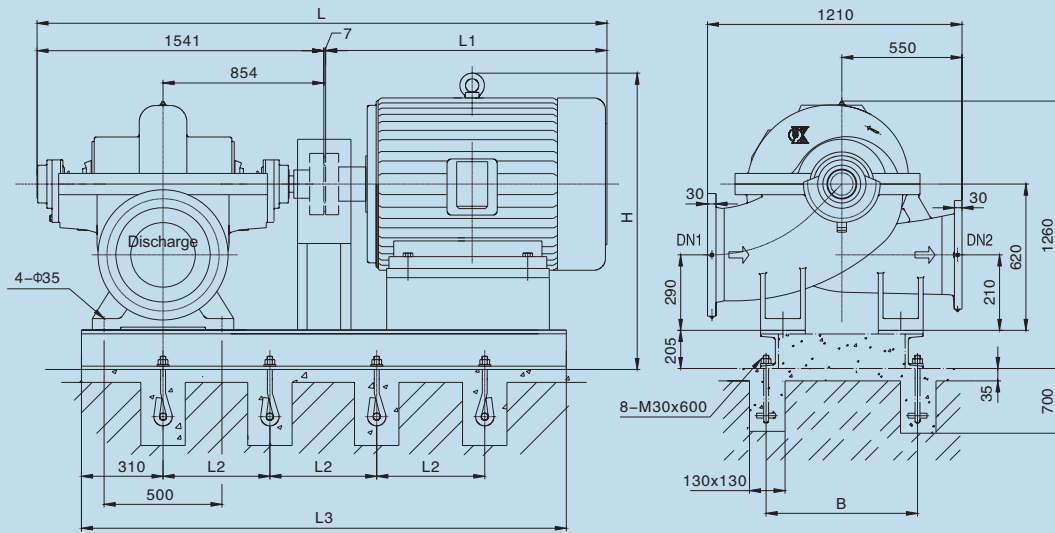
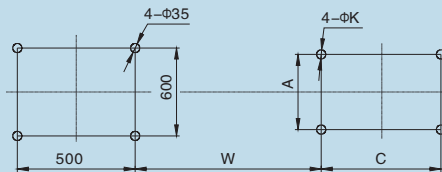
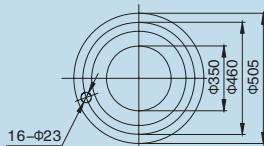
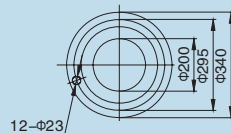
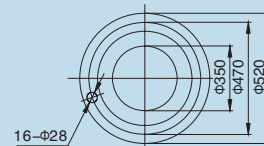
Model	Motor				Dimension (mm)										Weight (kg)	
	Model	Voltage	Class	Power (kW)	L	L1	L2	L3	B	H	W	A	C	K	Motor	Baseplate
KQSN350-M4/N4	Y500-4	6000	I / II	1250/1000	4055	2550	760	3330	1100	2065	1309	900	1250	42	4600	682
	Y450-4	6000	I / II	900/800	3685	2180	730	3125	960	1935	1149	800	1120	35	3300	691
	Y450-4	6000	I / II	630	3685	2180	730	3125	960	1935	1149	800	1120	35	3180	691
	Y400-4	6000	I / II	500	3485	1980	690	2970	960	1840	1129	710	1000	35	2520	710
	Y560-4	10000	I / II	1250	3905	2400	780	3425	1150	2100	1334	1000	1400	42	5560	738
	Y500-4	10000	I / II	1000/900	3725	2220	760	3235	1100	1460	1269	900	1250	42	5250	733
	Y500-4	10000	I / II	800/710	3725	2220	760	3235	1050	1460	1269	900	1250	42	4500	733
	Y450-4	10000	I / II	630/500	3555	2050	730	3125	960	1410	1149	800	1120	35	3900	781

Note: Protection Class I , II , III respectively represent IP23, IP44, IP 54

KQSN350- M(N)6 Technical Data



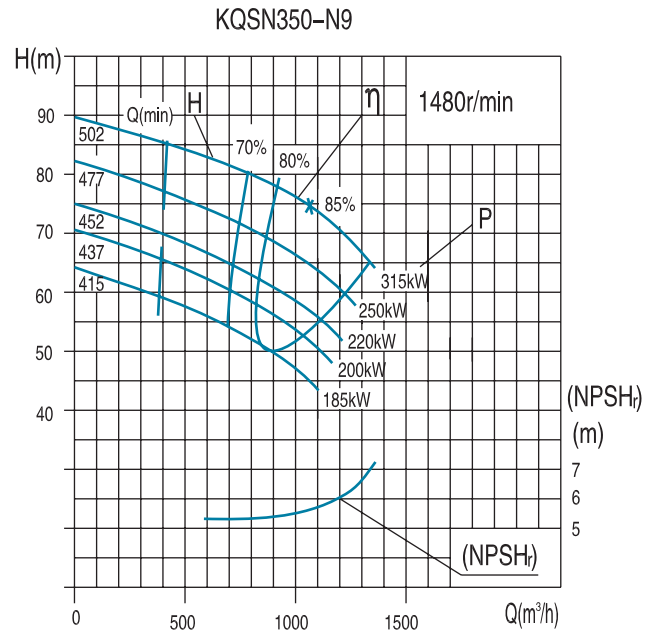
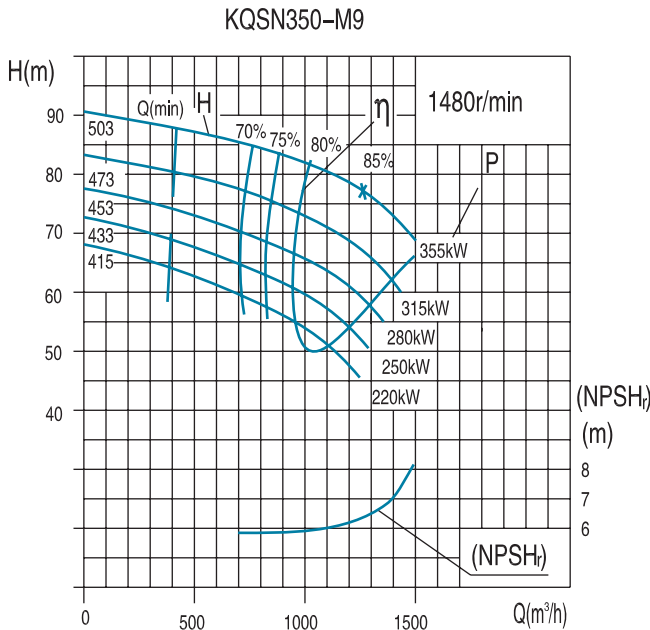
Model	Standard (mm)	Capacity		Head (m)	Speed (r/min)	Power(kW)		Efficiency %	(NPSH) _r (m)	Weight (kg)
		(m ³ /h)	(l/s)			Shaft power	Moter Power			
KQSN350-M6	654	756	210.0	148	1480	461.5	710	66	5.5	1426
		1260	350.0	126		527.3		82		
		1660	461.1	106		630.5		76		
	634	733	203.7	139	1480	427.7	630	65	5.4	1424
		1222	339.5	120		493.1		81		
		1610	447.3	98		573.1		75		
	608	703	195.3	128	1480	382.8	560	64	5.3	1422
		1172	325.5	110		438.8		80		
	583	673	186.9	117	1480	340.8	500	63	5.2	1420
		1121	311.5	103		398.8		79		
		1477	410.4	83		454.8		73		
	543	627	174.3	102	1480	285.5	400	61	5.1	1418
1046		290.5	88	325.5		77				
1378		382.7	72	379.3		71				
531	612	170.1	97	1480	269.8	400	60	5.0	1416	
	1021	283.5	85		312.5		76			
	1345	373.5	68		357.6		70			
KQSN350-N6	653	641	178.2	143	1480	421.1	500	59	4.9	1426
		1069	297.0	121		429.6		82		
		1380	383.3	95		474.5		75		
	627	616	171.1	132	1480	385.5	500	57	4.8	1424
		1026	285.1	112		389.6		80		
		1325	368.0	88		431.3		73		
	601	590	163.9	121	1480	345.3	450	56	4.7	1422
		984	273.2	102		347.3		79		
		1270	352.7	80		384.8		72		
	575	565	156.8	111	1480	313.3	400	54	4.6	1420
		941	261.3	94		311.8		77		
		1214	337.3	74		346.4		70		
530	520	144.3	94	1480	253.7	315	52	4.5	1418	
	866	240.6	79		248.4		75			
	1141	316.9	65		295.7		68			


Foundation Dimensions without Base

**Suction Flange DN1
PN1.0Mpa**

**Discharge Flange DN2
PN1.6Mpa**

**Outlet Flange of Cone Pipe
PN1.0Mpa**

Length of Cone Pipe E=750

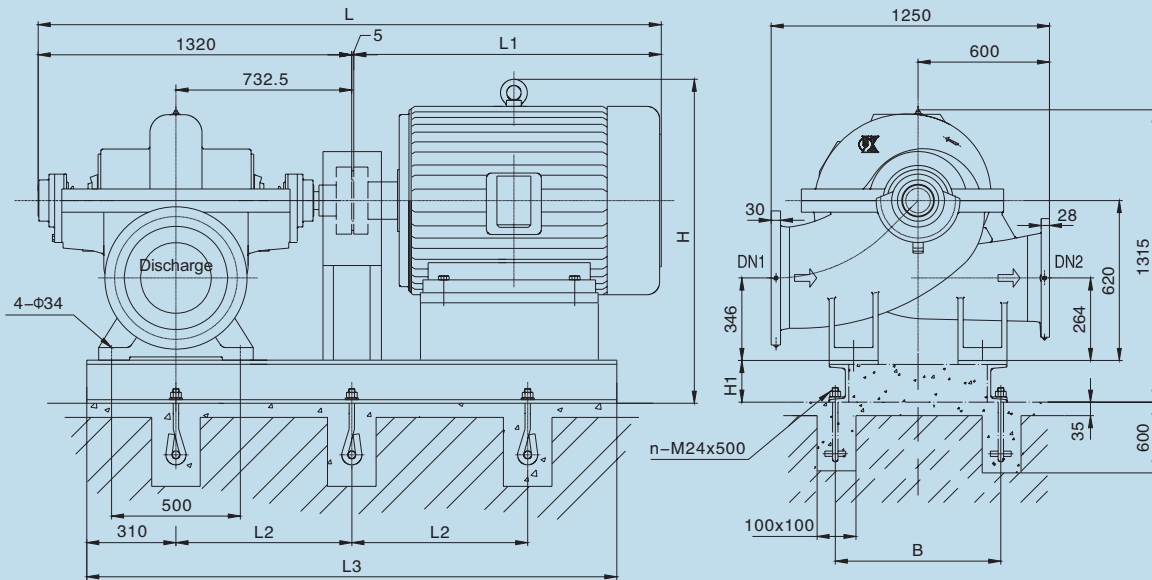
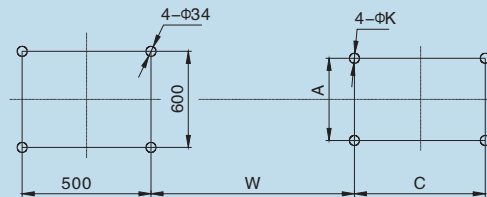
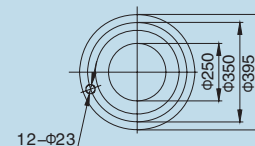
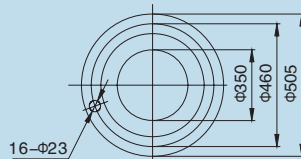
Model	Motor				Dimension (mm)										Weight (kg)	
	Model	Voltage	Class	Power (kW)	L	L1	L2	L3	B	H	W	A	C	K	Motor	Baseplate
KQSN350-M6/N6	Y355M-4	380	I	315	3168	1620	580	2305	700	1590	1075	610	560	28	1530	626
	Y450-4	6000	I /II	710/630	3628	2080	850	3170	880	1310	1176	800	1120	35	3210	642
	Y400-4	6000	I /II	560~355	3488	1940	800	3000	800	1260	1156	710	1000	35	2620	638
	Y355-4	6000	I /II	315	3438	1890	720	2850	740	1640	1136	630	900	28	1860	625
	Y500-4	10000	I /II	710	3748	2200	900	3250	1050	1375	1296	900	1250	42	4550	650
	Y450-4	10000	I /II	630~315	3598	2050	840	3100	920	1325	1176	800	1120	42	3460	675
	Y400L-4	380	III/II	500	3438	1890	700	2710	750	1260	1101	686	710	35	3200	632
	Y400M-4	380	III/II	450/400	3438	1890	700	2710	750	1505	1101	686	630	35	3100	632
	Y400S-4	380	III/II	355	3438	1890	700	2710	750	1505	1101	686	630	35	2900	628
Y355L-4	380	III/II	315	3078	1530	580	2305	700	1480	1035	610	630	28	1870	626	

Note: Protection Class I, II, III respectively represent IP23, IP44, IP 54

KQSN350- M(N)9 Technical Data



Model	Standard (mm)	Capacity		Head (m)	Speed (r/min)	Power(kW)		Efficiency %	(NPSH) _r (m)	Weight (kg)
		(m ³ /h)	(l/s)			Shaft Power	Moter Power			
KQSN350-M9	503	756	210.0	86	1480	252.9	355	70	5.5	1208
		1260	350.0	77		310.8		85		
		1512	420.0	68		345.7		81		
	473	711	197.4	77	1480	216.0	315	69	5.4	1206
		1184	329.0	69		265.1		84		
	453	680	189.0	71	1480	193.5	280	68	5.3	1204
		1134	315.0	63		235.5		83		
	433	650	180.6	62	1480	164.9	250	67	5.2	1202
		1084	301.0	58		208.0		82		
	415	624	173.3	57	1480	147.8	220	66	5.1	1200
1040		288.8	53	185.9		81				
		1247	346.5	46		202.9	77			
KQSN350-N9	502	641	178.2	83	1480	230.2	315	63	4.9	1207
		1069	297.0	74		253.5		85		
		1283	356.4	67		291.9		80		
	477	609	169.3	75	1480	203.8	250	61	4.8	1205
		1016	282.1	66		219.9		83		
	452	577	160.4	67	1480	176.2	220	60	4.7	1203
		962	267.3	59		188.5		82		
	437	558	155.0	63	1480	162.3	200	59	4.6	1201
		940	261.1	56		177.0		81		
	415	529	147.0	56	1480	140.4	185	58	4.5	1199
882		245.0	50	151.2		80				
		1058	294.0	46		174.8	75			

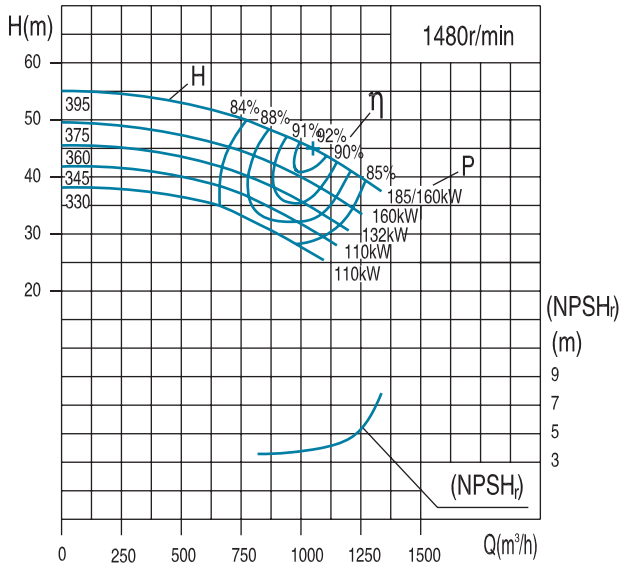

Foundation Dimensions without Base

Suction flange DN1 and Outlet Flange of Cone Pipe PN1.0 Mpa
Discharge flange DN2 PN1.0 Mpa

Length of Cone Pipe E=500

Model	Motor				Dimension (mm)										Weight (kg)		The number of anchor bolts n	
	Model	Voltage	Class	Power (kW)	L	L1	L2	L3	B	H	H1	W	A	C	K	Motor		Baseplate
KQSN350-M9/N9	Y355L1-4	380	I	355	3015	1690	800	2220	700	1590	205	951.5	610	630	28	1630	522	6
	Y355M-4	380	I	315/280	2945	1620	800	2220	700	1590	205	951.5	610	560	28	1530	522	6
	Y315M-4	380	I	250~185	2595	1270	680	1995	620	1570	185	873.5	508	457	28	1075	520	6
	Y400-4	6000	I/II	355	3305	1980	750	2880	840	1755	205	1032.5	710	1000	35	2280	560	8
	Y355-4	6000	I/II	315	3215	1890	700	2750	740	1640	205	1012.5	630	900	28	1860	550	8
	Y355-4	6000	I/II	280~200	3215	1890	700	2750	740	1640	205	1012.5	630	900	28	1800	550	8
	Y450-4	10000	I/II	355~200	3375	2050	800	3000	920	1325	205	1052.5	800	1120	35	2850	585	8
	Y355LY-4	380	III/II	355	2895	1570	800	2220	700	1520	205	951.5	610	630	28	1870	522	6
	Y355L-4	380	III/II	315/280	2895	1570	800	2220	700	1500	205	911.5	610	630	28	1870	522	6
	Y355M-4	380	III/II	250/220	2895	1570	800	2145	700	1500	205	911.5	610	560	28	1720	518	6
Y315L-4	380	III/II	200/185	2665	1340	680	2040	620	1355	185	873.5	508	508	28	1170	521	6	

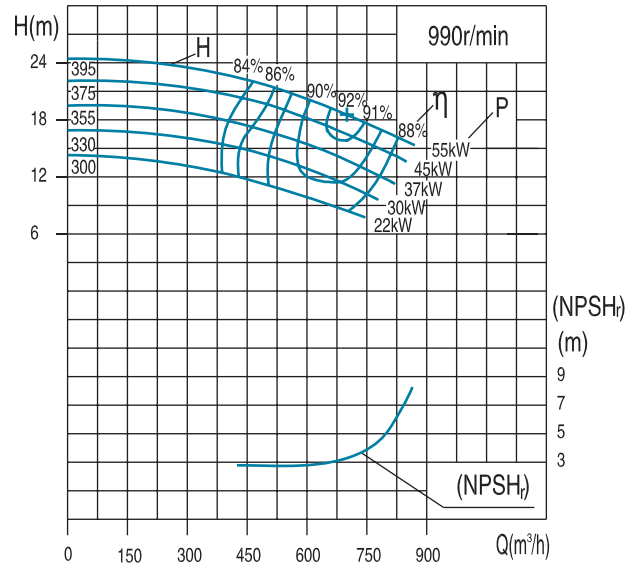
Note: Protection Class I, II, III respectively represent IP23, IP44, IP 54

KQSN350- M12S(J) Technical Data

KQSN350-M12S

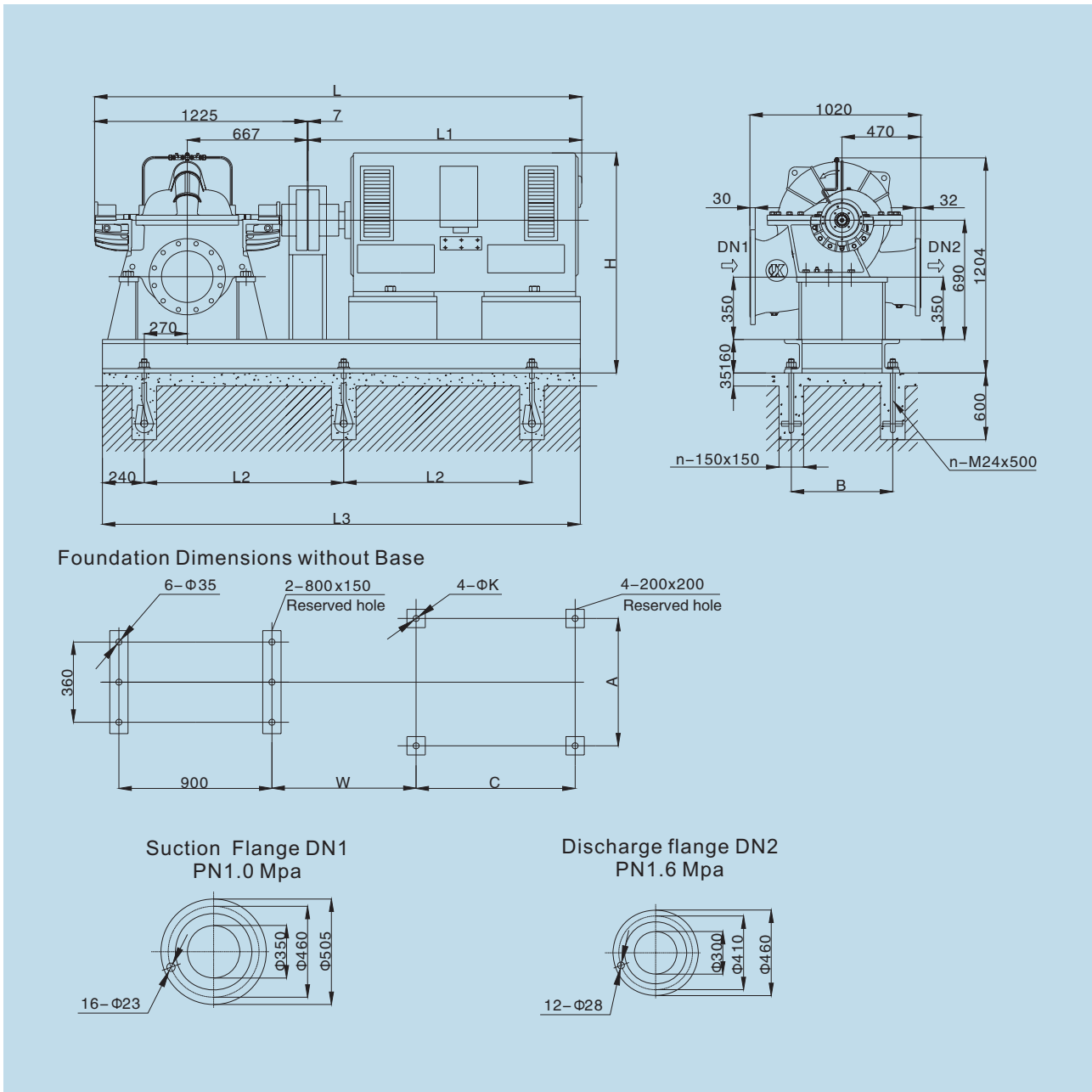


KQSN350-M12SJ



Model	standards (mm)	Capacity		Head (m)	Speed (r/min)	Power(kW)		Efficiency %	(NPSH) _r (m)	Weight (kg)
		(m³/h)	(l/s)			Shaft Power	Moter Power			
KQSN350-M12S	395	630	175.0	52	1480	107.5	*185/160	83.0	4.0	973
		1050	291.7	45		139.9		92.0		
		1260	350.0	40		159.6		86.0		
	375	598	166.2	46	1480	91.4	160	82.0	3.8	971
		997	276.9	40		119.3		91.0		
	360	1196	332.3	35	1480	134.2	132	85.0	3.6	969
		574	159.5	43		83.0		81.0		
	345	957	265.8	37	1480	107.1	110	90.0	3.4	967
		1148	319.0	32		117.7		85.0		
	330	550	152.8	40	1480	74.9	110	80.0	3.4	965
917		254.7	34	95.4		89.0				
1100		305.7	29	103.5		84.0				
KQSN350-M12SJ	395	420	116.7	23	990	31.7	55	83.0	3.4	973
		700	194.4	19		39.4		92.0		
		840	233.3	17		43.7		89.0		
	375	399	110.8	21	990	27.8	45	82.0	3.3	971
		665	184.7	17		33.8		91.0		
	355	798	221.7	15	990	37.0	37	88.0	3.2	969
		377	104.8	18		22.6		82.0		
	330	629	174.7	15	990	28.5	30	90.0	3.1	967
		755	209.7	13		30.4		88.0		
	300	351	97.5	16	990	18.9	22	81.0	3.0	965
585		162.5	13	23.0		90.0				
702		195.0	11	23.9		88.0				
300	319	88.7	13	990	14.1	22	80.0	3.0	965	
	532	147.8	11		18.1		88.0			
		638	177.3	9			87.0			

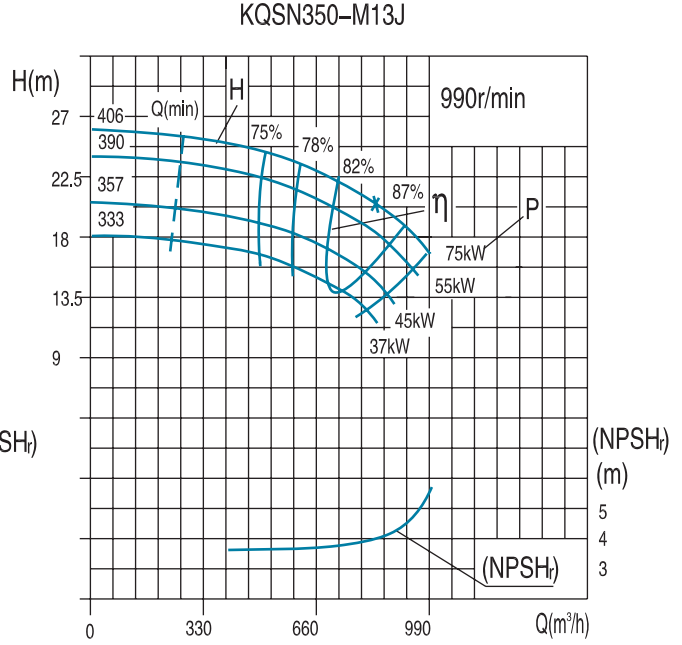
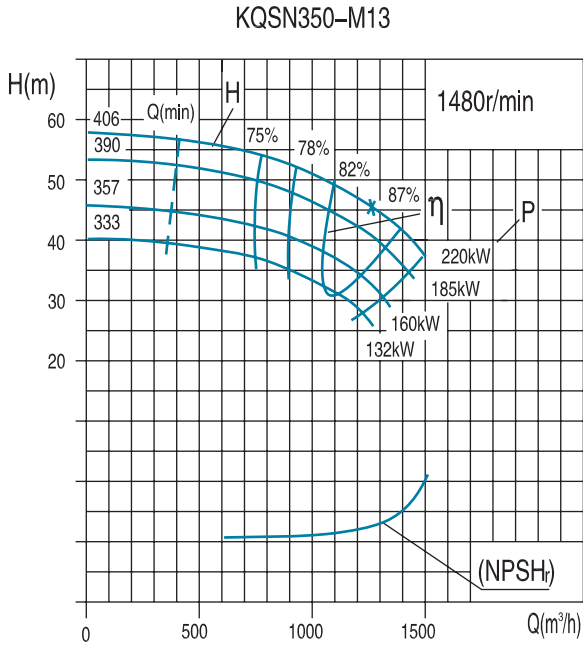
Note: * means that normally a motor with greater power is selected, and if the pump doesn't run at low head, a motor with a lower power can be selected.



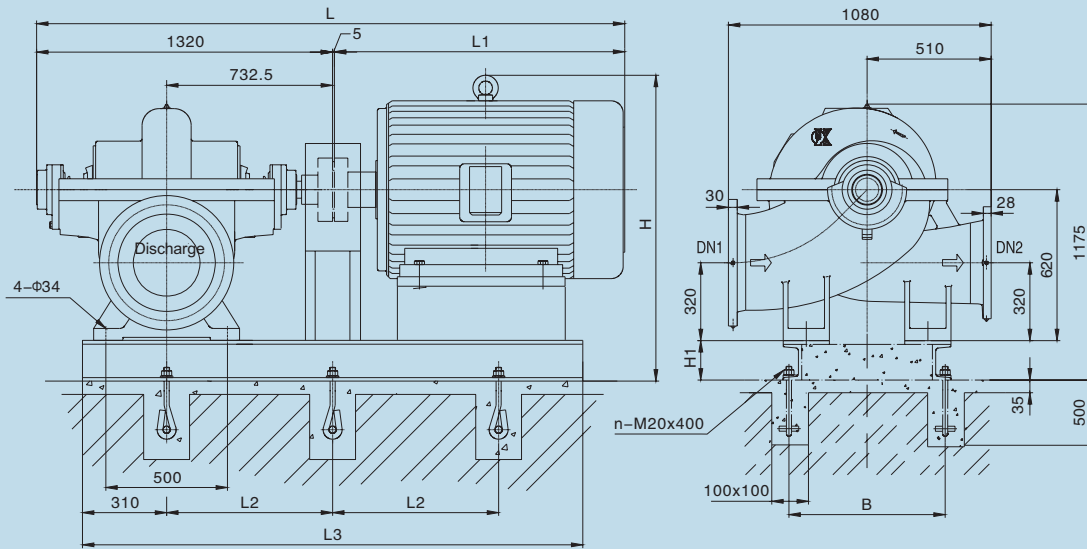
Model	Motor				Dimension (mm)											Weight (kg)		The number of anchor bolts
	Model	Voltage	Class	Power (kW)	L	L1	L2	L3	B	H	H1	W	A	C	K	Motor	Baseplate	
KQSN350-M12S	YE3-315L-4	380	III/II	185	2547	1315	600	2190	650	1465	160	610	508	508	28	1110	600	8
	YE3-315L1-4	380	III/II	160	2547	1315	600	2190	650	1465	160	610	508	508	28	1070	600	8
	YE3-315M-4	380	III/II	132	2477	1245	600	2190	650	1465	160	610	508	457	28	980	650	8
	YE3-315S-4	380	III/II	110	2387	1155	800	2080	650	1465	160	610	508	406	28	875	650	6
KQSN350-M12SJ	YE3-280M-6	380	III/II	55	2267	1035	800	2030	560	1225	160	554	457	419	24	531	550	6
	YE3-280S-6	380	III/II	45	2217	985	700	1980	560	1225	160	554	457	368	24	483	550	6
	YE3-250M-6	380	III/II	37	2157	925	700	1940	560	1215	160	532	406	349	24	400	500	6
	YE3-225M-6	380	III/II	30	2087	855	700	1875	560	1185	160	513	356	311	18.5	285	500	6
	YE3-200L2-6	380	III/II	22	2022	790	700	1814	560	1155	160	467	318	305	18.5	247	480	6

Note: Protection Class I, II, III respectively represent IP23, IP44, IP54

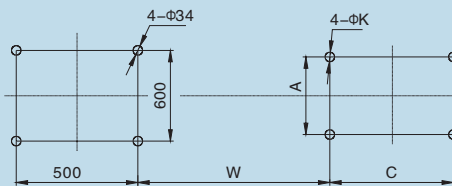
KQSN350- M(N)13 Technical Data



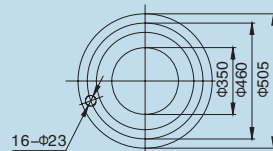
Model	Standard (mm)	Capacity		Head (m)	Speed (r/min)	Power(kW)		Efficiency %	(NPSH) _r (m)	Weight (kg)
		(m³/h)	(l/s)			Shaft Power	Moter Power			
KQSN350-M13	406	756	210.0	54	1480	148.7	220	75	5.5	1110
		1260	350.0	46		180.8		87		
		1512	420.0	38		197.9		80		
	390	726	201.6	50	1480	133.3	185	74	5.3	1108
		1210	336.0	42		161.8		86		
		1452	403.2	34		168.1		79		
	357	665	184.8	42	1480	105.6	160	72	5.1	1106
		1109	308.0	35		126.1		85		
		1331	369.6	28		132.9		77		
	333	620	172.2	36	1480	87.9	132	70	4.9	1105
		1033	287.0	31		103.2		84		
		1240	344.4	25		110.4		75		
KQSN350-M13J	406	506	140.5	24	990	43.3	75	75	4.0	1110
		843	234.1	21		54.1		87		
		1011	280.9	17		60.0		80		
	390	485	134.9	22	990	38.8	55	74	3.9	1108
		809	224.8	19		48.4		86		
		971	269.7	16		53.8		79		
	357	445	123.6	18	990	30.7	45	72	3.8	1106
		742	206.0	16		37.7		85		
		890	247.2	14		42.5		77		
	333	415	115.2	16	990	25.6	37	70	3.7	1105
		691	192.0	14		30.9		84		
		829	230.4	12		35.3		75		



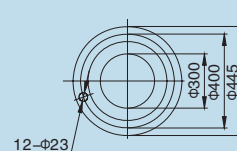
Foundation Dimensions without Base



Suction flange DN1 and Outlet Flange of Cone Pipe PN1.0 Mpa



Discharge flange DN2 PN1.0 Mpa



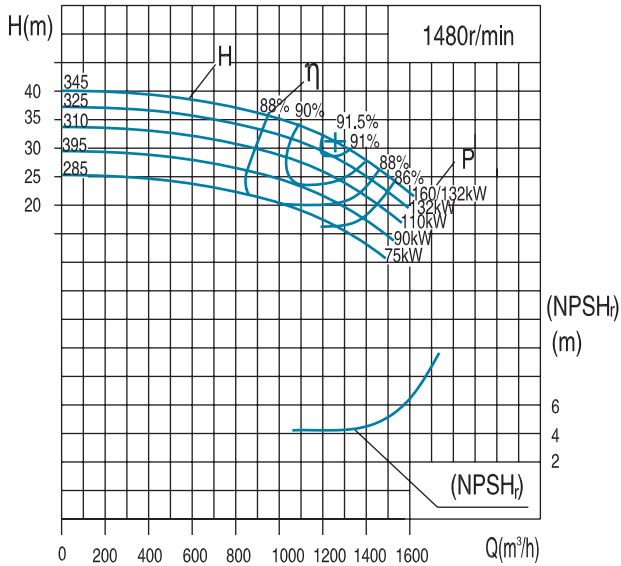
Length of Cone Pipe E=300

Model	Motor			Dimension (mm)											Weight (kg)		The number of anchor bolts	
	Model	Voltage	Class	Power (kW)	L	L1	L2	L3	B	H	H1	W	A	C	K	Motor		Baseplate
KQSN350-M13 (J)	Y315M-4	380	I	200/185	2595	1270	680	1995	620	1335	185	873.5	508	457	28	990	440	6
	Y315S-4	380	I	160	2485	1160	680	1945	620	1335	185	873.5	508	406	28	870	438	6
	Y280M-4	380	I	132/110	2465	1140	580	1945	620	1225	165	847.5	457	419	24	820	440	6
	Y355-4	6000	I / II	200	3215	1890	700	2750	740	1620	185	1012.5	630	900	28	1710	548	8
	Y450-4	10000	I / II	200	3375	2050	800	3000	920	1305	185	1052.5	800	1120	35	2550	575	8
	Y315L-4	380	III / II	200~160	2665	1340	680	2065	620	1270	185	873.5	508	508	28	1170	443	6
	Y315M-4	380	III / II	132	2665	1340	680	1995	620	1270	185	873.5	508	457	28	1010	441	6
	Y315S-4	380	III / II	110	2595	1270	680	1945	620	1270	185	873.5	508	406	28	930	439	6

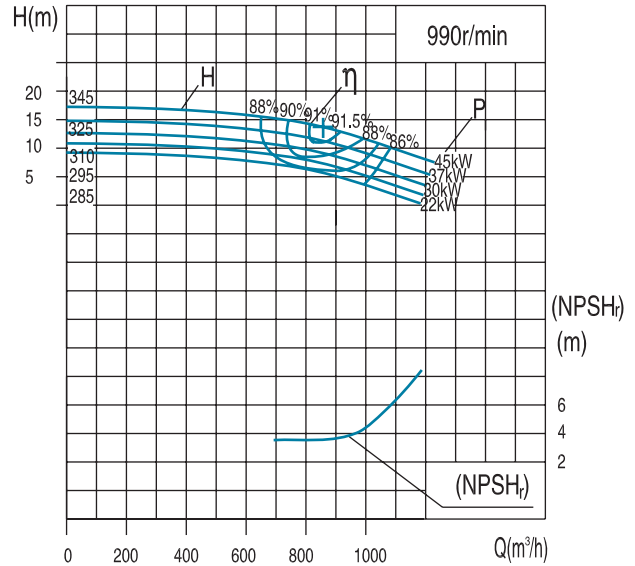
Note: Protection Class I, II, III respectively represent IP23, IP44, IP 54

KQSN350- M17S(J) Technical Data

KQSN350-M17S

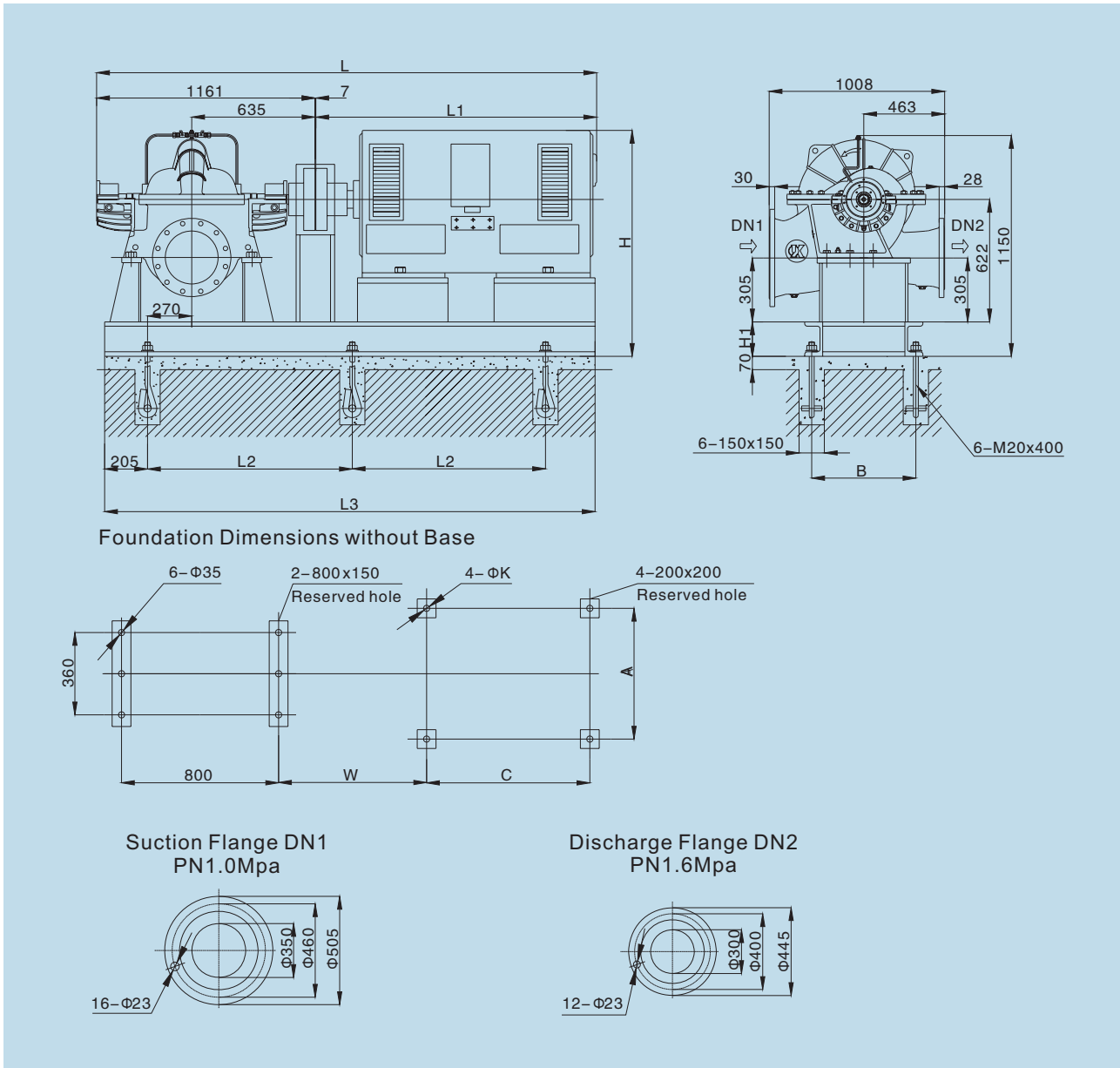


KQSN350-M17SJ



Model	standards	Capacity		Head (m)	Speed (r/min)	Power(kW)		Efficiency %	(NPSH) _r (m)	Weight (kg)
		(m³/h)	(l/s)			Shaft power	Moter Power			
KQSN350-M17S	345	756	210.0	37	1480	89.4	*160/132	86.0	4.3	695
		1260	350.0	31		116.3		91.5		
		1512	420.0	25		117.1		86.5		
	325	714	198.4	35	1480	79.2	132	85.0	4.2	695
		1190	330.6	29		104.4		90.0		
		1428	396.7	23		103.4		86.5		
	310	682	189.3	31	1480	68.1	110	84.5	4.1	695
		1136	315.6	27		93.9		89.0		
		1363	378.7	21		90.4		86.2		
	295	652	181.1	28	1480	60.4	90	83.0	4.0	695
1087		301.8	24	80.7		88.0				
1304		362.2	19	78.9		85.5				
285	622	172.9	26	1480	54.4	75	81.0	3.9	695	
	1037	288.2	20		64.7		87.5			
	1245	345.8	17		66.2		87.0			
KQSN350-M17SJ	345	510	141.7	16	990	25.5	45	87.0	3.5	695
		850	236.1	14		34.6		91.5		
		1020	283.3	11		34.9		87.0		
	325	480	133.3	14	990	21.3	37	86.1	3.4	695
		800	222.2	12		28.7		91.0		
		960	266.7	9		27.3		86.3		
	310	456	126.7	12	990	17.3	30	86.0	3.3	695
		760	211.1	10		24.0		90.5		
		912	253	8		22.3		86.2		
	295	438	121.7	10	990	14.0	30	85.5	3.2	695
		730	202.8	8		17.9		89.0		
		876	243.3	7		19.5		85.8		
	285	420	116.7	9	990	12.3	22	84.0	3.1	695
		700	194.5	7		15.3		87.5		
		840	233.4	6		16.2		85.0		

Note: * means that normally a motor with greater power is selected, and if the pump doesn't run at low head, a motor with a lower power can be selected.



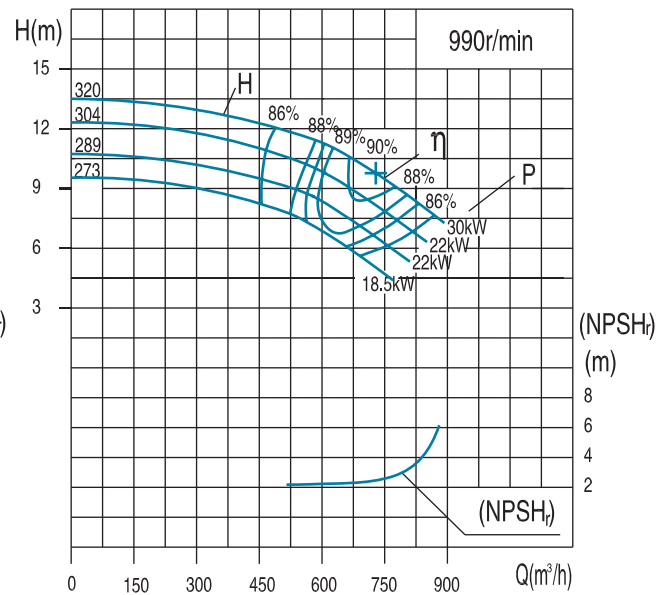
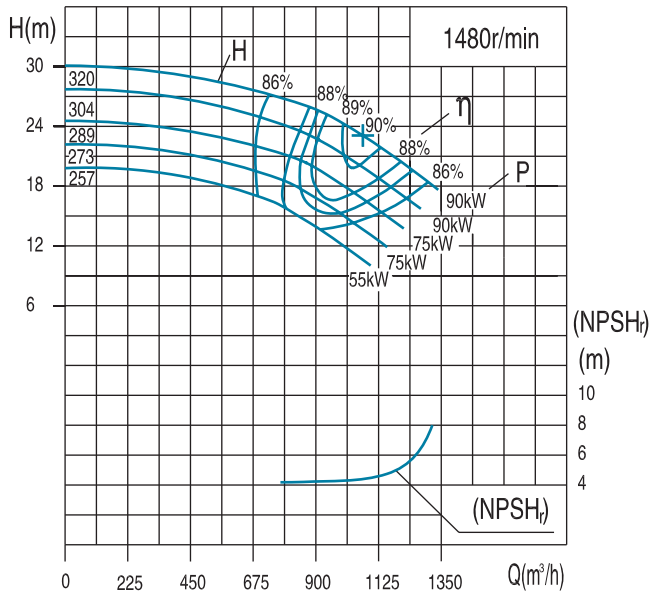
Model	Motor				Dimension (mm)												Weight (kg)		The number of anchor bolts n
	Model	Voltage	Class	Power (kW)	L	L1	L2	L3	B	H	H1	W	A	C	K	Motor	Baseplate		
KQSN350-M17S	YE3-315L1-4	380	III / II	160	2518	1350	830	2130	650	1312	160	628	508	508	28	1070	345	6	
	YE3-315M-4	380	III / II	132	2518	1350	830	2130	650	1312	160	628	508	457	28	980	345	6	
	YE3-315S-4	380	III / II	110	2408	1240	800	2015	650	1312	160	628	508	406	28	875	330	6	
	YE3-280M-4	380	III / II	90	2203	1035	750	1960	600	1182	160	572	457	419	24	664	320	6	
	YE3-280S-4	380	III / II	75	2153	985	750	1960	600	1182	160	572	457	368	24	580	310	6	
KQSN350-M17SJ	YE3-280S-6	380	III / II	45	2153	985	750	1960	600	1182	160	572	457	368	24	483	310	6	
	YE3-250M-6	380	III / II	37	2093	925	720	1865	550	1147	160	550	406	349	24	400	300	6	
	YE3-225M-6	380	III / II	30	2023	855	690	1800	550	1117	160	531	356	311	18.5	285	290	6	
	YE3-200L2-6	380	III / II	22	1958	790	660	1740	550	1087	160	485	318	305	18.5	259	280	6	

Note: Protection Class I, II, III respectively represent IP23, IP44, IP 54

KQSN350- M20S(J) Technical Data

KQSN350-M20S

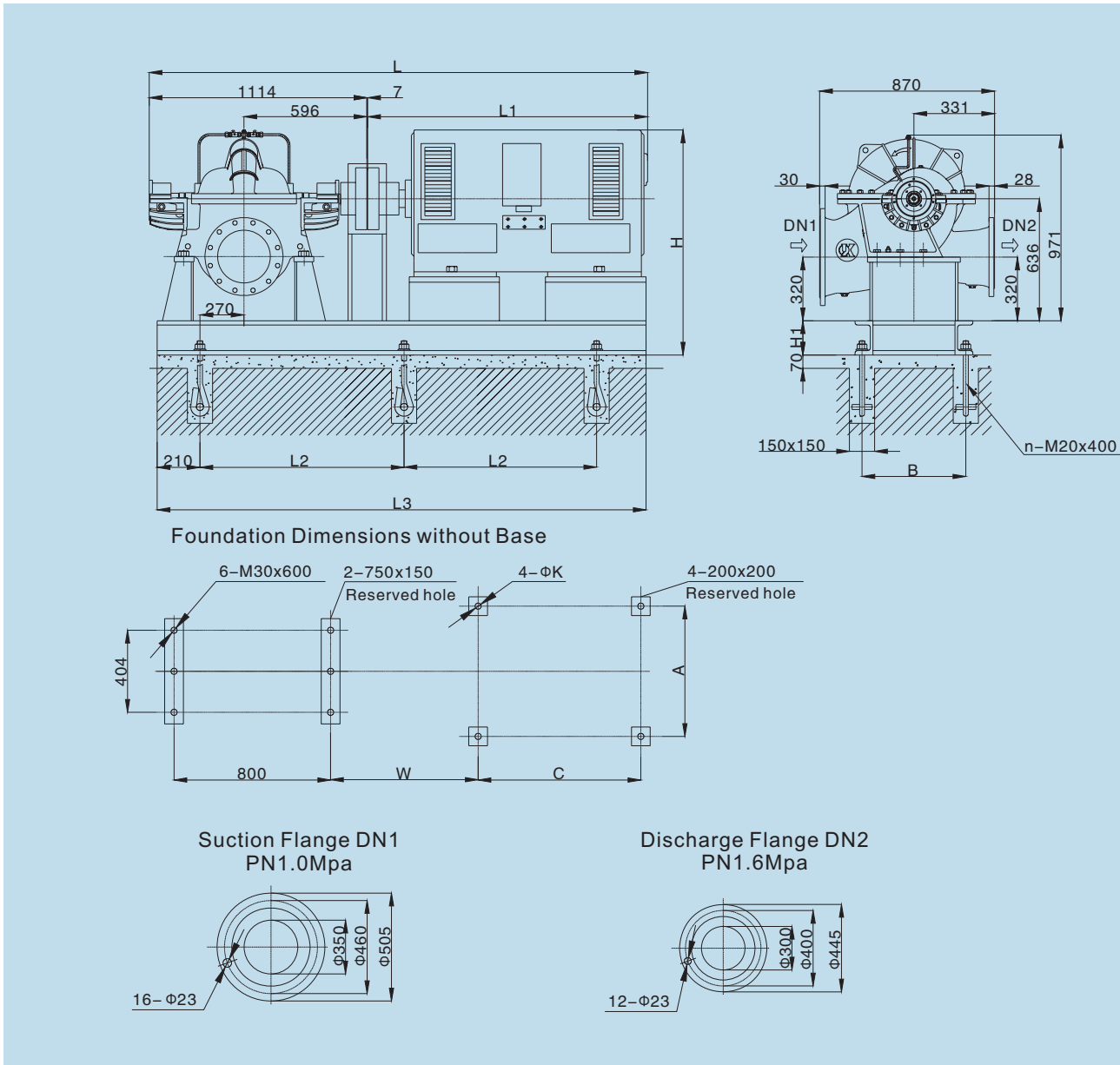
KQSN350-M20S(J)



Model	standards (mm)	Capacity		Head (m)	Speed (r/min)	Power (kW)		Efficiency %	(NPSH) _r (m)	Weight (kg)
		(m³/h)	(l/s)			Shaft Power	Moter Power			
KQSN350-M20S	320	660	183.3	28	1480	59.2	90	85.0	4.2	680
		1100	305.6	23		76.6		90.0		
		1320	366.7	18		75.2		86.0		
	304	628	174.3	26	1480	52.3	90	85.0	4.1	678
		1046	290.6	21		67.2		89.0		
	289	596	165.5	24	1480	46.4	75	84.0	4.0	676
		993	275.8	19		57.7		89.0		
	273	563	156.5	22	1480	40.7	75	83.0	3.9	674
		939	260.8	17		50.0		87.0		
		1127	313.0	13		47.5		84.0		
257	531	147.5	19	1480	33.1	55	83.0	3.8	672	
	885	245.8	15		42.0		86.0			
		1062	295.0	11			84.0			
KQSN350-M20S(J)	320	442	122.7	13	990	18.4	30	85.0	2.6	680
		736	204.4	10		22.3		90.0		
		883	245.3	8		22.9		84.0		
	304	419	116.5	12	990	16.3	22	84.0	2.5	678
		699	194.2	9		19.2		89.0		
	289	399	110.8	11	990	14.6	22	82.0	2.4	676
		665	184.7	8		16.5		88.0		
	273	798	221.7	6	990	15.3	18.5	85.0	2.3	674
		377	104.7	10		12.7		81.0		
		628	174.4	7		13.8		87.0		
		754	209.3	5			84.0			

Note: For the import of at least 2-3 m under normal pressure conditions.

* means that normally a motor with greater power is selected, and if the pump doesn't run at low head a motor with a lower power can be selected

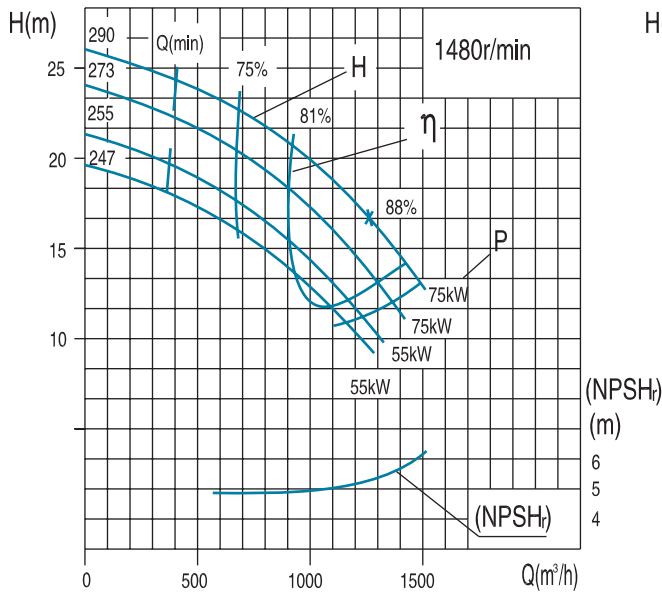


Model	Motor				Dimension (mm)											Weight (kg)		The number of anchor bolts
	Model	Voltage	Class	Power (kW)	L	L1	L2	L3	B	H	H1	W	A	C	K	Motor	Baseplate	
KQSN350-M20S	YE3-250M-4	380	III / II	55	2046	925	700	1800	600	1161	160	511	406	349	24	434	296	6
	YE3-280S-4	380	III / II	75	2106	985	750	1920	600	1171	160	533	457	368	24	580	297	6
	YE3-280M-4	380	III / II	90	2156	1035	750	1920	600	1171	160	533	457	419	24	664	300	6
KQSN350-M20SJ	YE3-200L-6	380	III / II	18.5 ~ 22	1911	790	620	1650	550	1101	160	446	318	305	14.5	259	208	6
	YE3-225M-6	380	III / II	30	1976	855	650	1735	550	1131	160	492	356	311	18.5	285	210	6

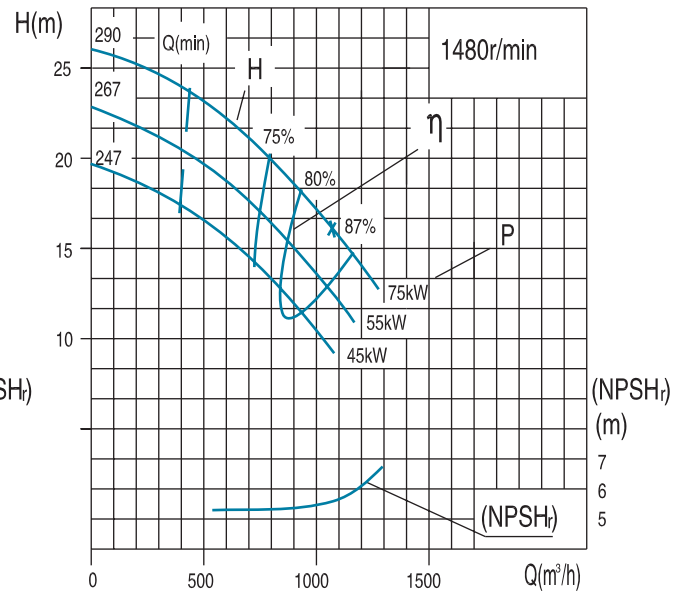
Note: Protection Class I, II, III respectively represent IP23, IP44, IP54

KQSN350- M(N)27 Technical Data

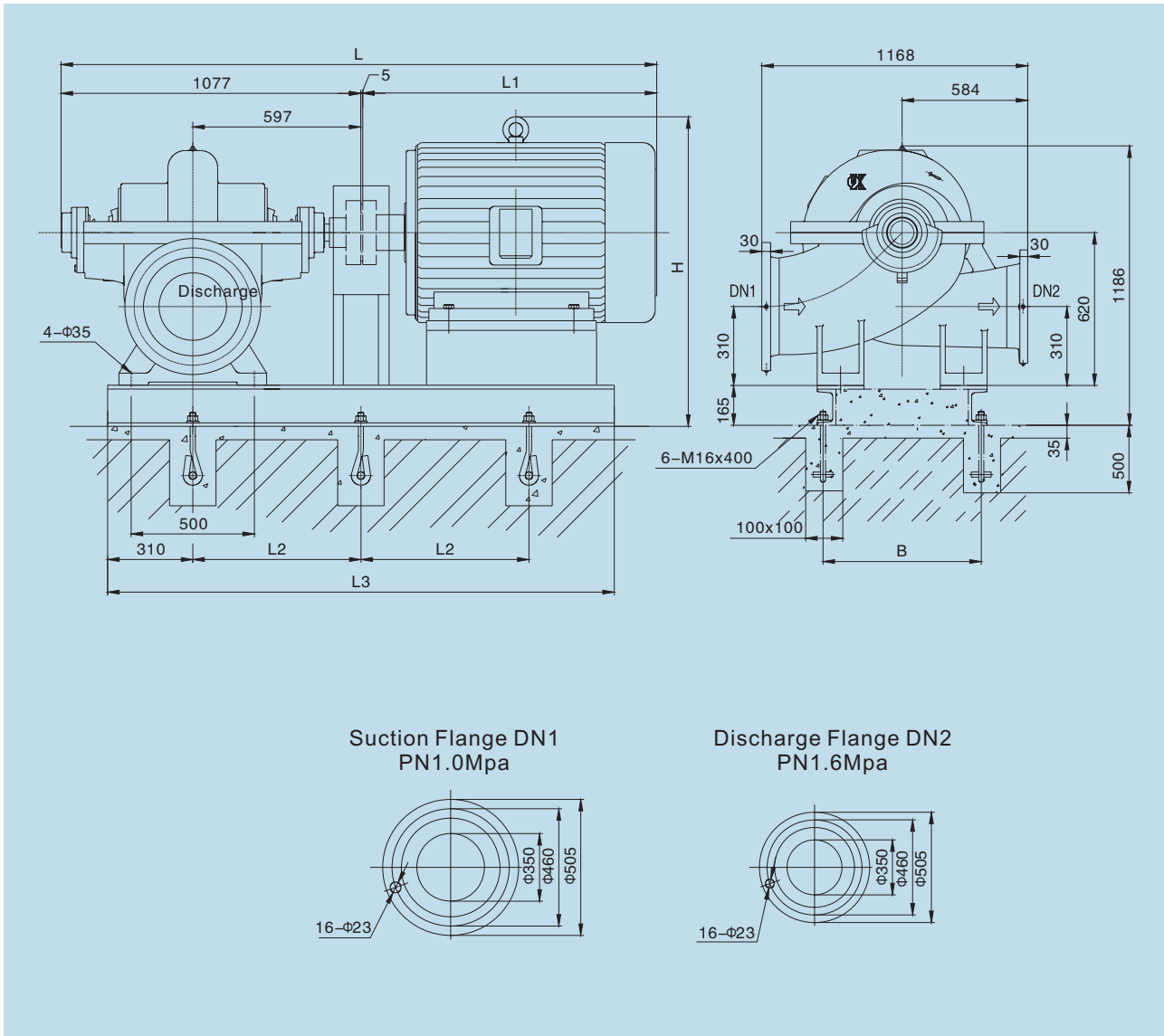
KQSN350-M27



KQSN350-N27



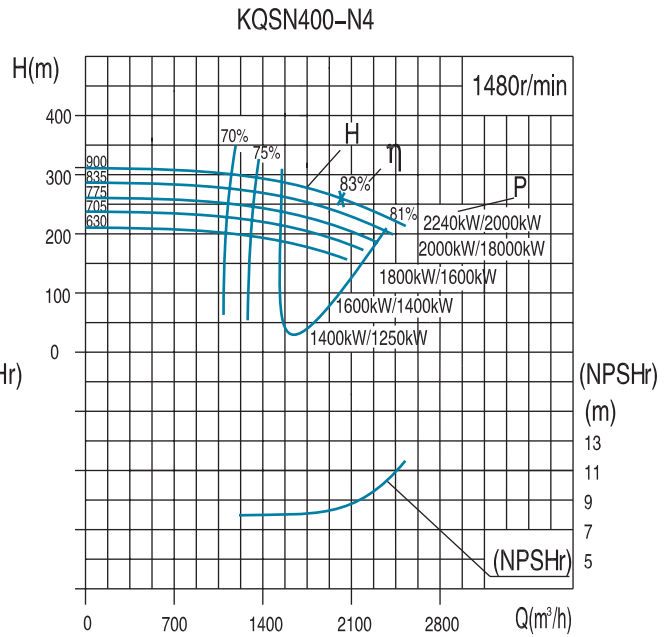
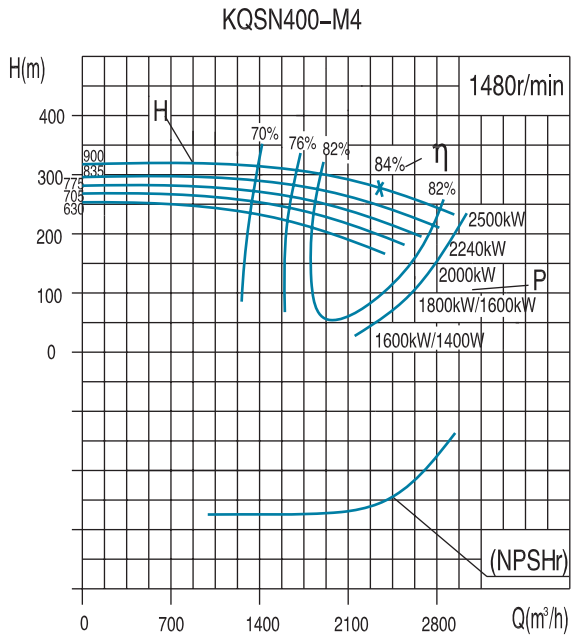
Model	Standard (mm)	Capacity		Head (m)	Speed (r/min)	Power (kW)		Efficiency %	(NPSH) _r (m)	Weight (kg)
		(m ³ /h)	(l/s)			Shaft Power	Moter Power			
KQSN350-M27	290	756	210.0	23	1480	60.5	75	78	5.5	697
		1260	350.0	17		65.0		88		
		1512	420.0	14		74.8		77		
	273	711	197.4	20	1480	51.6	75	76	5.4	695
		1184	329.0	15		55.2		86		
			1421	394.8	11			75		
	255	665	184.8	18	1480	44.1	55	73	5.3	693
		1109	308.0	13		47.0		83		
		1331	369.6	10			72			
247	643	178.5	17	1480	40.2	55	72	5.2	691	
	1071	297.5	12		42.8		82			
	1285	357.0	9		45.3		71			
KQSN350-N27	290	641	178.2	22	1480	55.2	75	70	5.4	636
		1069	297.0	16		54.0		87		
		1283	356.4	14		62.9		76		
	267	590	163.9	19	1480	44.2	55	68	5.3	634
		984	273.2	14		43.0		85		
			1180	327.9	12			74		
	247	545	151.5	16	1480	36.5	45	65	5.2	632
		909	252.4	12		35.2		82		
1091		302.9	10	41.3		71				



Model	Motor				Dimension (mm)										Weight (kg)	
	Model	Voltage	Class	Power (kW)	L	L1	L2	L3	B	H	W	A	C	K	Motor	Baseplate
KQSN350-M27/N27	Y280S-4	380	III/II	75	2082	1000	580	1720	620	1073	682	457	368	24	510	390
	Y250M-4	380	III/II	55	2012	930	510	1640	620	1100	660	406	349	24	385	388
	Y225M-4	380	III/II	45	1927	845	480	1580	620	1090	641	356	311	19	322	386

Note: Protection Class I , II ,III respectively represent IP23, IP44, IP 54

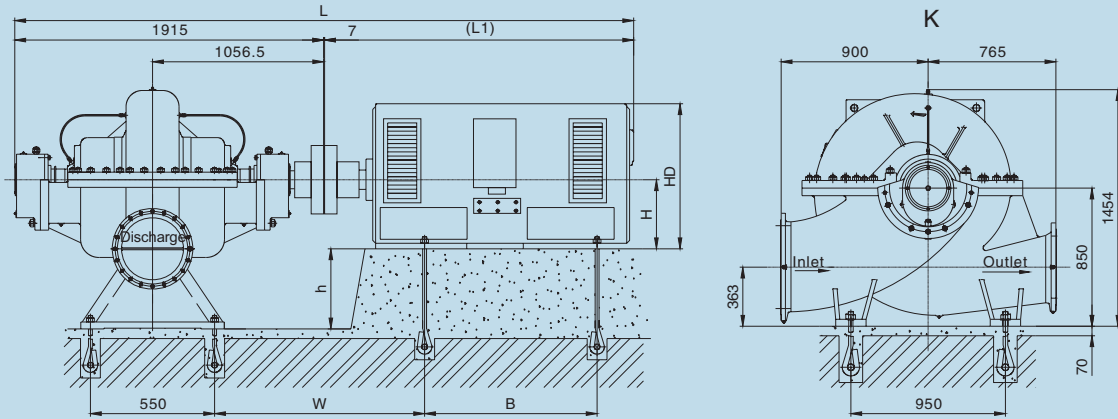
KQSN400- M(N)4 Technical Data



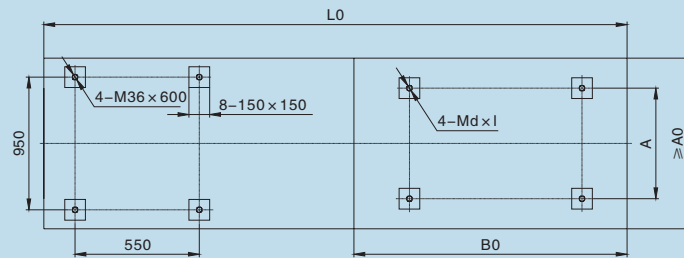
Model	Standard (mm)	Capacity		Head (m)	Speed (r/min)	Power (kW)		Efficiency %	(NPSH) _r (m)	Weight (kg)
		(m³/h)	(l/s)			Shaft Power	Motor Power			
KQSN400-M4	900	1410.0	391.7	305.8	1480	1553.2	2500	75.6	8.8	2780
		2350.0	652.8	278.0		2118.0		84.0		
		2937.5	816.0	226.0		2367.8		76.4		
	835	1353.6	376.0	281.3	1480	1388.3	2240	74.7	8.6	2769
		2256.0	626.7	255.8		1893.2		83.0		
		2820.0	783.3	207.9		2091.3		76.4		
	775	1285.9	357.2	256.0	1480	1214.8	2000	73.8	8.4	2758
		2143.2	595.3	232.7		1656.6		82.0		
	705	1221.6	339.3	233.0	1480	1063.2	*1800/1600	72.9	8.2	2747
		2036.0	565.6	211.8		1449.8		81.0		
2545.1		707.0	172.2	1601.5		74.5				
630	1148	319	207	1480	901	*1600/1400	72	8.1	2731	
	1913.9	531.6	188.5		1228.1		80.0			
		2392	665	153			74			
KQSN400-N4	900	1212.0	336.7	286.0	1480	1263.7	*2240/2000	74.7	8.6	2775
		2020.0	561.1	260.0		1723.2		83.0		
		2525.0	701.4	211.4		1903.5		76.4		
	835	1164.0	323.3	264.0	1480	1134.0	*2000/1800	73.8	8.4	2764
		1940.0	538.9	240.0		1546.3		82.0		
		2425.0	673.6	195.1		1708.1		75.4		
	775	1105.8	307.2	240.9	1480	995.1	*1800/1600	72.9	8.2	2753
		1843.0	511.9	219.0		1357.0		81.0		
		2303.8	639.9	178.0		1499.0		74.5		
	705	1050.0	291.7	220.0	1480	873.7	*1600/1400	72.0	8.1	2742
1750.0		486.1	200.0	1191.4		80.0				
2187.5		607.6	162.6	1316.1		73.6				
630	988	274	196	1480	741	*1400/1250	71	8.0	2731	
	1646.0	457.2	178.0		1010.0		79.0			
		2058	572	145			73			

Note: For the import of at least 2-3 m under normal pressure conditions.

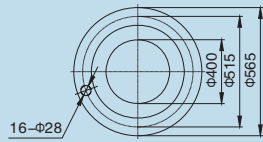
* means that normally a motor with greater power is selected, and if the pump doesn't run at low head a motor with a lower power can be selected



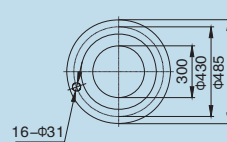
Foundation Dimensions without Base



Suction Flange DN1
PN1.0Mpa



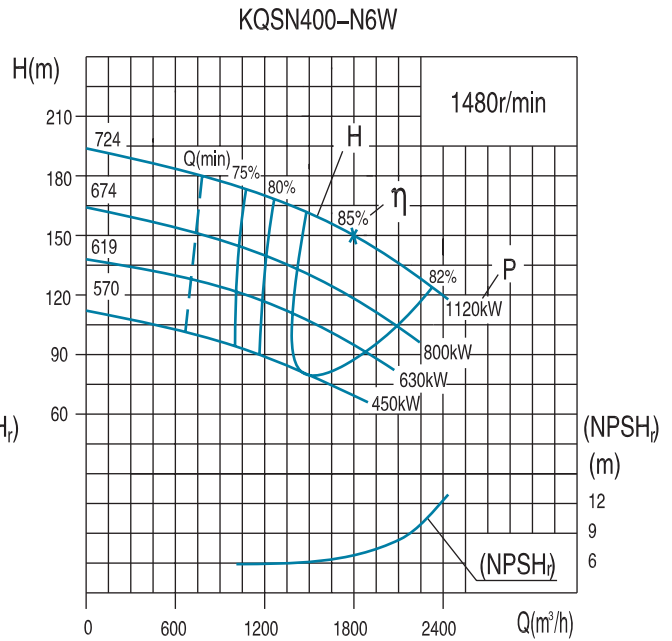
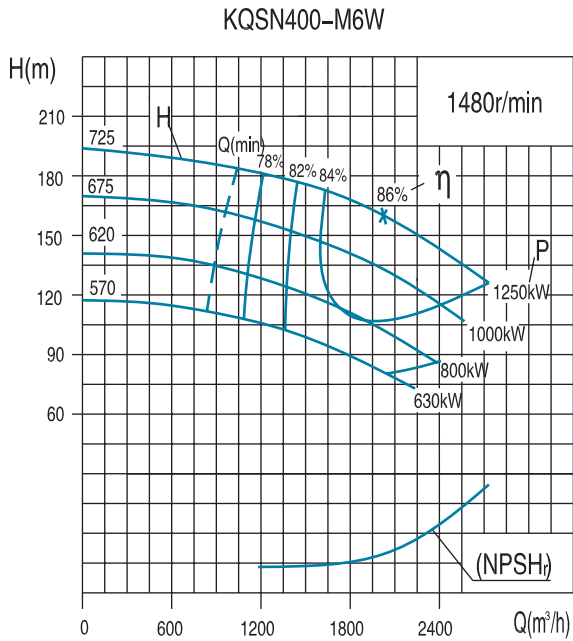
Discharge Flange DN2
PN1.6Mpa



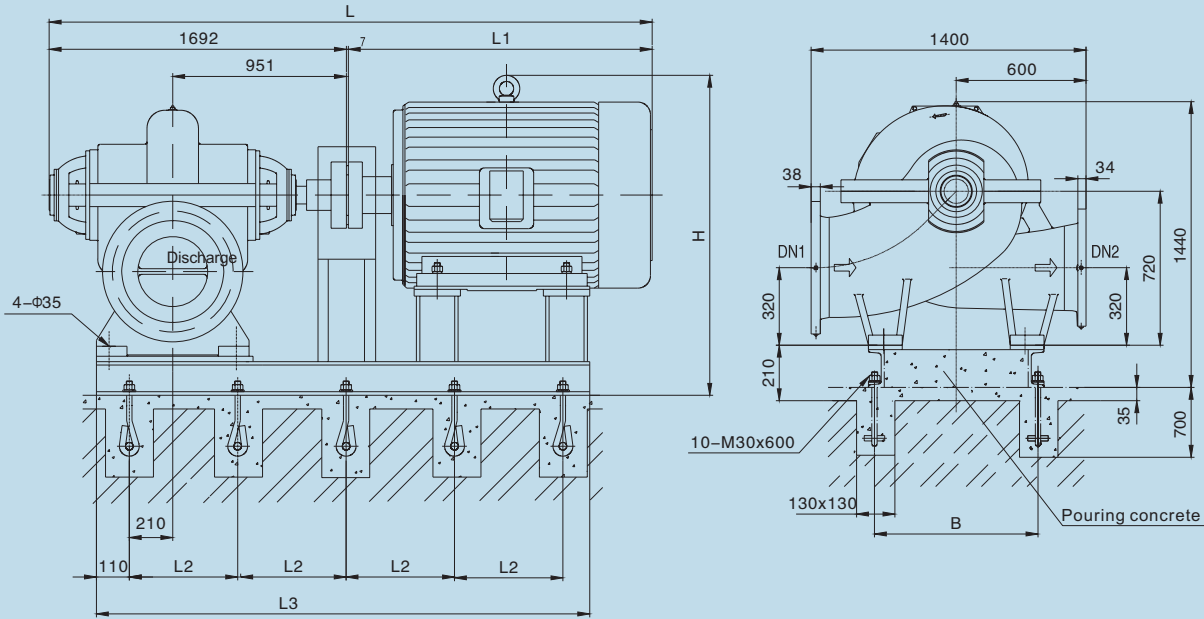
Model	Motor				Dimension (mm)											Weight (kg)	
	Model	Voltage	Class	Power (kW)	L	L1	L0	A0	B0	W	A	B	h	H	HD	d×l	Motor
KQSN400-M4/N4	Y630-4, IMB3	6000	I	2500	4722	2800	4600	1950	2400	1618.5	1120	1600	220	630	1920	42×800	9650
				2240													
	Y560-4, IMB3	6000	I	2000	4322	2400	4300	1800	2200	1538.5	1000	1400	290	560	1760	36×600	7150
				1800													
	Y500-4, IMB3	6000	I	1400	4122	2200	4150	1700	2050	1513.5	900	1250	350	500	1050	36×600	4800
				2240													
Y630-4, IMB3	10000	I	2000	4722	2800	4600	1950	2400	1618.5	1120	1600	220	630	1920	42×800	10600	
			1800														
Y560-4, IMB3	10000	I	1600	4322	2400	4300	1800	2200	1538.5	1000	1400	290	560	1750	36×600	7150	
			1400														

Note: Protection Class I, II, III respectively represent IP23, IP44, IP54

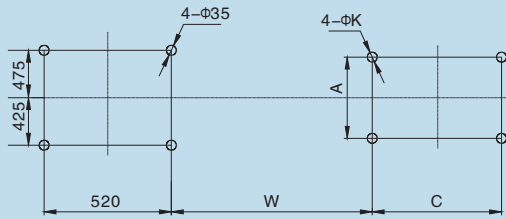
KQSN400- M(N)6W Technical Data



Model	Standard (mm)	Capacity		Head (m)	Speed (r/min)	Power (kW)		Efficiency %	(NPSH) _r (m)	Weight (kg)
		(m³/h)	(l/s)			Shaft Power	Motor Power			
KQSN400-M6W	725	1211	336.3	180	1480	760.9	1250	78	7.0	1855
		2018	560.6	160		1022.4		86		
		2523	700.7	151		1234.9		84		
	675	1151	319.7	157	1480	630.8	1000	78	6.9	1850
		1918	532.8	137		841.9		85		
		2398	666.0	120		944.0		83		
	620	1091	303.0	130	1480	495.1	800	78	6.8	1846
		1818	505.0	111		654.2		84		
		2273	631.3	97		732.1		82		
	570	1025	284.7	108	1480	391.4	630	77	6.7	1845
		1708	474.4	91		510.0		83		
		2135	593.1	76		566.5		78		
KQSN400-N6W	724	1079	299.7	176	1480	662.9	1120	78	6.9	1852
		1798	499.4	150		864.1		85		
		2248	624.3	134		1012.6		81		
	674	983	273.0	146	1480	514.2	800	76	6.8	1849
		1638	455.0	125		671.8		83		
		2048	568.8	108		743.5		81		
	619	929	258.0	123	1480	409.4	630	76	6.7	1846
		1548	430.0	105		539.8		82		
		1935	537.5	89		579.0		81		
	570	875	243.0	98	1480	315.5	450	74	6.6	1842
		1458	405.0	81		397.1		81		
		1823	506.3	68		421.9		80		

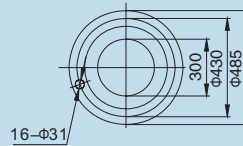
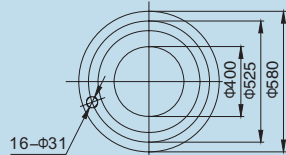


Foundation Dimensions without Base



Suction Flange DN1
PN1.0Mpa

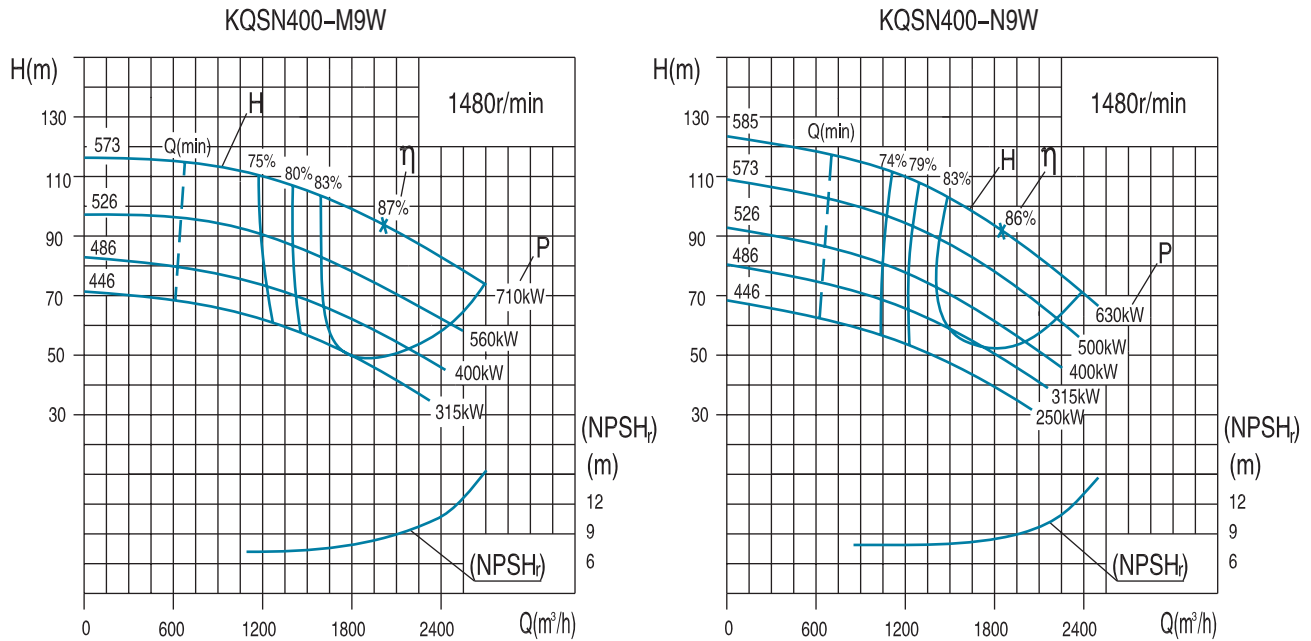
Discharge Flange DN2
PN1.6Mpa



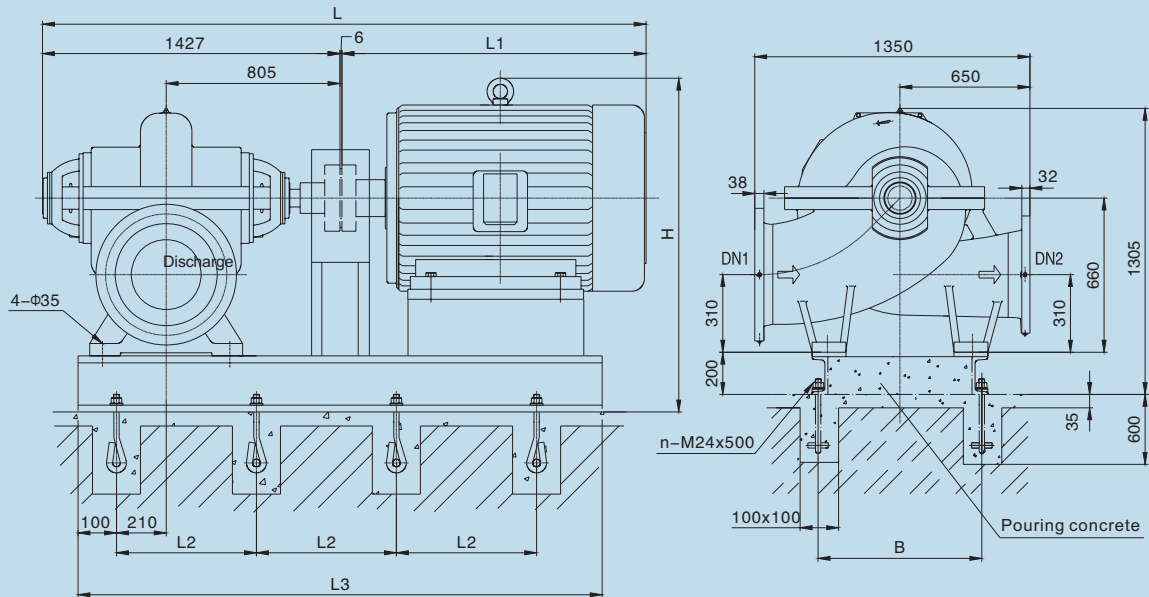
Model	Motor				Dimension (mm)										Weight (kg)	
	Model	Voltage	Class	Power (kW)	L	L1	L2	L3	B	H	W	A	C	K	Motor	Baseplate
KQSN400-M6/N6W	YKK400-4	6000	II/III	450	3780	2250	700	3025	960	2020	1142	710	1000	35	3060	700
	YKK450-4	6000	II/III	630	3740	2210	730	3150	960	2170	1162	800	1120	35	4720	710
	YKK500-4	6000	II/III	800~1120	4080	2550	775	3320	1050	2320	1322	900	1250	42	6030	730
	YKK560-4	6000	II/III	1250	4270	2740	815	3480	1150	2600	1347	1000	1400	42	7800	750
	YKK450-4	10000	II/III	450	3880	2350	970	3150	960	2170	1162	800	1120	35	4490	710
	YKK500-4	10000	II/III	630/800	4030	2500	1020	3287	1050	2120	1282	900	1250	42	6060	730
	YKK560-4	10000	II/III	1000~1120	4230	2700	1085	3477	1150	2525	1347	1000	1400	42	8300	740
	YKK630-4	10000	II/III	1250	4730	3200	1190	3797	1200	2580	1427	1120	1600	48	9900	800

Note: Protection Class I, II, III respectively represent IP23, IP44, IP 54

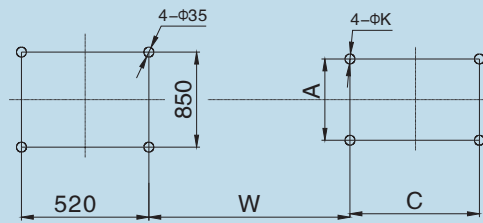
KQSN400- M(N)9W Technical Data



Model	Standard (mm)	Capacity		Head (m)	Speed (r/min)	Power (kW)		Efficiency %	(NPSH) _r (m)	Weight (kg)
		(m³/h)	(l/s)			Shaft Power	Motor Power			
KQSN400-M9W	573	1211	336.3	107	1480	446.6	710	79	8.5	1645
		2018	560.6	94		593.8		87		
		2523	700.7	81		670.4		83		
	526	1123	312.0	89	1480	349.0	560	78	8.4	1643
		1872	520.0	77		461.8		85		
		2340	650.0	66		506.7		83		
	486	1075	298.7	74	1480	281.4	450	77	8.3	1641
		1792	497.8	63		366.0		84		
		2240	622.2	53		394.3		82		
	446	1045	290.3	62	1480	238.5	355	74	8.2	1639
		1742	483.9	51		291.5		83		
		2125	590.3	41		308.2		77		
KQSN400-N9W	585	1110	308.3	112	1480	434.1	630	78	8.4	1644
		1850	513.9	92		539.0		86		
		2313	642.4	74		568.3		82		
	573	1039	288.7	96	1480	348.3	500	78	8.3	1642
		1732	481.1	80		443.9		85		
		2165	601.4	67		481.7		82		
	526	943	262.0	82	1480	277.1	400	76	8.2	1640
		1572	436.7	68		346.6		84		
		1965	545.8	58		378.5		82		
	486	901	250.3	70	1480	235.3	355	73	8.1	1638
		1502	417.2	59		290.8		83		
		1878	521.5	49		309.3		81		
446	877	243.7	58	1480	189.8	280	73	8.0	1636	
	1462	406.1	48		233.1		82			
	1828	507.6	40		248.8		80			

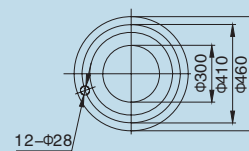
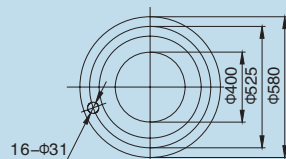


Foundation Dimensions without Base



Suction Flange DN1
PN1.0Mpa

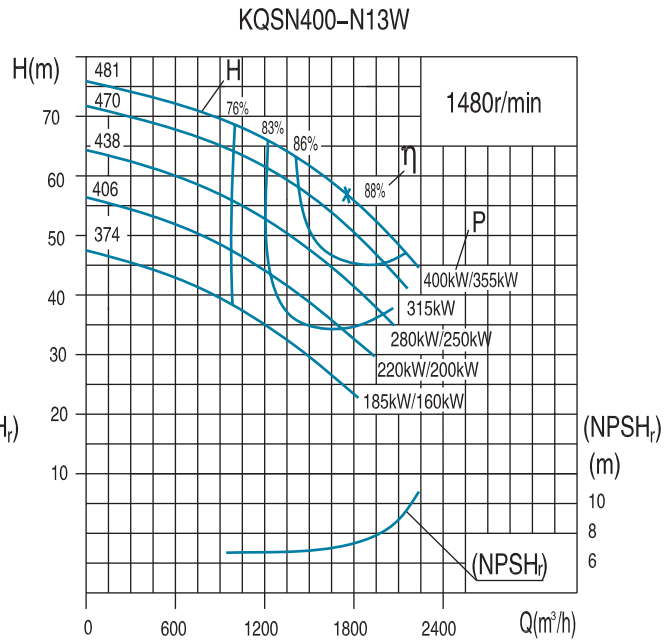
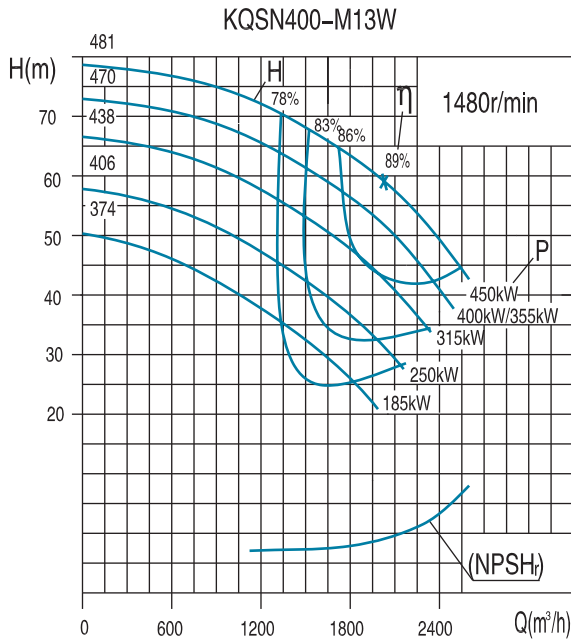
Discharge Flange DN2
PN1.6Mpa



Model	Motor				Dimension (mm)										Weight (kg)		The number of anchor bolts n
	Model	Voltage	Class	Power (kW)	L	L1	L2	L3	B	H	W	A	C	K	Motor	Baseplate	
KQSN400-M9/N9W	Y355L-4	380	III/II	280	3082	1595	710	2330	850	1595	975	610	630	28	2095	686	6
	YKK400-4	6000	III/II	280~450	3737	2250	925	2975	950	1960	1096	710	1000	35	3060	710	8
	YKK450-4	6000	III/II	500~710	3697	2210	965	3100	950	2110	1116	800	1120	35	4890	730	8
	YKK450-4	10000	III/II	280~450	3837	2350	965	3100	950	2110	1116	800	1120	35	4490	730	8
	YKK500-4	10000	III/II	500~710	3987	2500	760	3240	1050	2250	1236	900	1250	42	6030	750	10

Note: Protection Class I, II, III respectively represent IP23, IP44, IP 54
 The dimensions of Jiamusi Motor are shown in the Dimension Table. If another motor needs to be selected, please, confirm the necessary information with Kaiquan Technical Department.

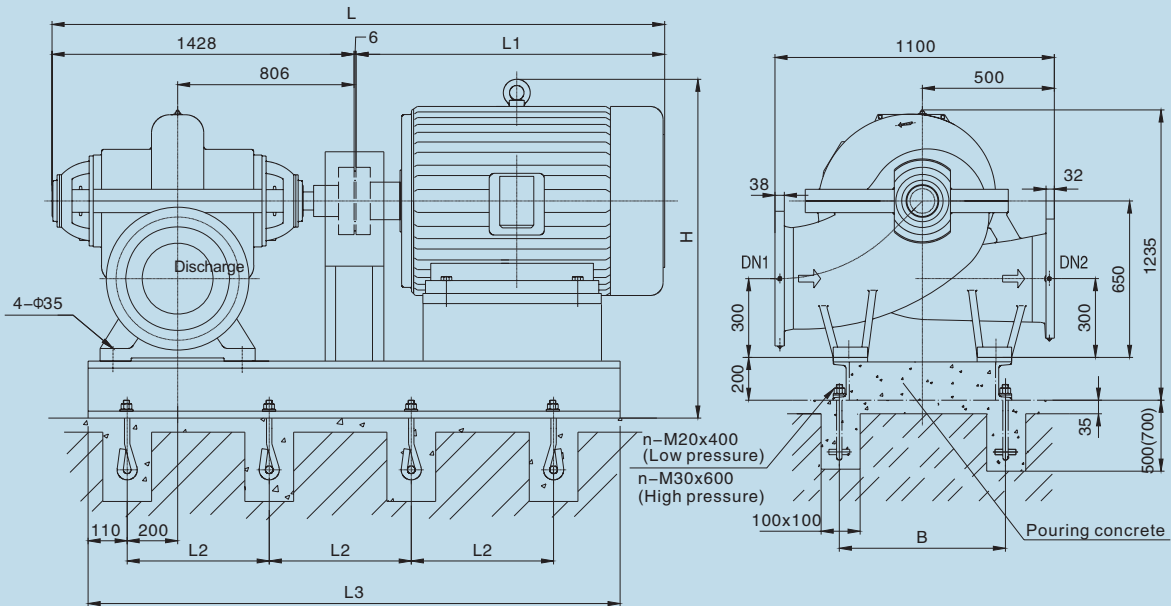
KQSN400- M(N)13W Technical Data



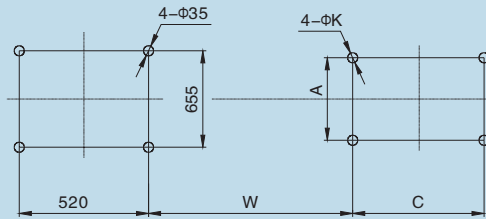
Model	Standard (mm)	Capacity		Head (m)	Speed (r/min)	Power (kW)		Efficiency %	(NPSH) _r (m)	Weight (kg)
		(m³/h)	(l/s)			Shaft Power	Moter Power			
KQSN400-M13W	481	1215	337.5	71	1480	313.2	450	75	7.9	1100
		2025	562.5	59		365.6		89		
		2520	700.0	51		411.8		85		
	470	1211	336.3	65	1480	282.0	*400/355	76	7.8	1097
		2018	560.6	52		324.7		88		
		2502	695.1	43		344.7		85		
	438	1148	319.0	57	1480	237.7	315	75	7.7	1094
		1914	531.7	45		269.6		87		
		2393	664.6	37		287.0		84		
	406	1082	300.7	47	1480	187.2	250	74	7.6	1091
		1804	501.1	37		211.4		86		
		2255	626.4	27		209.9		79		
	374	1016	282.3	38	1480	144.1	185	73	7.5	1088
		1694	470.6	28		152.0		85		
		2118	588.2	20		147.9		78		
KQSN400-N13W	481	1047	290.8	68	1480	255.1	*400/355	76	7.5	1098
		1745	484.7	57		307.8		88		
		2181	605.9	47		340.5		82		
	470	1039	288.7	63	1480	231.6	315	77	7.4	1095
		1732	481.1	52		279.2		87		
		2165	601.4	41		284.4		85		
	438	979	272.0	56	1480	199.1	*280/250	75	7.3	1092
		1632	453.3	45		232.6		86.0		
		2040	566.7	34		233.2		81		
	406	922	256.2	48	1480	162.9	*220/200	74	7.2	1089
		1537	426.9	38		187.1		85		
		1921	533.7	29		187.3		81		
	374	859	238.7	39	1480	125.0	*185/160	73	7.1	1086
		1432	397.8	31		143.9		84		
		1790	497.2	23		141.9		79		

Note: For the import of at least 2-3 m under normal pressure conditions.

* means that normally a motor with greater power is selected, and if the pump doesn't run at low head a motor with a lower power can be selected

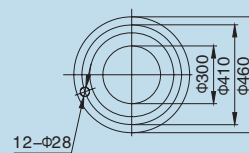
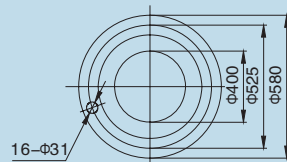


Foundation Dimensions without Base



Suction Flange DN1
PN1.0Mpa

Discharge Flange DN2
PN1.6Mpa

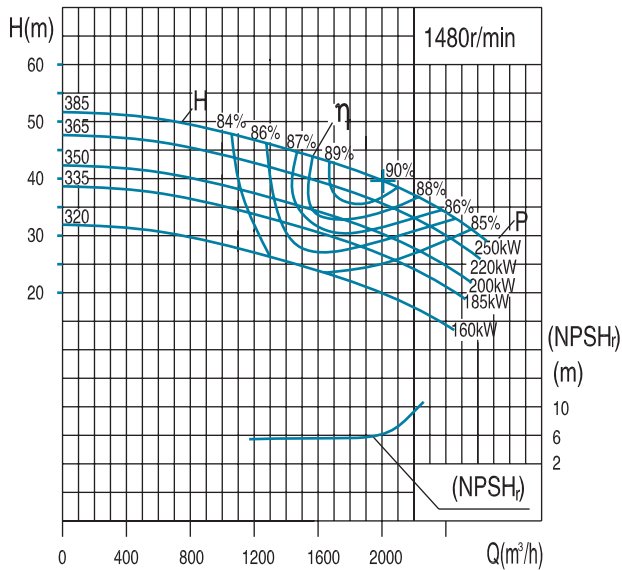


Model	Motor				Dimension (mm)										Weight (kg)		The number of anchor bolts n
	Model	Voltage	Class	Power (kW)	L	L1	L2	L3	B	H	W	A	C	K	Motor	Baseplate	
KQSN400-M13/N13W	Y315L2-4	380	III/II	185/200	2754	1320	950	2125	700	1380	938	508	508	28	1128	647	6
	Y355M-4	380	III/II	220/250	2899	1465	990	2200	700	1545	976	610	560	28	1890	660	6
	Y355L-4	380	III/II	280/315	3029	1595	700	2330	700	1545	976	610	630	28	2180	680	8
	YKK355-4	6000	III/II	185~250	3504	2070	875	2850	700	1915	1077	630	900	28	2650	670	8
	YKK400-4	6000	III/II	280~450	3684	2250	915	2970	810	1910	1097	710	1000	35	3060	680	8
YKK450-4	10000	III/II	220~450	3784	2350	955	3095	920	2060	1117	800	1120	35	4490	700	8	

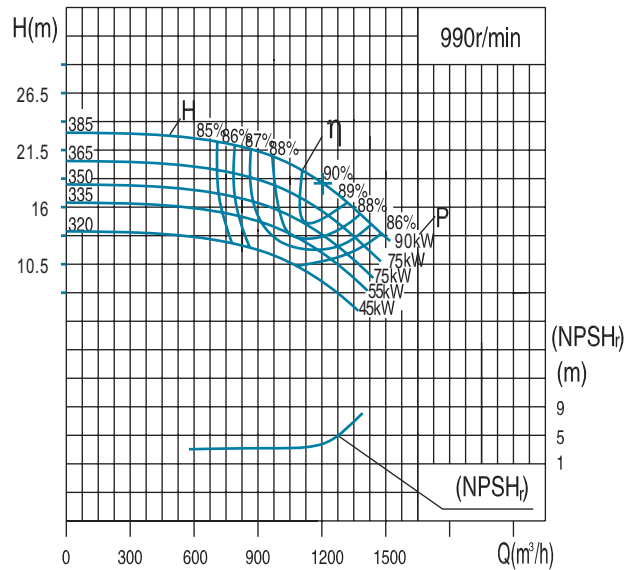
Note: Protection Class I, II, III respectively represent IP23, IP44, IP54

KQSN400- M17S(J) Technical Data

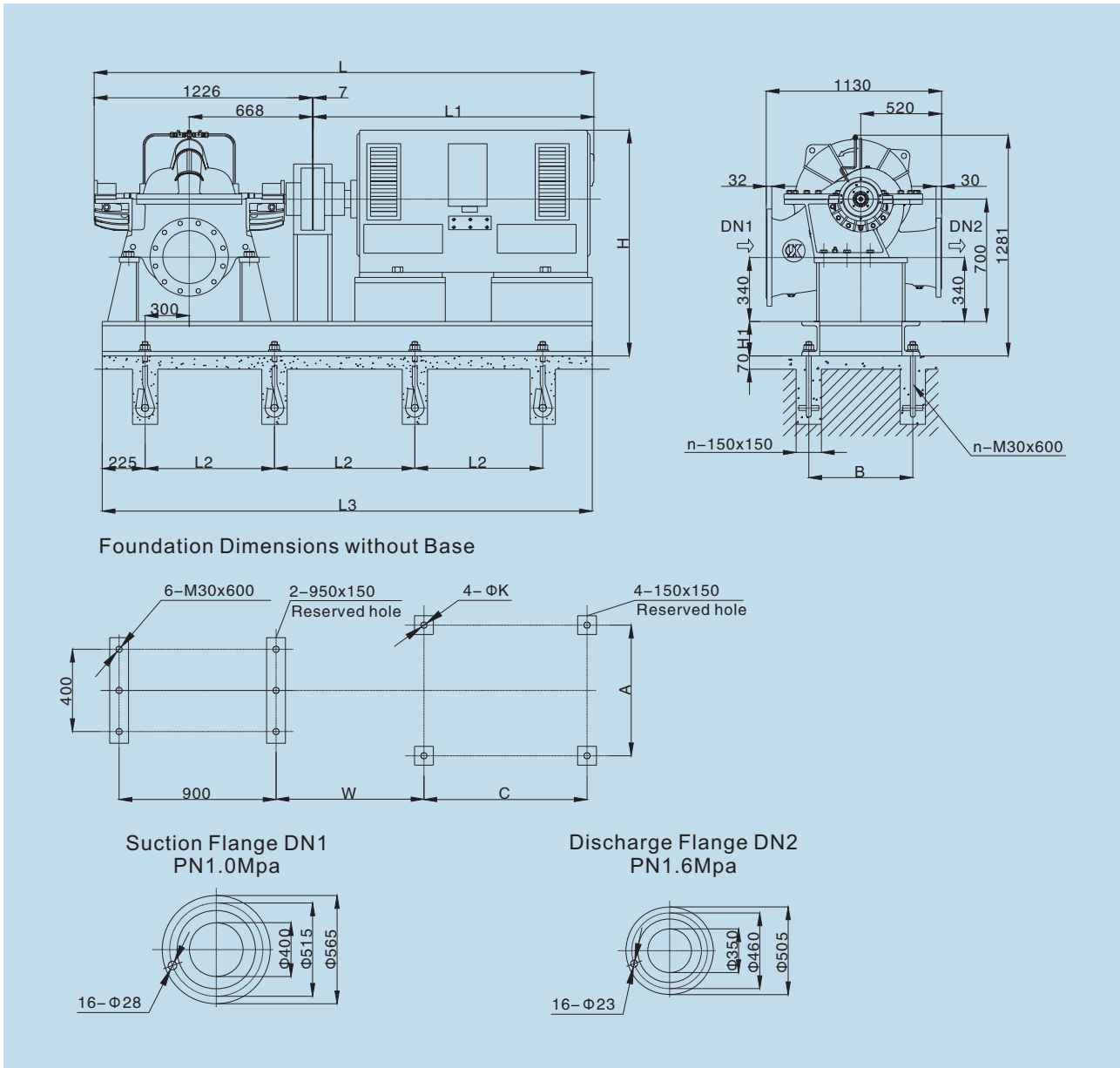
KQSN400-M17S



KQSN400-M17SJ



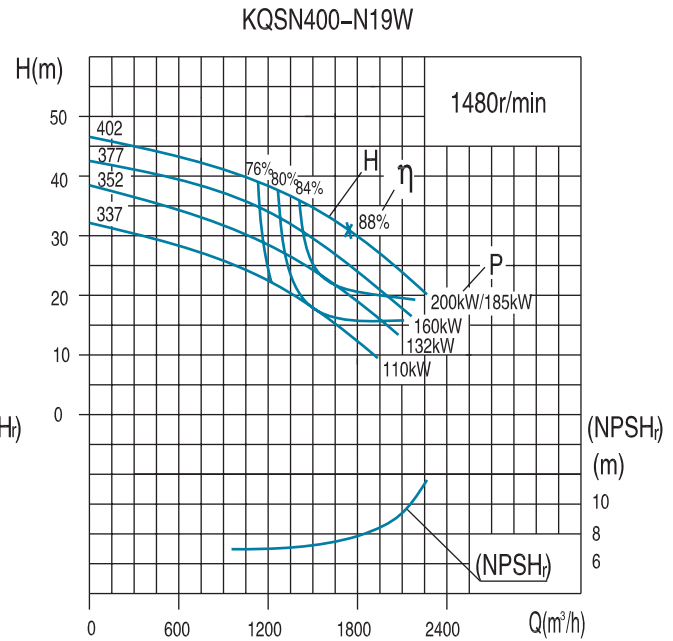
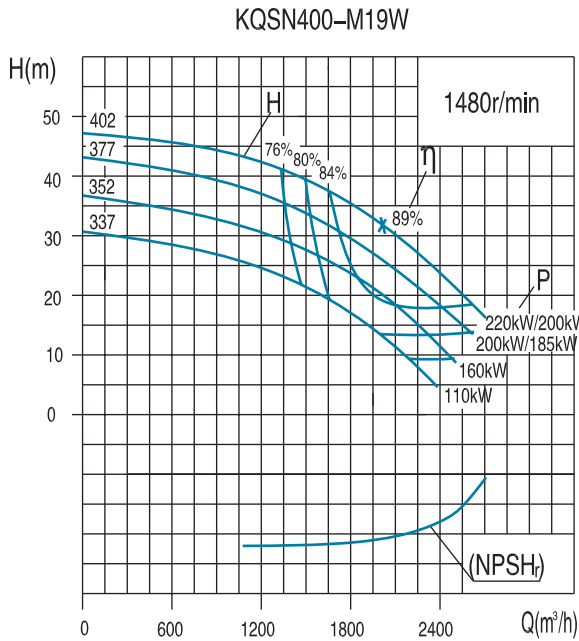
Model	Standard (mm)	Capacity		Head (m)	Speed (r/min)	Power (kW)		Efficiency %	(NPSH) _r (m)	Weight (kg)	
		(m³/h)	(l/s)			Shaft Power	Motor Power				
KQSN400-M17S	385	1089	302.5	47	1480	165.9	250	84.0	6.0	1153	
		1815	504.2	40		219.7		90.0			
		2178	605.0	31		216.3		85.0			
	365	1020	283.3	44		147.3	83.0	5.9			1151
		1700	472.2	38		197.7	89.0				
	2040	566.7	28	185.2		84.0					
	350	972	270.0	39		125.9	82.0	5.8			1149
		1620	450.0	34		170.5	88.0				
	1944	540.0	24	153.1		83.0					
	335	930	258.3	36		112.6	81.0	5.7			1147
1550		430.6	31	150.4	87.0						
1860	516.7	26	160.6	82.0							
320	888	246.7	28	84.6	80.0	5.6	1145				
	1480	411.1	25	118.5	85.0						
1776	493.3	20	119.4	81.0							
KQSN400-M17SJ	385	728	202.3	21	990	49.7	90	84.0	6.0	1153	
		1214	337.2	18		65.8		90.0			
		1457	404.7	14		63.3		87.0			
	365	682	189.5	20		44.1	83.0	5.9			1151
		1137	315.9	17		59.2	89.0				
	1365	379.1	13	53.5		87.0					
	350	650	180.6	17		37.7	82.0	5.8			1149
		1084	301.0	15		51.0	88.0				
	1300	361.2	11	43.7		87.0					
	335	622	172.8	16		33.7	81.0	5.7			1147
1037		288.0	14	45.0	87.0						
1244	345.6	12	46.4	85.0							
320	594	165.0	13	25.3	80.0	5.6	1145				
	990	275.0	11	34.9	86.5						
1188	330.0	9	33.7	86.0							



Model	Motor				Dimension (mm)											Weight (kg)		The number of anchor bolts n
	Model	Voltage	Class	Power (kW)	L	L1	L2	L3	B	H	H1	W	A	C	K	Motor	Baseplate	
KQSN400-M17S	YE3-355M2-4	380	III / II	220/250	2763	1530	600	2350	700	1375	180	649	610	630	28	1750	700	8
	YE3-315L2-4	380	III / II	200	2583	1350	600	2250	700	1315	180	611	508	508	28	1280	700	8
	YE3-315L2-4	380	III / II	185	2583	1350	600	2250	700	1315	180	611	508	508	28	1280	700	8
	YE3-315L1-4	380	III / II	160	2583	1350	600	2250	700	1315	180	611	508	508	28	1280	700	8
KQSN400-M17SJ	YE3-315L2-6	380	III / II	132	2583	1350	600	2200	700	1315	180	611	508	508	28	1240	650	8
	YE3-315L1-6	380	III / II	110	2583	1350	600	2200	700	1315	180	611	508	508	28	1220	650	8
	YE3-315M-6	380	III / II	90	2583	1350	600	2200	700	1315	180	611	508	508	28	1150	650	8
	YE3-315S-6	380	III / II	75	2583	1350	550	2100	700	1315	180	611	508	406	28	1050	650	8

Note: Protection Class I, II, III respectively represent IP23, IP44, IP 54

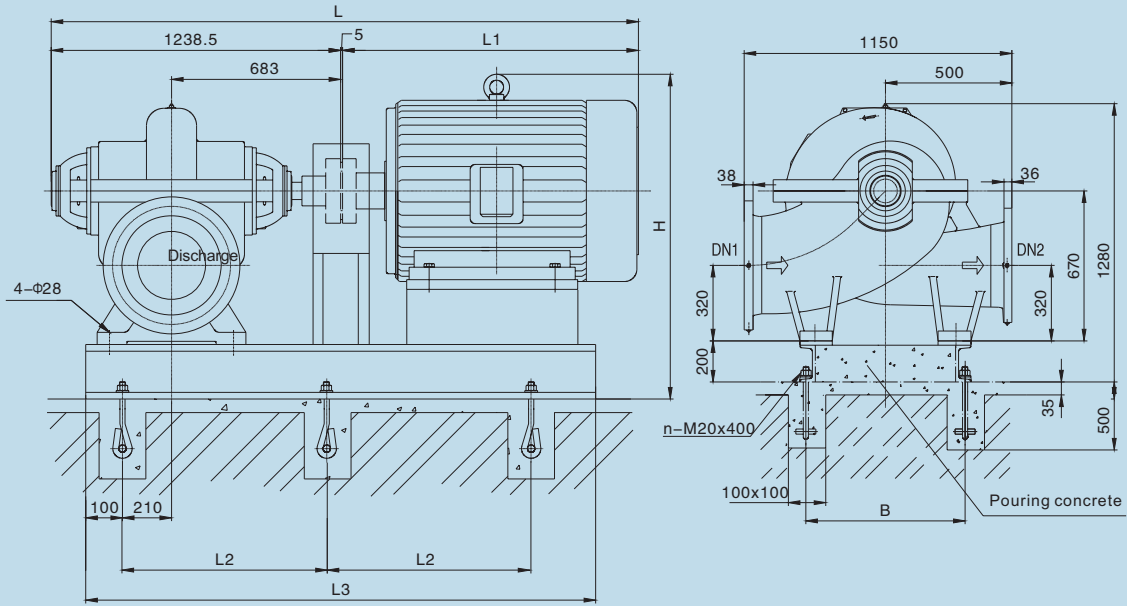
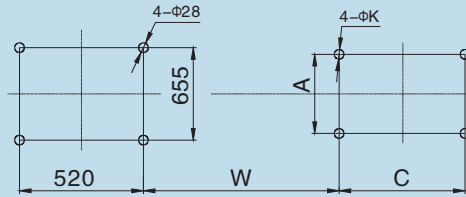
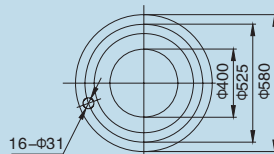
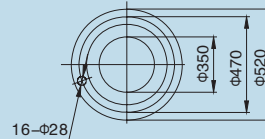
KQSN400- M(N)19W Technical Data



Model	Standard (mm)	Capacity		Head (m)	Speed (r/min)	Power (kW)		Efficiency %	(NPSH) _r (m)	Weight (kg)
		(m³/h)	(l/s)			Shaft Power	Motor Power			
KQSN400-M19W	402	1211	336.3	43	1480	189.1	*220	75	7.9	1025
		2018	560.6	32	197.6	89				
		2523	700.7	24	203.5	81				
	377	1181	328.0	37	1480	158.6	*200/185	75	7.8	1023
		1968	546.7	27	164.4	88				
		2460	683.3	19	159.1	80				
		352	1151	319.7	31	1480	131.3	160	74	7.6
	1918		532.8	22	132.1	87				
	2398	666.0	13	107.4	79					
	337	1121	311.3	25	1480	104.5	110	73	7.5	1020
1868		518.9	16	94.6	86					
	2335	648.6	8	67.8	75					
	KQSN400-N19W	402	1039	288.7	39	1480	145.2	*200/185	76	7.8
1732			481.1	31	166.2	88				
2165			601.4	24	166.5	85				
377		985	273.7	34	1480	120.0	160	76	7.7	1022
		1642	456.1	27	138.8	87				
		2053	570.1	20	136.3	82				
		352	943	262.0	29	1480	100.7	132	74	7.6
1572			436.7	23	115.8	85				
	1965	545.8	16	105.7	81					
	337	901	250.3	25	1480	84.0	110	73	7.5	1019
1502		417.2	18	87.7	84					
	1878	521.5	12	77.7	79					

Note: For the import of at least 2-3 m under normal pressure conditions.

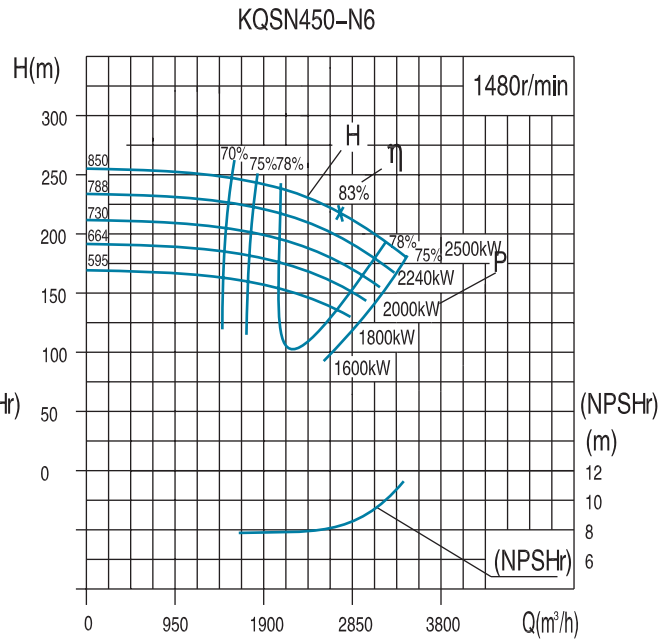
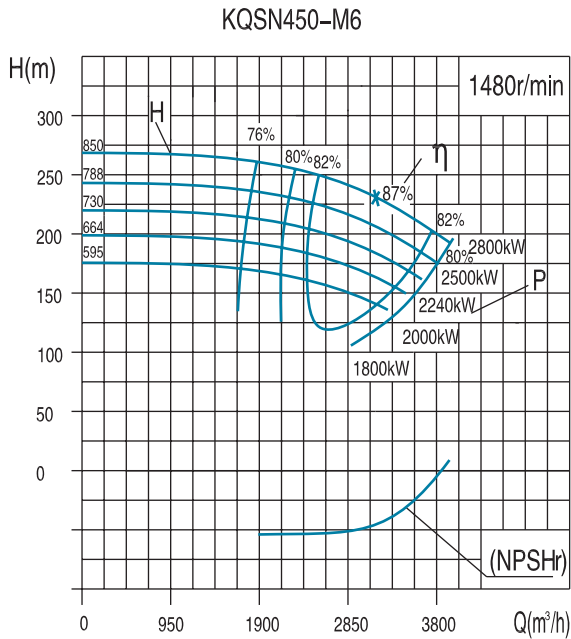
* means that normally a motor with greater power is selected, and if the pump doesn't run at low head a motor with a lower power can be selected


Foundation Dimensions without Base

**Suction Flange DN1
PN1.0Mpa**

**Discharge Flange DN2
PN1.6Mpa**


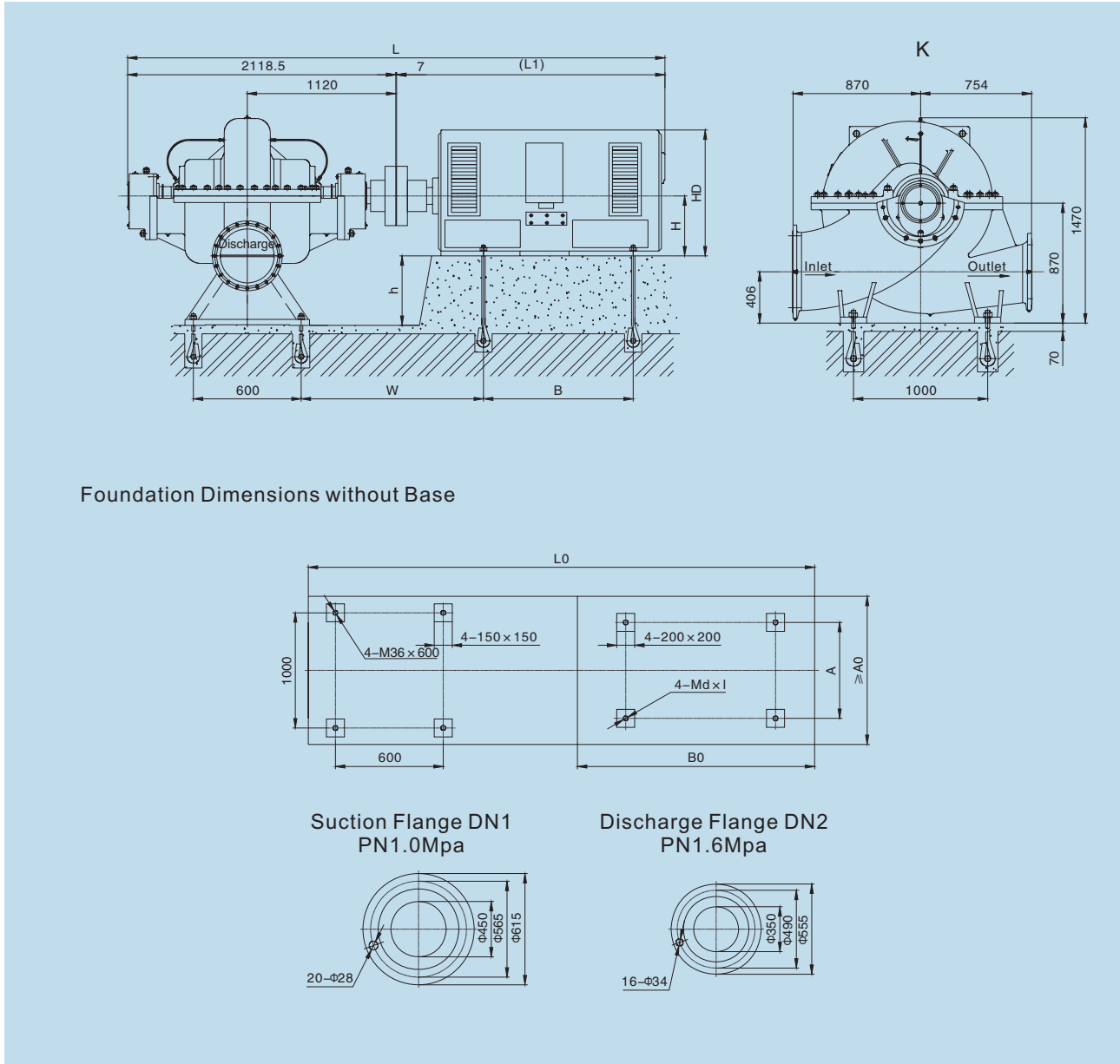
Model	Motor				Dimension (mm)										Weight (kg)		The number of anchor bolts n
	Model	Voltage	Class	Power (kW)	L	L1	L2	L3	B	H	W	A	C	K	Motor	Baseplate	
KQSN400-M19/N19W	Y315S-4	380	III/II	110	2453.5	1210	850	1900	700	1400	814	508	406	28	910	620	6
	Y315M-4	380	III/II	132	2563.5	1320	900	2000	700	1400	814	508	457	28	1002	630	6
	Y315L-4	380	III/II	160~200	2563.5	1320	900	2000	700	1400	814	508	508	28	1128	630	6
	Y355M-4	380	III/II	220	2708.5	1465	935	2075	700	1565	852	610	560	28	1820	635	6
	YKK355-4	6000	III/II	185~220	3493.5	2250	840	2725	740	1935	953	630	900	28	2600	645	8
	YKK450-4	10000	III/II	220	3593.5	2350	925	2975	920	2080	993	800	1120	35	3700	660	8

Note: Protection Class I, II, III respectively represent IP23, IP44, IP 54

KQSN450- M(N)6 Technical Data



Model	Standard (mm)	Capacity		Head (m)	Speed (r/min)	Power (kW)		Efficiency %	(NPSH)r (m)	Weight (kg)
		(m³/h)	(l/s)			Shaft Power	Motor Power			
KQSN450-M6	850	1890.0	525.0	254.1	1480	1670.3	2800	78.3	8.5	2850
		3150.0	875.0	231.0		2277.7		87.0		
		3937.5	1093.8	192.5		2608.9		79.1		
	788	1814.4	504.0	231.2	1480	1476.2	2500	77.4	8.3	2845
		3024.0	840.0	210.2		2013.0		86.0		
		3780.0	1050.0	175.2			2279.2	79.1		
730	1723.7	478.8	210.4	1480	1291.2	2240	76.5	8.1	2840	
	2872.8	798.0	191.3		1760.7		85.0			
		3591.0	997.5	159.4			1993.5	78.2		
664	1637.5	454.9	191.5	1480	1129.5	2000	75.6	8.0	2836	
	2729.2	758.1	174.1		1540.2		84.0			
		3411.5	947.6	145.1			1743.9	77.3		
595	1539	428	170	1480	956	1800	75	7.9	2832	
	2565.4	712.6	154.9		1304.1		83.0			
		3207	891	129			1477	76		
KQSN450-N6	850	1632.0	453.3	239.8	1480	1426.7	2500	74.7	8.4	2845
		2720.0	755.6	218.0		1945.6		83.0		
		3400.0	944.4	181.7		2202.9		76.4		
	788	1566.7	435.2	220.6	1480	1275.5	2240	73.8	8.2	2840
		2611.2	725.3	200.6		1739.3		82.0		
		3264.0	906.7	167.1			1969.3	75.4		
730	1488.4	413.4	200.8	1480	1116.3	2000	72.9	8.0	2835	
	2480.6	689.1	182.5		1522.2		81.0			
		3100.8	861.3	152.1			1723.5	74.5		
664	1414.0	392.8	182.7	1480	977.1	1800	72.0	7.9	2832	
	2356.6	654.6	166.1		1332.4		80.0			
		2945.8	818.3	138.4			1508.6	73.6		
595	1329	369	163	1480	828	1600	71	7.8	2828	
	2215.2	615.3	147.8		1128.8		79.0			
		2769	769	123			1278	73		

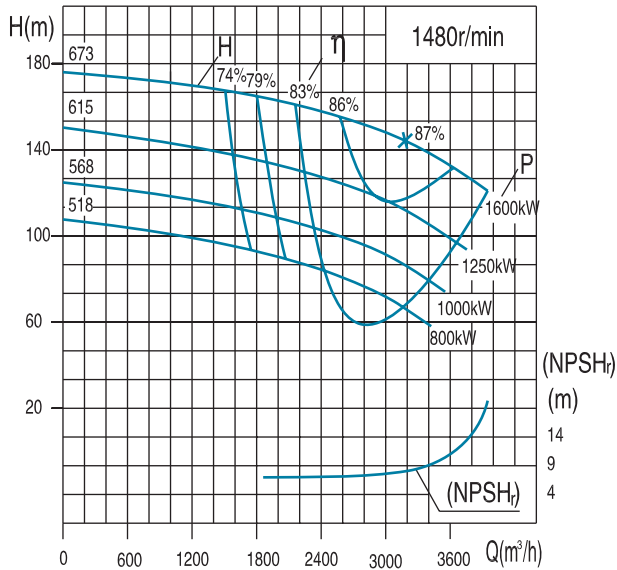


Model	Motor			Dimension (mm)											d×l	Weight (kg) Model	
	Model	Voltage	Class	Power (kW)	L	L1	L0	A0	B0	W	A	B	h	H			HD
KQSN450-M6/N6	Y630-4、IMB3	6000	I	2800	4925.5	2800	4600	1950	2400	1657	1120	1600	240	630	1920	42×800	10450
				2500													
				2240													
	Y560-4、IMB4	6000	I	2000	4525.5	2400	4400	1800	2200	1577	1000	1400	310	560	1760	36×600	7150
				1800													
	Y710-4、IMB3	10000	I	2500	5325.5	3200	5000	2400	2800	1707	1400	1800	160	710	2220	48×1000	12500
2240																	
2000																	
Y630-4、IMB3	10000	I	2000	4925.5	2800	4600	1950	2400	1657	1120	1600	240	630	1920	42×800	10600	
			1800														
Y560-4、IMB3	10000	I	1600	4322	2400	4300	1800	2200	1539	1000	1400	290	560	1750	36×600	7150	

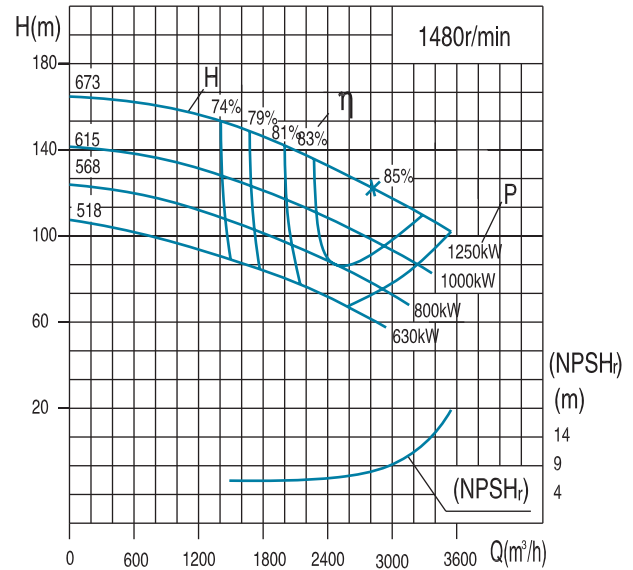
Note: Protection Class I, II, III respectively represent IP23, IP44, IP 54

KQSN450- M(N)8W Technical Data

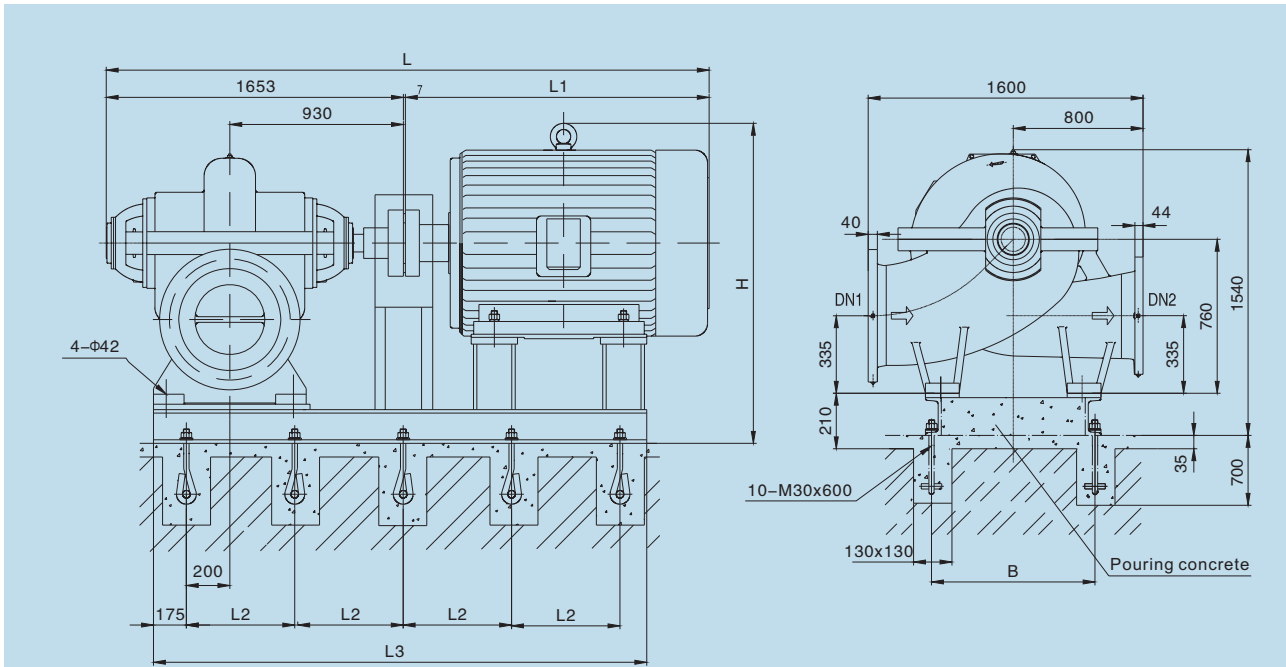
KQSN450-M8W



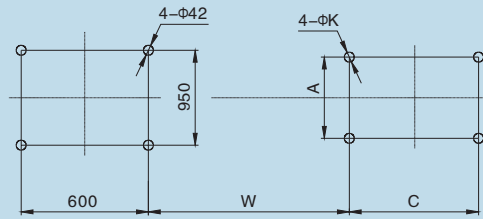
KQSN450-N8W



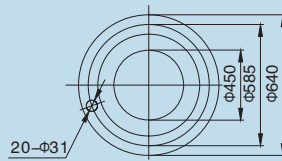
Model	Standard (mm)	Capacity		Head (m)	Speed (r/min)	Power (kW)		Efficiency %	(NPSH) _r (m)	Weight (kg)
		(m ³ /h)	(l/s)			Shaft Power	Motor Power			
KQSN450-M8W	673	1907	529.6	164	1480	1077.4	1600	79	8.5	2367
		3178	882.7	144		1432.5		87		
		3813	1059.2	127		1590.9		83		
	615	1796	499.0	135	1480	845.5	1250	78	8.4	2364
		2994	831.6	116		1103.8		86		
		3593	998.0	101		1206.4		82		
	568	1718	477.1	113	1480	693.1	1000	76	8.3	2362
		2863	795.2	95		871.2		85		
	518	1655	459.9	95	1480	571.0	800	75	8.2	2360
		2759	766.4	77		689.3		84		
		3311	919.7	66		751.9		79		
	KQSN450-N8W	673	1693	470.2	147	1480	869.1	1250	78	8.4
2821			783.6	123	1107.7		85			
3385			940.3	107	1220.5		81			
615		1583	439.8	123	1480	689.8	1000	77	8.3	2363
		2639	733.1	103		878.2		84		
		3167	879.7	87		941.4		80		
568		1487	413.1	107	1480	587.0	800	74	8.2	2361
		2479	688.6	87		710.2		83		
518		2975	826.3	75	1480	769.8	630	79	8.1	2359
		1401	389.2	89		464.4		73		
		2335	648.6	73		564.3		82		
		2802	778.4	63		614.5		78		



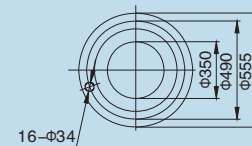
Foundation Dimensions without Base



Suction Flange DN1
PN1.0Mpa



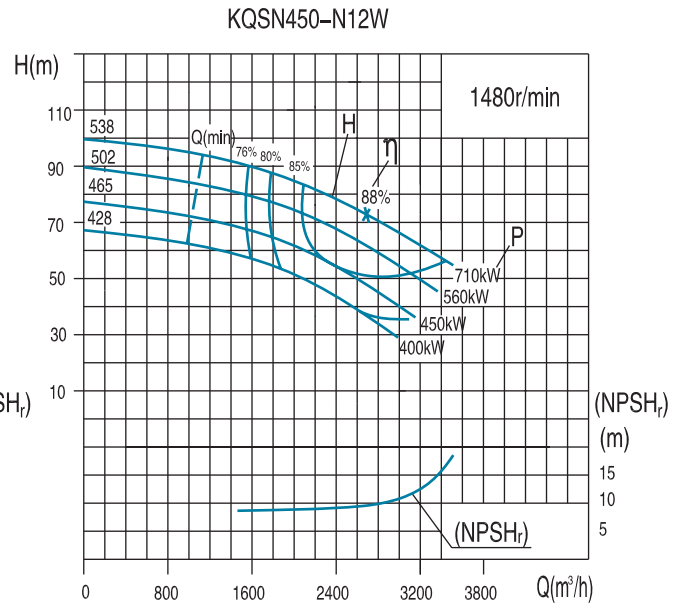
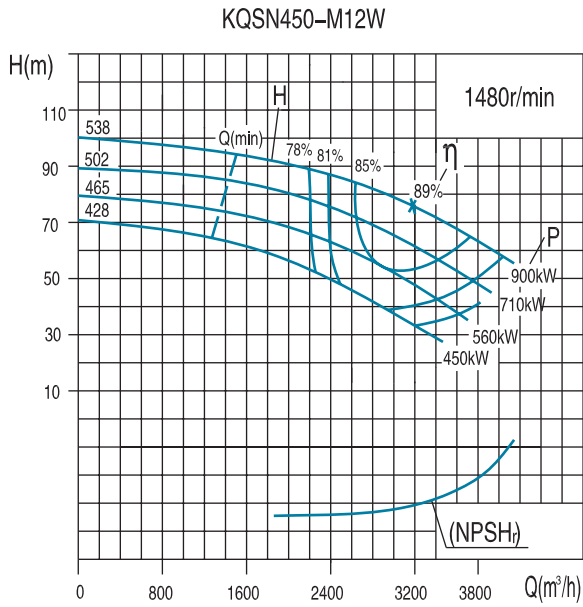
Discharge Flange DN2
PN1.6Mpa



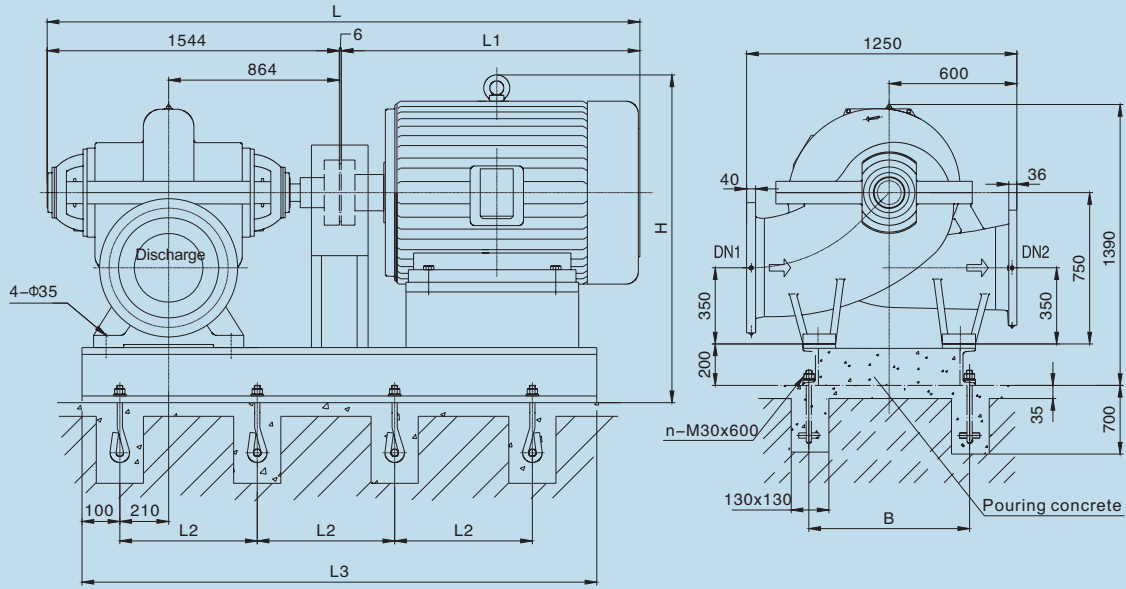
Model	Motor				Dimension (mm)									Weight (kg)		
	Model	Voltage	Class	Power (kW)	L	L1	L2	L3	B	H	W	A	C	K	Motor	Baseplate
KQSN450-M8/N8W	YKK450-4	6000	III/II	630	3870	2210	730	3285	1110	2180	1202	800	1120	35	4720	1060
	YKK500-4	6000	III/II	800~1120	4210	2550	775	3465	1200	2330	1362	900	1250	42	6030	1090
	YKK560-4	6000	III/II	1250~1600	4400	2740	815	3615	1300	2610	1387	1000	1400	42	8300	1120
	YKK500-4	10000	III/II	630~800	4160	2500	765	3425	1200	2320	1322	900	1250	42	6060	1085
	YKK560-4	10000	III/II	1000	4360	2700	815	3615	1300	2535	1387	1000	1400	42	8050	1100
	YKK630-4	10000	III/II	1250~1600	4860	3200	895	3935	1300	2590	1467	1120	1600	48	10400	1150

Note: Protection Class I, II, III respectively represent IP23, IP44, IP 54

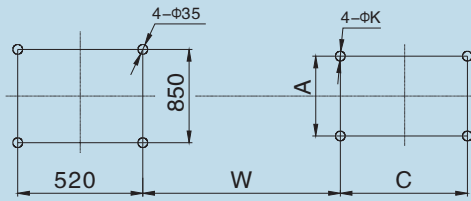
KQSN450- M(N)12W Technical Data



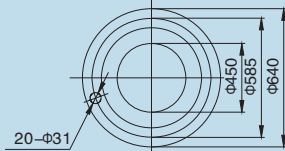
Model	Standard (mm)	Capacity		Head (m)	Speed (r/min)	Power (kW)		Efficiency %	(NPSH) _r (m)	Weight (kg)		
		(m ³ /h)	(l/s)			Shaft Power	Motor Power					
KQSN450-M12W	538	1908	530.0	89	1480	600.6	900	77	9.6	1730		
		3180	883.3	76		739.5		89				
		3975	1104.2	64		866.0		80				
	502	1776	493.3	80		502.5	710	77			9.5	1728
		2960	822.2	66		611.5		87				
		3700	1027.8	54		688.8		79				
	465	1716	476.7	69		424.3	560	76			9.4	1726
		2860	794.4	55		504.0		85				
		3575	993.1	41		518.4		77				
	428	1614	448.3	56		328.2	450	75			9.3	1724
		2690	747.2	44		393.1		82				
		3363	934.0	33		397.6		76				
KQSN450-N12W	538	1614	448.3	89	1480	501.5	710	78	9.5	1729		
		2690	747.2	73		607.7		88				
		3363	934.0	62		675.9		84				
	502	1494	415.0	80		428.3	560	76			9.4	1727
		2490	691.7	66		514.4		87				
		3113	864.6	51		520.8		83				
	465	1392	386.7	69		348.8	450	75			9.3	1725
		2320	644.4	56		416.3		85				
		2900	805.6	46		443.0		82				
	428	1368	380.0	57		283.1	400	75			9.2	1723
		2280	633.3	46		344.1		83				
		2850	791.7	35		362.2		75				



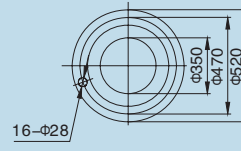
Foundation Dimensions without Base



Suction Flange DN1
PN1.0Mpa



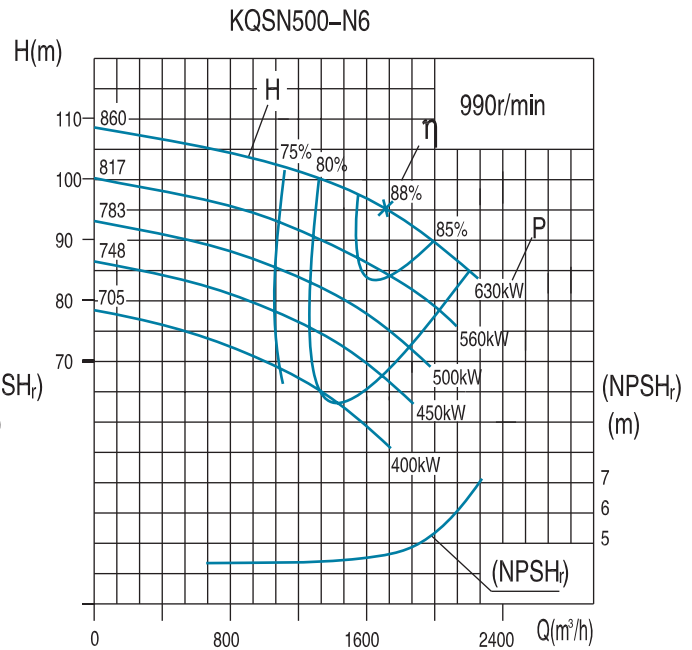
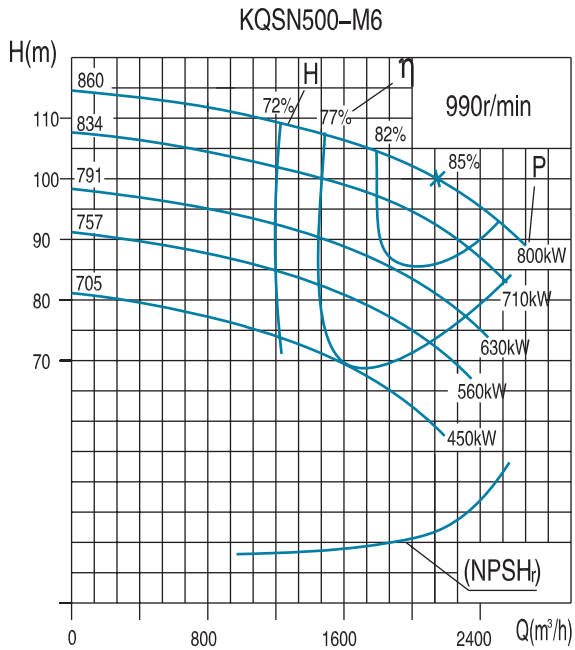
Discharge Flange DN2
PN1.6Mpa



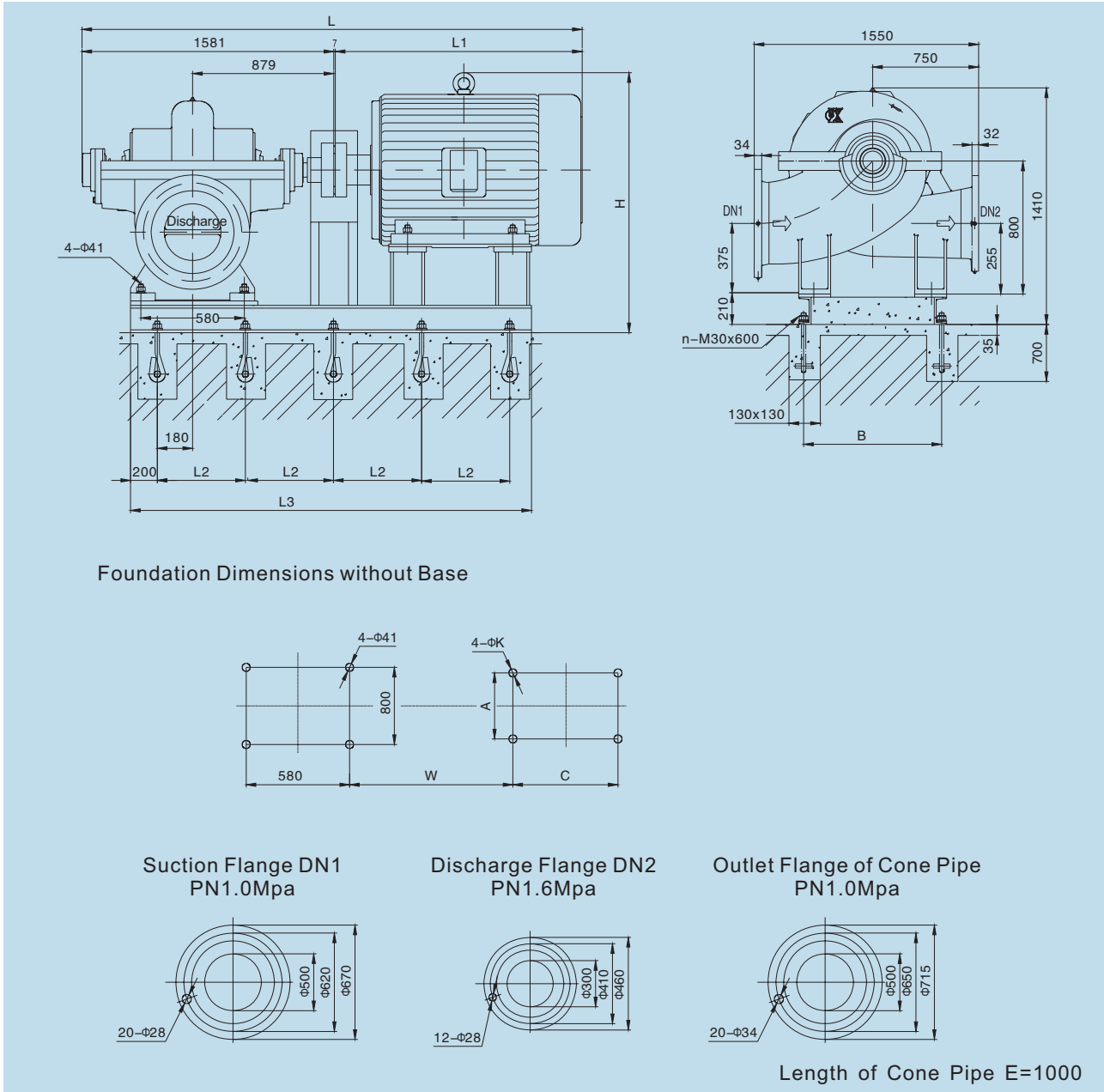
Model	Motor				Dimension (mm)										Weight (kg)		The number of anchor bolts n
	Model	Voltage	Class	Power (kW)	L	L1	L2	L3	B	H	W	A	C	K	Motor	Baseplate	
KQSN450-M12/N12W	YKK400-4	6000	III/II	400/450	3800	2250	930	3000	900	2010	1154	710	1000	35	3060	800	8
	YKK450-4	6000	III/II	500~710	3760	2210	970	3120	950	2160	1175	800	1120	35	4890	830	8
	YKK500-4	6000	III/II	800/900	4100	2550	775	3300	1000	2310	1335	900	1250	42	5660	900	10
	YKK450-4	10000	III/II	400/450	3900	2350	970	3120	950	2160	1175	800	1120	35	4490	830	8
	YKK500-4	10000	III/II	500~800	4050	2500	765	3260	1050	2300	1295	900	1250	42	6060	860	10
	YKK560-4	10000	III/II	900	4250	2700	810	3450	1100	2515	1360	1000	1400	42	7800	920	10

Note: Protection Class I, II, III respectively represent IP23, IP44, IP 54

KQSN500- M(N)6 Technical Data



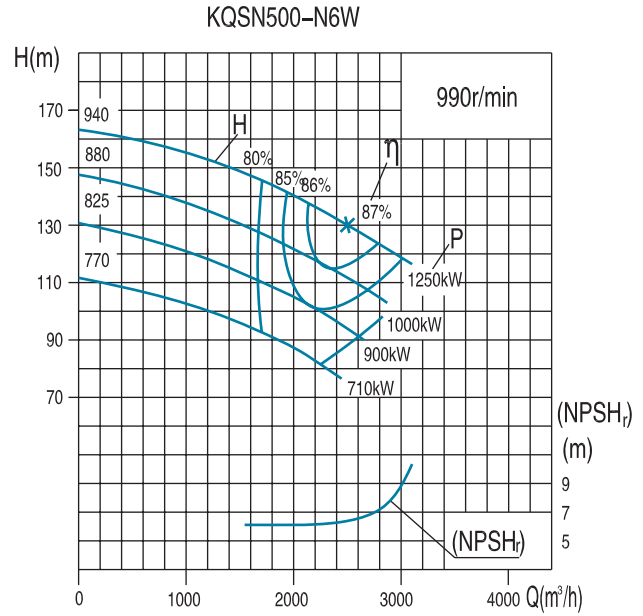
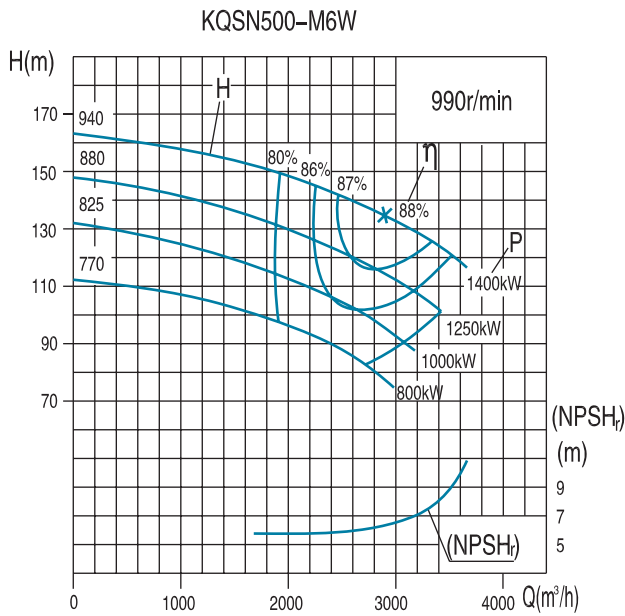
Model	Standard (mm)	Capacity		Head (m)	Speed (r/min)	Power (kW)		Efficiency %	(NPSH) _r (m)	Weight (kg)	
		(m³/h)	(l/s)			Shaft Power	Moter Power				
KQSN500-M6	860	1298	360.5	108	990	508.9	800	75	4.6	2608	
		2163	600.8	100		693.0		85			
		2596	721.0	90		795.0		80			
	834	1206	335.0	101	990	454.4	710	73	4.5	2608	
		2010	558.3	93		614.4		83			
		2412	670.0	85		706.8		79			
	791	1194	331.7	92	990	421.3	630	71	4.4	2604	
		1990	552.8	84		560.7		81			
	757	1142	1904	528.9	77	990	383.3	560	69	4.3	2602
			2285	634.7	69		503.3		79		
2285			634.7	69	550.3		77				
705	1064	1773	492.5	67	990	324.3	500	67	4.2	2600	
		2128	591	60		417.5		77			
		2128	591	60		457.4		76			
KQSN500-N6	860	1028	285.7	103	990	406.3	630	71	4.5	2606	
		1714	476.1	95		503.9		88			
		2057	571.3	88		605.1		81			
	817	977	1628	452.3	86	990	362.5	560	69	4.4	2604
			1954	542.8	80		442.1		86		
			1954	542.8	80		532.1		80		
	783	936	1560	433.3	79	990	330.9	500	67	4.3	2602
			1872	519.9	72		397.8		84		
			1872	519.9	72		464.6		79		
	748	895	1491	414.2	72	990	299.9	450	65	4.1	2600
1789			497.1	65	356.1		82				
1789			497.1	65	406.1		78				
705	843	1406	390.4	64	990	262.5	400	63	4.0	2598	
		1687	468.5	57		305.6		80			
								77			



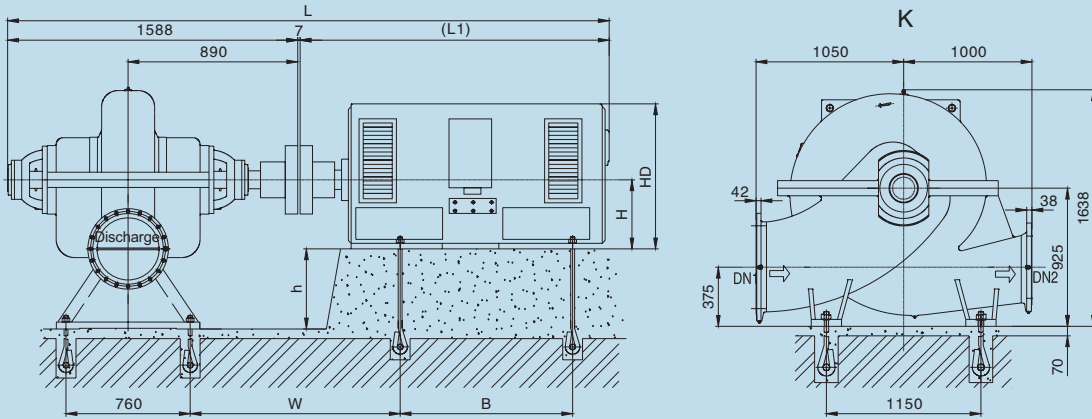
Model	Motor				Dimension (mm)										Weight (kg)		The number of anchor bolts n
	Model	Voltage	Class	Power (kW)	L	L1	L2	L3	B	H	W	A	C	K	Motor	Baseplate	
KQSN500-M6/N6	Y500-6	6000	I /II	800/710	4508	2920	760	3481	1050	1550	1321	900	1250	42	4020	810	10
	Y450-6	6000	I /II	630~450	4198	2610	700	3240	960	1495	1201	800	1120	35	3700	800	10
	Y400-6	6000	I /II	400	3898	2310	870	3066	960	1445	1141	710	1000	35	2590	794	8
	Y500-6	10000	I /II	800~500	3788	2200	750	3400	1050	1560	1321	900	1250	42	5050	915	10
	Y450-6	10000	I /II	450/400	3638	2050	700	3230	960	1510	1161	800	1120	35	3377	800	10
	Y400L-6	380	III/II	400	3508	1920	760	2788	960	1650	1086	686	710	35	3400	786	8

Note: Protection Class I , II ,III respectively represent IP23, IP44, IP 54

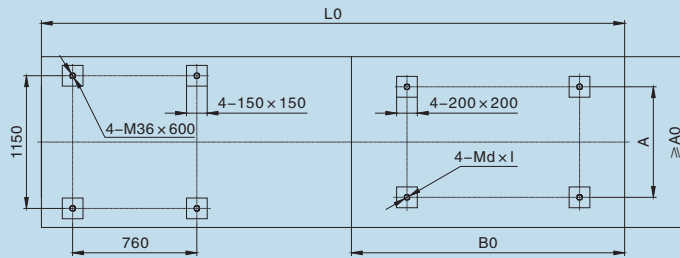
KQSN500- M(N)6W Technical Data



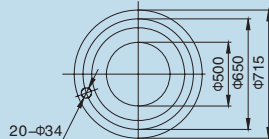
Model	Standard (mm)	Capacity		Head (m)	Speed (r/min)	Power (kW)		Efficiency %	(NPSH) _r (m)	Weight (kg)
		(m³/h)	(l/s)			Shaft Power	Moter Power			
KQSN500-M6W	940	1902	528.3	151	990	1029.1	1400	76	6.8	3150
		2900	805.6	135		1211.6		88		
		3600	1000.0	115		1374.9		82		
	880	1826	507.2	130	990	873.6	1250	74	6.7	3145
		2715	754.2	118		1002.8		87		
		3200	888.9	105		1143.8		80		
	825	1731	480.8	115	990	752.9	1000	72	6.6	3140
		2545	706.9	104		838.1		86		
		3000	833.3	87		911.3		78		
	770	1598	443.8	99	990	615.4	800	70	6.5	3130
		2375	659.7	91		700.7		84		
		2800	777.8	75		752.5		76		
KQSN500-N6W	940	1611	447.5	147	990	859.9	1250	75	6.7	3145
		2500	694.4	130		1017.3		87		
		3100	861.1	117		1190.1		83		
	880	1521	422.5	129	990	722.1	1000	74	6.6	3140
		2340	650.0	115		852.1		86		
		2880	800.0	103		985.2		82		
	825	1427	396.4	114	990	615.3	900	72	6.5	3130
		2195	609.7	101		710.3		85		
		2650	736.1	90		822.2		79		
	770	1335	370.8	54	990	278.8	710	70	6.4	3120
		2050	569.4	87		585.2		83		
		2450	680.6	77		676.0		76		



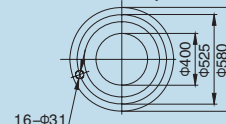
Foundation Dimensions without Base



Suction Flange DN1
PN1.0Mpa



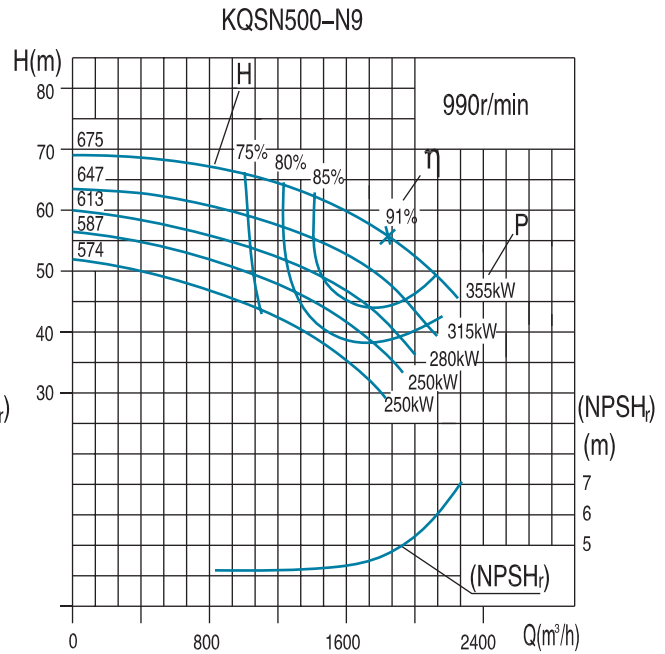
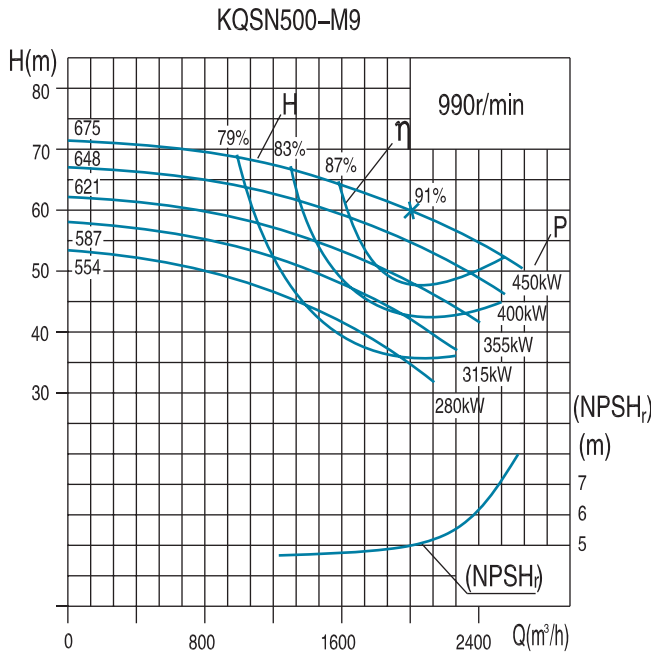
Discharge Flange DN2
PN1.6Mpa



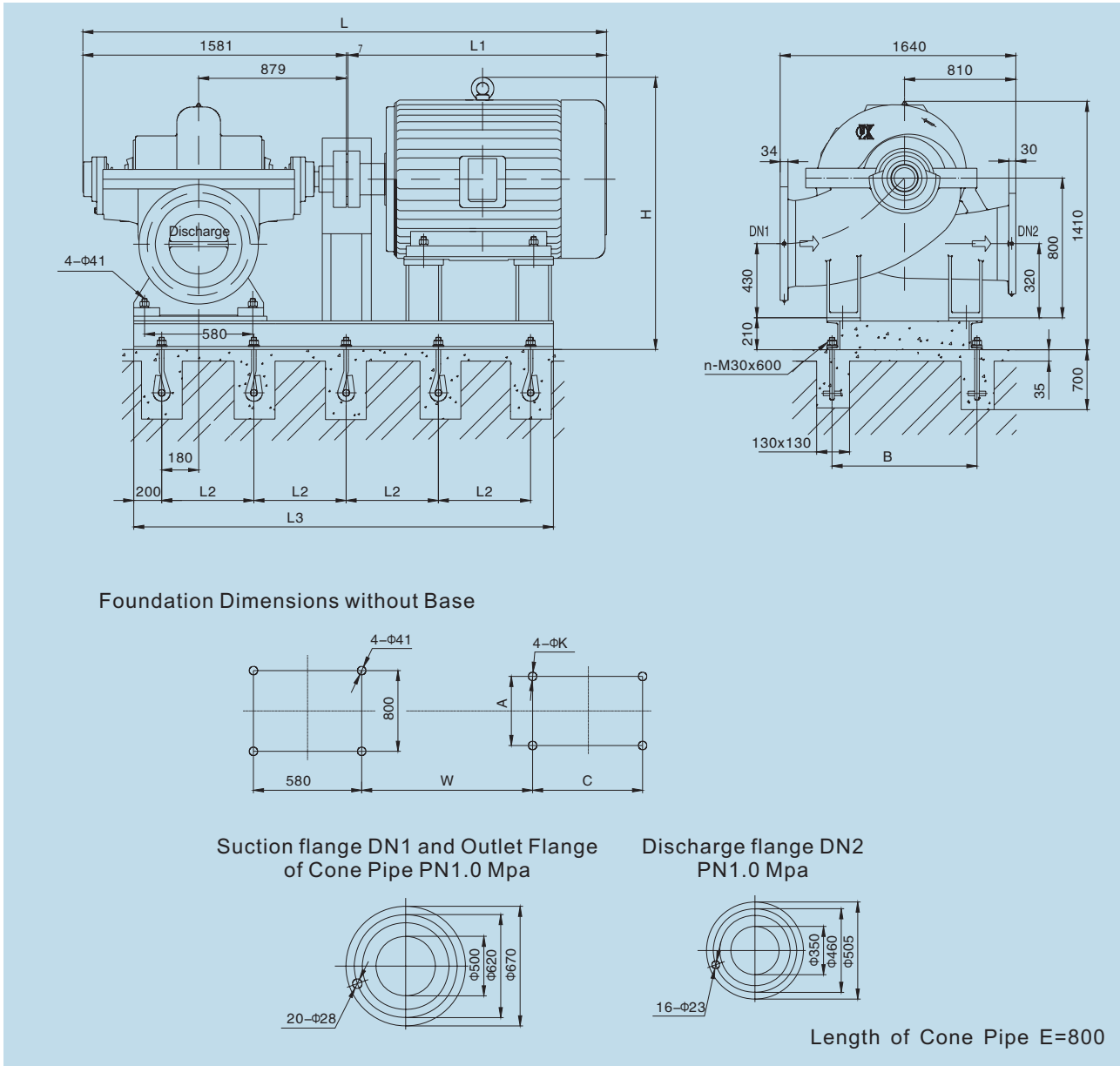
Model	Motor				Dimension (mm)											Weight (kg)	
	Model	Voltage	Class	Power (kW)	L	L1	L0	A0	B0	W	A	B	h	H	HD	d×l	Model
KQSN500-M6W/N6W	YKK500-6	6000	III/II	710/800	4128	2550	4250	1700	2225	1242	900	1250	425	500	1860	36×600	5880
	YKK560-6	6000	III/II	900~1120	4338	2760	4480	1800	2400	1317	1000	1400	365	560	2200	36×600	7850
	YKK630-6	6000	III/II	1250/1400	4878	3300	4700	2000	2630	1347	1120	1600	295	630	2250	42×800	11150
	YKK560-6	10000	III/II	710~900	4278	2700	4480	1800	2400	1317	1000	1400	365	560	2125	36×600	8300
	YKK630-6	10000	III/II	1000~1400	4878	3300	4700	2000	2630	1347	1120	1600	295	630	2250	42×800	11500

Note: Protection Class I, II, III respectively represent IP23, IP44, IP 54

KQSN500- M(N)9 Technical Data



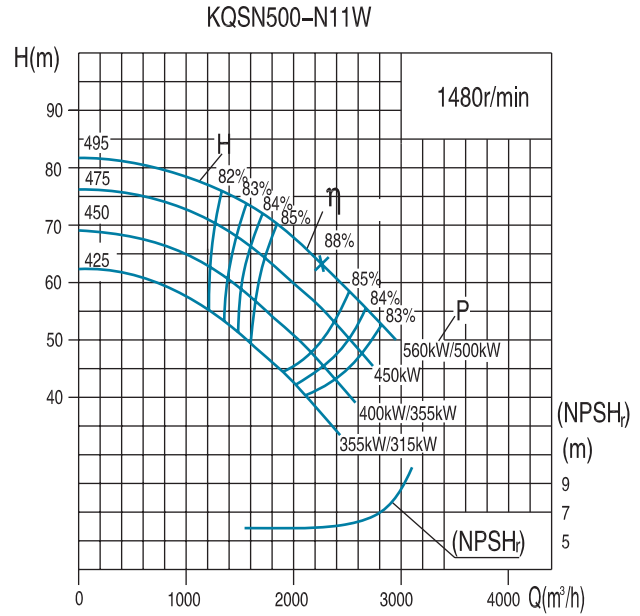
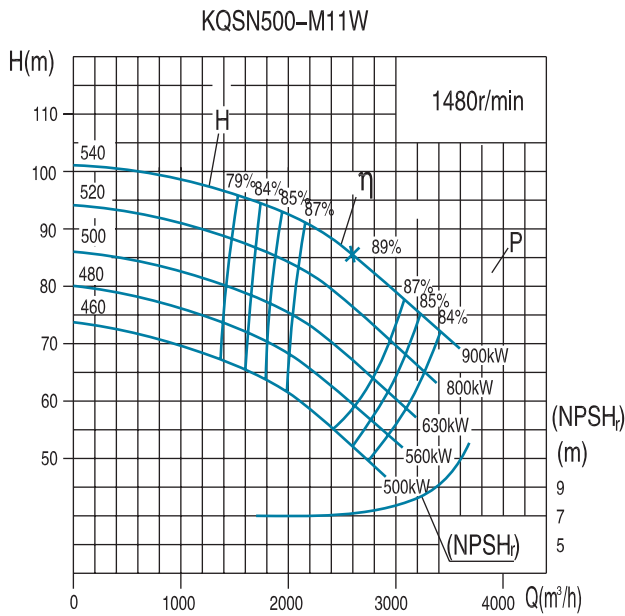
Model	Standard (mm)	Capacity		Head (m)	Speed (r/min)	Power (kW)		Efficiency %	(NPSH) _r (m)	Weight (kg)
		(m ³ /h)	(l/s)			Shaft Power	Moter Power			
KQSN500-M9	675	1212	336.7	68	990	270.4	450	83	5.0	2448
		2020	561.1	60		360.4		91		
		2424	673.3	55		412.6		88		
	648	1164	323.2	63	990	246.4	400	81	4.8	2446
		1939	538.7	55		326.0		89		
		2327	646.4	49		361.1		86		
	621	1115	309.7	58	990	222.9	355	79	4.7	2444
		1858	516.2	50		293.5		87		
		2230	619.5	44		318.1		84		
	587	1054	292.9	53	990	197.7	315	77	4.5	2442
1757		488.2	45	254.0		85				
2109		585.8	39	273.1		82				
554	994	276.1	49	990	176.8	280	75	4.4	2440	
	1656	460.1	40		217.8		83			
	1988	552.1	34		230.1		80			
KQSN500-N9	675	1092	303.3	66	990	262.0	355	75	4.5	2446
		1820	505.6	56		305.0		91		
		2184	606.7	51		348.0		87		
	647	1048	291.2	60	990	235.6	315	73	4.3	2444
		1747	485.3	52		278.0		89		
		2097	582.4	46		308.6		85		
	613	994	276.0	55	990	208.6	280	71	4.3	2442
		1656	460.1	47		243.7		87		
		1987	552.1	41		267.0		83		
	587	950	263.9	52	990	195.8	250	69	4.2	2440
1583		439.8	42	215.0		85				
1900		527.8	38	242.4		81				
574	874	242.8	47	990	167.7	250	67	4.0	2438	
	1457	404.7	36		171.5		83			
	1748	485.6	33		198.6		79			



Model	Motor				Dimension (mm)										Weight (kg)		The number of anchor bolts n
	Model	Voltage	Class	Power (kW)	L	L1	L2	L3	B	H	W	A	C	K	Motor	Baseplate	
KQSN500-M9/N9	Y355L1-6	380	I	280	3288	1690	700	2560	960	1775	1060	610	630	28	1710	758	8
	Y355M-6	380	I	250/220	3218	1620	700	2490	960	1775	1060	610	560	28	1610	757	8
	Y450-6	6000	I /II	450	3708	2120	700	3270	960	1495	1201	800	1120	35	3100	795	10
	Y400-6	6000	I /II	400~280	3528	1940	700	3120	960	1445	1141	710	1000	35	2590	782	10
	Y355-6	6000	I /II	250/220	3408	1820	830	2950	960	1435	1121	630	900	28	2290	776	8
	Y450-6	10000	I /II	450	3638	2050	700	3230	960	1510	1161	800	1120	35	3377	790	10
	Y450-6	10000	I /II	400~200	3638	2050	700	3230	960	1510	1161	800	1120	35	3295	790	10
	Y400L-6	380	III/II	400	3508	1920	760	2788	960	1700	1086	686	710	35	3400	780	8
	Y400M-6	380	III/II	355~280	3508	1920	760	2788	960	1700	1086	686	630	35	3100	780	8
Y355L-6	380	III/II	250/220	3158	1570	700	2520	960	1665	1020	610	630	28	1820	762	8	

Note: Protection Class I , II ,III respectively represent IP23, IP44, IP 54

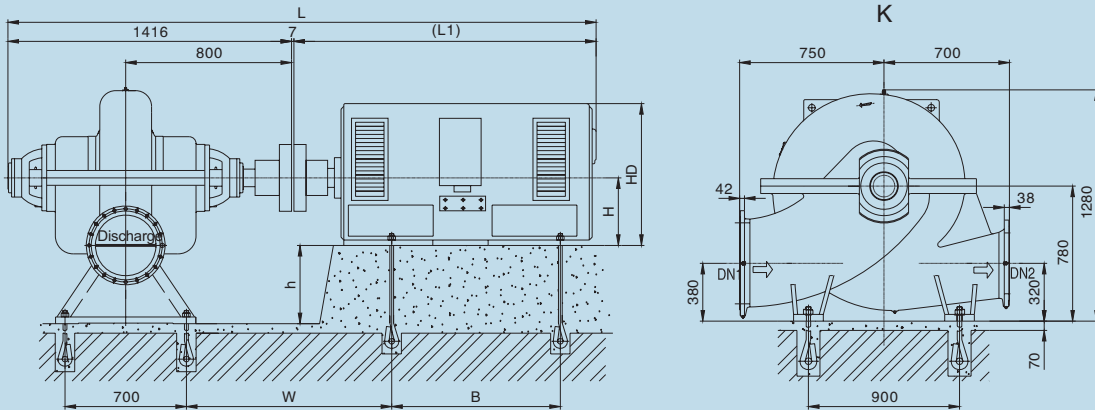
KQSN500- M(N)11W Technical Data



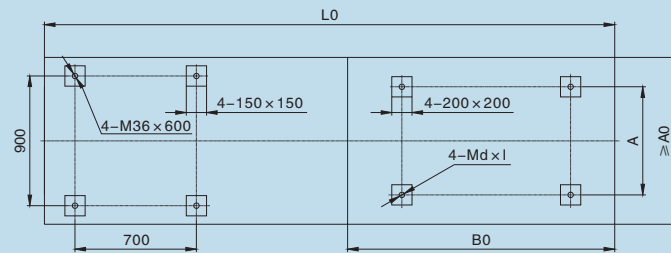
Model	Standard (mm)	Capacity		Head (m)	Speed (r/min)	Power (kW)		Efficiency %	(NPSH) _r (m)	Weight (kg)
		(m ³ /h)	(l/s)			Shaft Power	Motor Power			
KQSN500-M11W	540	2120	588.9	93	1480	613.8	900	87	7.1	2230
		2650	736.1	86		697.4		89		
		3180	883.3	76		774.3		85		
	520	2016	560.0	86	1480	549.0	800	86	6.9	2228
		2520	700.0	79		616.1		88		
		3024	840.0	68		651.2		86		
	500	1904	528.9	79	1480	476.3	630	86	6.8	2226
		2380	661.1	71		528.9		87		
		2856	793.3	62		560.7		86		
	480	1816	504.4	72	1480	418.9	560	85	6.7	2224
		2270	630.6	65		467.2		86		
		2724	756.7	56		494.6		84		
460	1772	492.2	64	1480	367.7	500	84	6.6	2222	
	2215	615.3	58		411.6		85			
	2658	738.3	50		441.4		82			
KQSN500-N11W	495	1760	488.9	72	1480	401.3	*560/500	86	6.1	2228
		2200	611.1	63		428.9		88		
		2640	733.3	53		448.3		85		
	475	1616	448.9	65	1480	336.5	450	85	5.9	2226
		2020	561.1	58		366.7		87		
		2424	673.3	49		380.5		85		
	450	1496	415.6	58	1480	281.3	*400/355	84	5.8	2224
		1870	519.4	51		302.0		86		
		2244	623.3	44		324.0		83		
	425	1416	393.3	50	1480	235.1	*355/315	82	5.7	2222
		1770	491.7	47		266.5		85		
		2124	590.0	37		264.2		81		

Note: For the import of at least 2-3 m under normal pressure conditions.

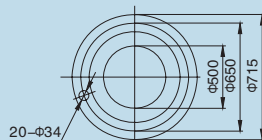
* means that normally a motor with greater power is selected, and if the pump doesn't run at low head a motor with a lower power can be selected



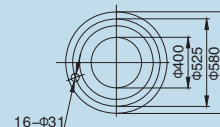
Foundation Dimensions without Base



Suction Flange DN1
PN1.0Mpa



Discharge Flange DN2
PN1.6Mpa

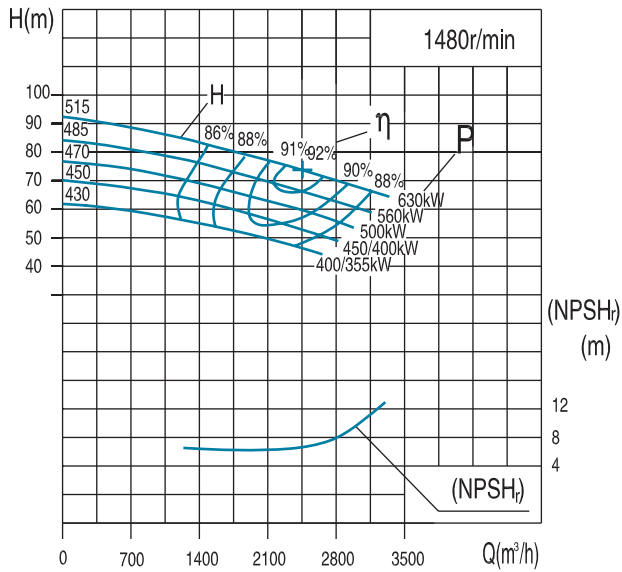


Model	Motor				Dimension (mm)												Weight (kg)	
	Model	Voltage	Class	Power (kW)	L	L1	L0	A0	B0	W	A	B	h	H	HD	d×l	Model	
KQSN500-M11W/N11W	YKK500-4, IMB3	6000	II / III	800~900	4163	2740	4032	1800	2150	1182	900	1250	280	500	1860	36×600	5660	
	YKK450-4, IMB3		II / III	500~710	3973	2550	3742	1700	2020	1022	800	1120	330	450	1660	36×600	4890	
	YKK400-4, IMB3	10000	II / III	355~450	3673	2250	3602	1610	1900	1002	710	1000	380	400	1460	30×600	3060	
	YKK560-4, IMB3		II / III	900	3823	2400	4207	1900	2300	1207	1000	1400	220	560	2330	36×600	7800	
	YKK500-4, IMB3		II / III	500~800	3623	2200	3992	1800	2150	1142	900	1250	280	500	2080	36×600	6060	
YKK450-4, IMB3	II / III	355~450	3473	2050	3742	1700	2020	1022	800	1120	330	450	1930	30×600	4490			

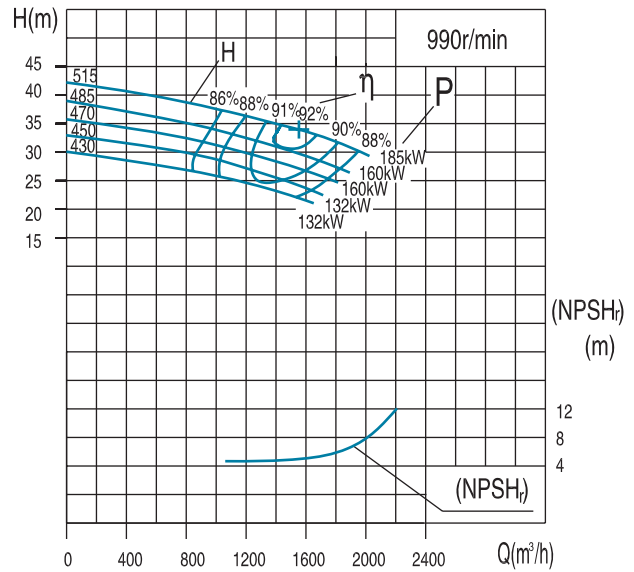
Note: Protection Class I, II, III respectively represent IP23, IP44, IP 54

KQSN500- M12S(J) Technical Data

KQSN500-M12S



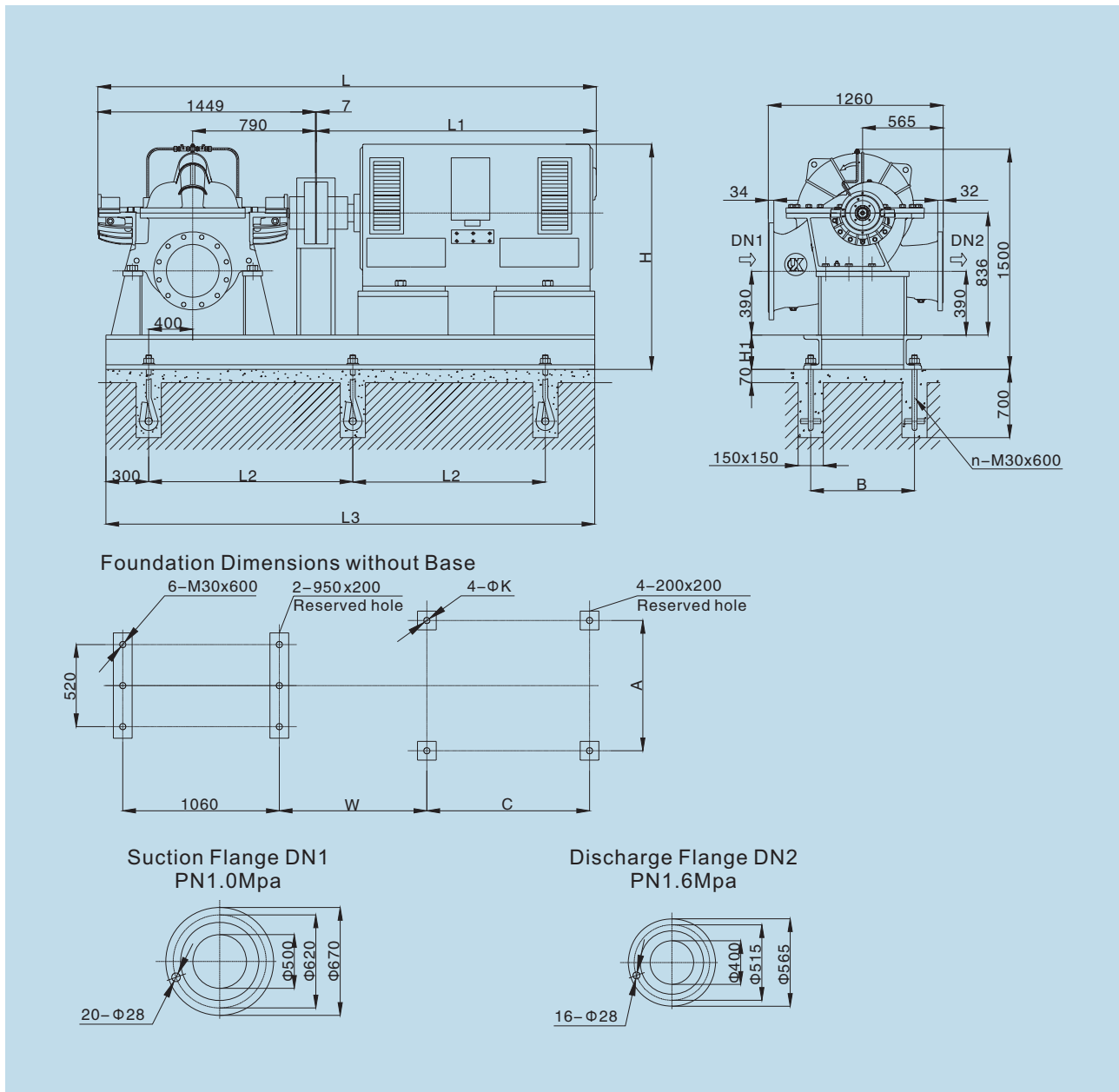
KQSN500-M12SJ



Model	Standard (mm)	Capacity		Head (m)	Speed (r/min)	Power (kW)		Efficiency %	(NPSH) _r (m)	Weight (kg)
		(m³/h)	(l/s)			Shaft Power	Motor Power			
KQSN500-M12S	515	1470	408.3	80	1480	370.7	630	86.4	7.0	1744
		2450	680.6	74		536.7		92.0		
		2940	816.7	69		616.6		89.6		
	485	1384	384.5	78	1480	341.1	560	86.2	6.9	1739
		2307	640.8	68		466.9		91.5		
		2768	769.0	63		533.7		89.0		
	470	1341	372.5	69	1480	293.0	500	86.0	6.8	1434
		2235	620.8	62		416.5		90.6		
		2682	745.0	57		467.8		89.0		
	450	1284	356.7	64	1480	260.2	*450/400	86.0	6.7	1729
2140		594.4	55	355.4		90.2				
2568		713.3	51	403.9		88.3				
430	1227	340.8	55	1480	213.7	*400/355	86.0	6.6	1724	
	2045	568.1	49		306.6		89.0			
	2454	681.7	45		343.7		87.5			
KQSN500-M12SJ	515	936	260.0	39	990	119.8	185	83.0	4.8	1744
		1560	433.3	34		157.0		92.0		
		1872	520.0	30		173.8		88.0		
	485	882	245.0	36	990	104.8	160	82.5	4.7	1739
		1470	408.3	31		135.2		91.8		
		1764	490.0	26		141.9		88.0		
	470	854	237.2	33	990	93.6	160	82.0	4.6	1734
		1423	395.3	28		119.9		90.5		
		1708	474.3	25		132.9		87.5		
	450	818	227.2	31	990	84.2	132	82.0	4.5	1729
		1363	378.6	26		107.1		90.1		
		1636	454.3	23		117.5		87.2		
	430	781	217.0	27	990	70.5	132	81.5	4.4	1724
		1302	361.7	24		95.1		89.5		
		1562	434.0	22		107.6		87.0		

Note: For the import of at least 2-3 m under normal pressure conditions.

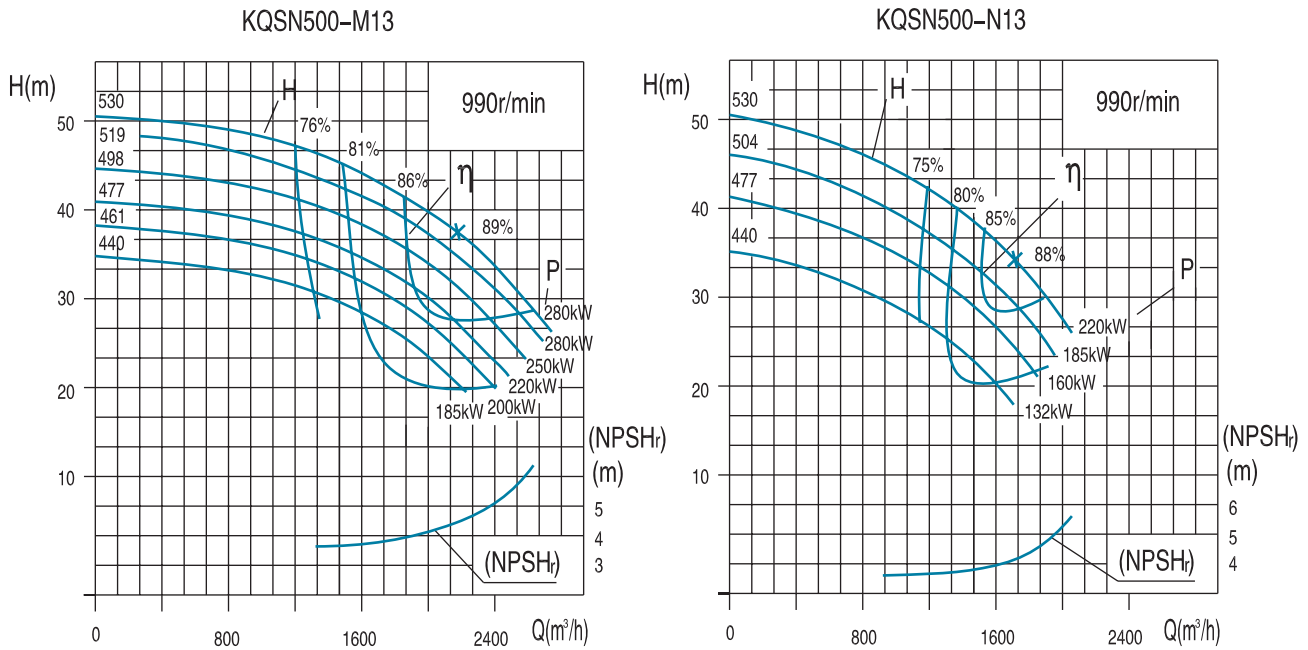
* means that normally a motor with greater power is selected, and if the pump doesn't run at low head a motor with a lower power can be selected



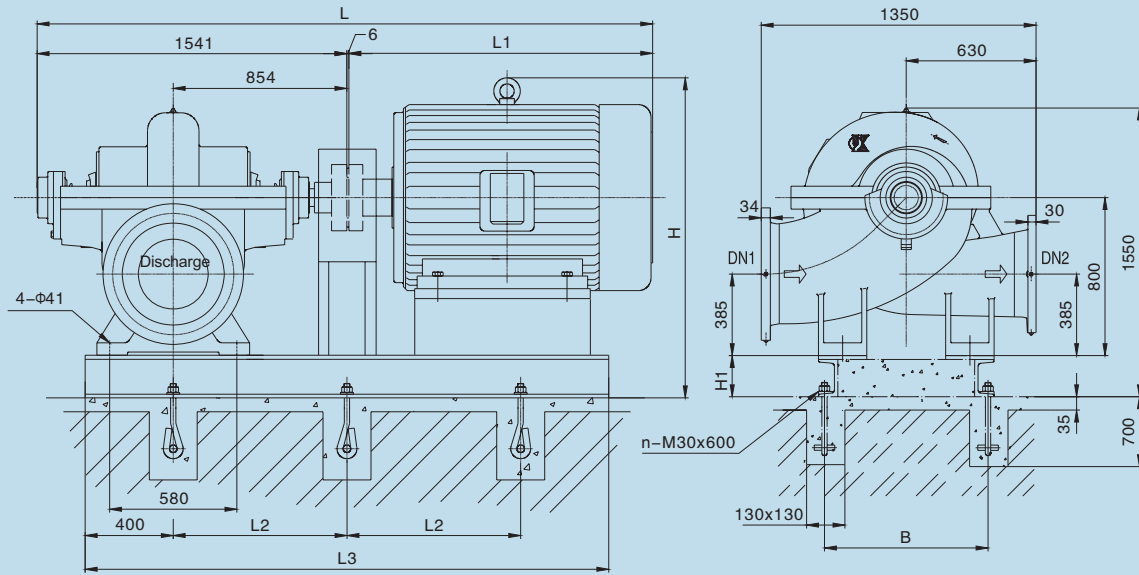
Model	Motor				Dimension (mm)											Weight (kg)		The number of anchor bolts n
	Model	Voltage	Class	Power (kW)	L	L1	L2	L3	B	H	H1	W	A	C	K	Motor	Baseplate	
KQSN500-M12S	YKK450-4	10K	III/II	355-630	3716	2260	730	3500	1050	2156	210	832	800	1120	35	1070	925	10
	YKK450-4	6K	III/II	500-630	3526	2070	730	3500	1050	2496	210	832	800	1120	35	3880	925	10
	YKK400-4	6K	III/II	355-450	3506	2050	670	3350	900	2011	210	812	710	1000	35	2770	910	10
KQSN500-M12SJ	YE3-355M-6	380	III/II	160/185	2996	1540	700	2550	750	1691	200	691	610	560	28	1620	580	8
	YE3-315L-6	380	III/II	132	2806	1350	650	2450	700	1566	200	653	508	508	28	1120	550	8

Note: Protection Class I, II, III respectively represent IP23, IP44, IP 54

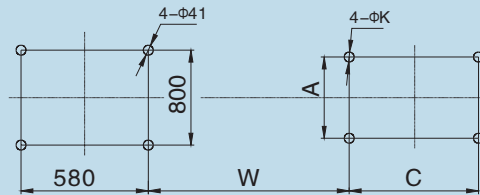
KQSN500- M(N)13 Technical Data



Model	Standard (mm)	Capacity		Head (m)	Speed (r/min)	Power (kW)		Efficiency %	(NPSH) _r (m)	Weight (kg)
		(m ³ /h)	(l/s)			Shaft Power	Motor Power			
KQSN500-M13	530	1320	366.7	46	990	209.3	280	79	4.2	2220
		2200	611.1	36		242.3		89		
		2640	733.3	29		245.3		85		
	519	1292	359.0	44	990	197.0	280	78	4.1	2218
		2154	598.3	35		233.3		88		
	498	1240	344.5	40	990	176.2	250	77	4.0	2216
2067		574.2	32	207.0		87				
477	1188	330.0	37	990	156.8	220	76	3.9	2214	
	1980	550.0	30		188.1		86			
461	1148	319.0	34	990	143.5	200	75	3.8	2212	
	1914	531.7	28		171.7		85			
440	1096	304.3	31	990	126.3	185	74	3.7	2210	
	1826	507.2	25		148.0		84			
		2191	608.7	19			80			
KQSN500-N13	530	1028	285.7	45	990	175.4	220	71	4.1	2218
		1714	476.1	35		182.7		89		
		2057	571.3	28		189.2		84		
	504	977	274.2	40	990	154.7	185	69	4.0	2216
		1628	452.2	31		160.3		87		
	477	926	257.1	36	990	135.5	160	67	3.9	2214
1543		428.5	28	139.5		85				
440	854	237.1	31	990	109.5	132	65	3.8	2212	
	1423	395.2	24		112.0		83			
		1707	474.2	20			78			

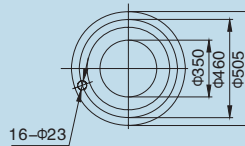
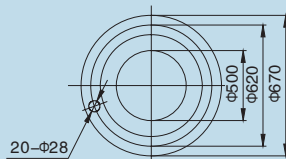


Foundation Dimensions without Base



Suction flange DN1 and Outlet Flange of Cone Pipe PN1.0 Mpa

Discharge flange DN2 PN1.0 Mpa



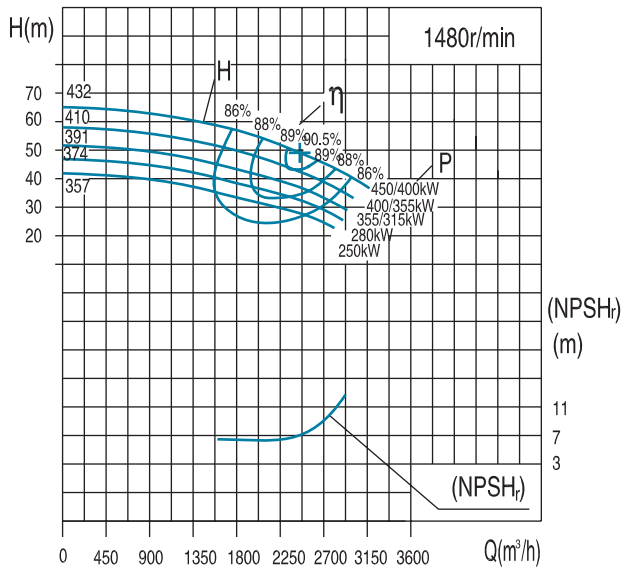
Length of Cone Pipe E=800

Model	Motor				Dimension (mm)											Weight (kg)		The number of anchor bolts
	Model	Voltage	Class	Power (kW)	L	L1	L2	L3	B	H	H1	W	A	C	K	Motor	Baseplate	
KQSN500-M13/N13	Y355L1-6	380	I	280	3237	1690	800	2400	960	1775	210	1034	610	630	28	1710	598	6
	Y355M-6	380	I	250~185	3267	1620	800	2400	960	1775	210	1034	610	560	28	1610	598	6
	Y315M-6	380	I	160/132	2817	1270	730	2260	960	1625	190	956	508	457	28	1050	595	6
	Y400-6	6000	I / II	280	3527	1980	800	3100	960	1330	210	1115	710	1000	35	2310	635	8
	Y355-6	6000	I / II	250~200	3437	1890	750	2960	960	1170	210	1095	630	900	28	1930	625	8
	Y450-6	10000	I / II	280~200	3597	2050	850	3230	960	950	210	1135	800	1120	35	2950	640	8
	Y400M-6	380	III / II	280	3437	1890	1000	2800	960	1650	210	1060	686	630	35	2100	605	6
	Y355L-6	380	III / II	250/220	3117	1570	800	2400	960	1665	210	994	610	630	28	1820	598	6
	Y355M-6	380	III / II	200/160	3117	1570	800	2400	960	1665	210	994	610	560	28	1670	598	6
	Y315L2-6	380	III / II	132	2887	1340	730	2260	960	1540	190	956	508	508	28	1175	595	6

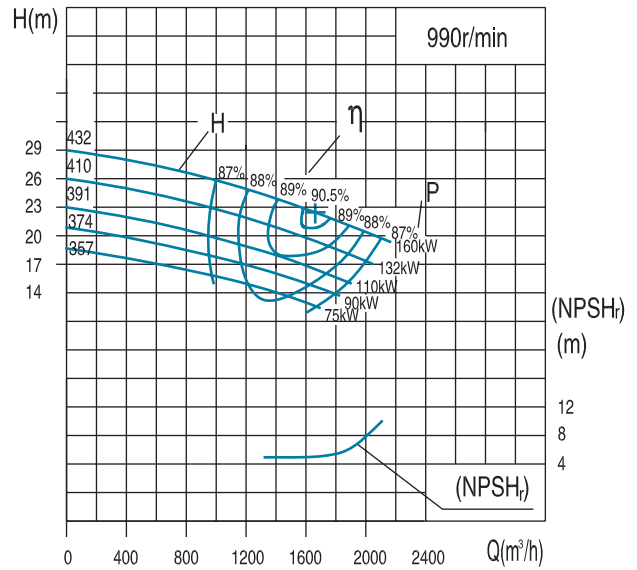
Note: Protection Class I, II, III respectively represent IP23, IP44, IP 54

KQSN500- M17S(J) Technical Data

KQSN500-M17S

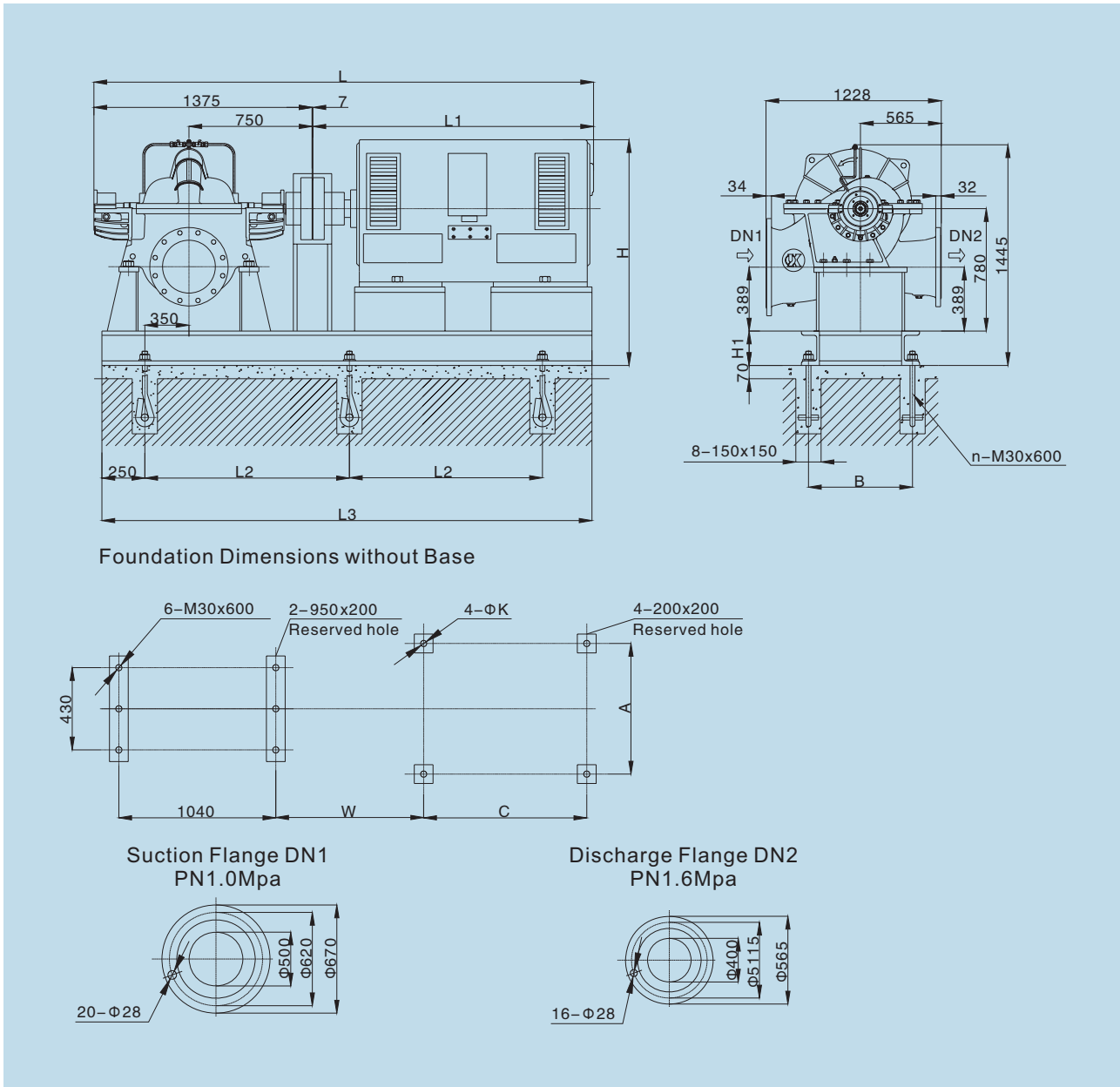


KQSN500-M17SJ



Model	Standard (mm)	Capacity		Head (m)	Speed (r/min)	Power (kW)		Efficiency %	(NPSH) _r (m)	Weight (kg)
		(m³/h)	(l/s)			Shaft Power	Motor Power			
KQSN500-M17S	432	1500	416.7	58	1480	275.5	*450/400	86.0	7.0	1280
		2500	694.4	49		368.6		90.5		
		3000	833.3	42		389.9		88.0		
	410	1440	400.0	52	1480	237.1	*400/355	86.0	6.9	1275
		2400	666.7	44		321.3		89.5		
	391	1358	377.3	45	1480	195.8	*355/315	85.0	6.8	1270
		2264	628.9	40		278.7		88.5		
	374	1299	360.8	42	1480	174.8	280	85.0	6.7	1265
		2165	601.4	37		249.3		87.5		
	354	1240	344.5	38	1480	152.8	250	84.0	6.6	1260
2067		574.2	34	216.8		87.0				
		2480	689.0	29			86.0			
KQSN500-M17SJ	432	1005	279.2	26	990	81.8	132	87.0	4.8	1280
		1675	465.3	22		110.9		90.5		
		2010	558.3	21		130.6		88.0		
	410	965	268.0	23	990	69.5	110	87.0	4.7	1275
		1608	446.7	20		97.9		89.5		
	391	910	252.8	21	990	60.5	110	86.0	4.6	1270
		1517	421.4	18		84.0		88.5		
	374	871	241.8	19	990	52.4	90	86.0	4.5	1265
		1451	403.1	16		71.8		88.0		
	354	831	230.8	21	990	55.9	75	85.0	4.4	1260
1385		384.7	14	60.7		87.0				
		1662	461.7	15			86.0			

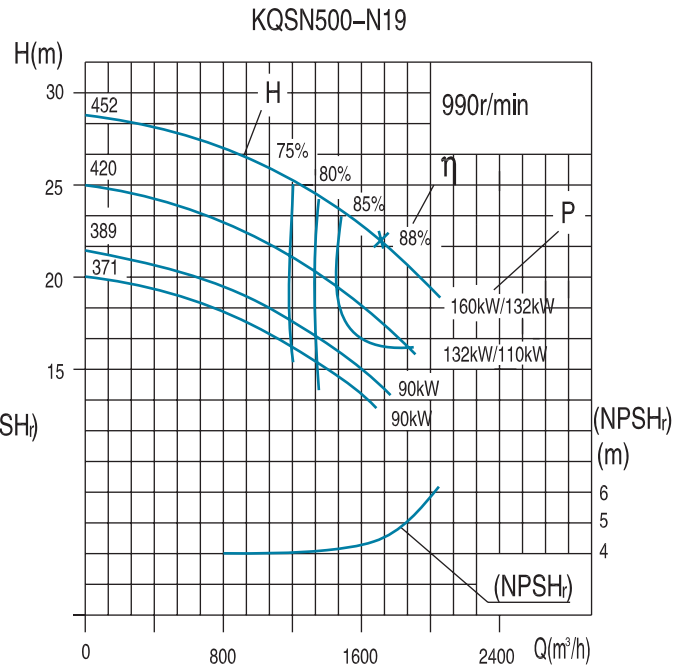
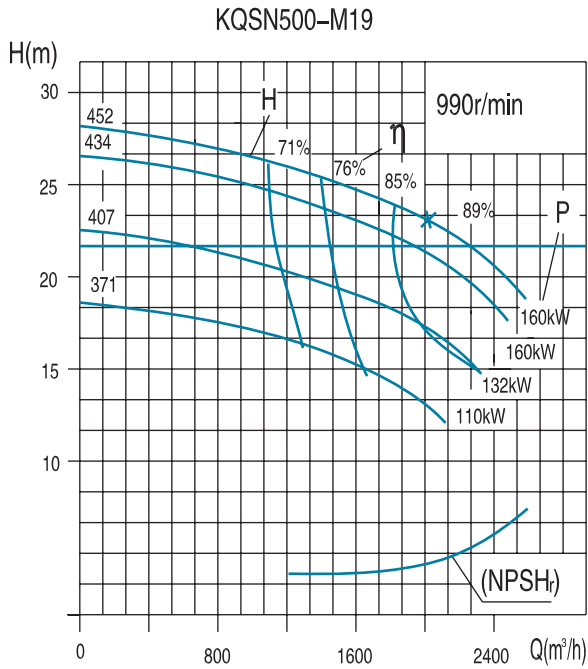
注：带*者，一般情况下按大档电机配套，个别用户不在低扬程工况运行，可按小档电机配套。



Model	Motor				Dimension (mm)											Weight (kg)		The number of anchor bolts n
	Model	Voltage	Class	Power (kW)	L	L1	L2	L3	B	H	H1	W	A	C	K	Motor	Baseplate	
KQSN500-M17S	YKK400-4	6K	III/II	280-450	3432	2050	900	3300	870	1955	210	782	710	1000	35	2770	845	8
	YKK450-4	10K	III/II	315-450	3642	2260	900	3320	1000	2100	210	802	800	1120	35	3520	950	8
	YE3-355L-4	380	III/II	280/315	2912	1530	650	2500	750	1645	210	661	610	630	28	1845	550	8
	YE3-355M-4	380	III/II	250	2912	1530	650	2500	750	1645	210	661	610	560	28	1675	550	8
KQSN500-M17SJ	YE3-315L-6	380	III/II	110/132	2732	1350	620	2355	650	1520	210	623	508	508	28	1120	450	8
	YE3-315M-6	380	III/II	90	2732	1350	620	2355	650	1520	210	623	508	457	28	910	450	8
	YE3-315S-6	380	III/II	75	2622	1240	590	2280	650	1520	210	623	508	406	28	845	400	8

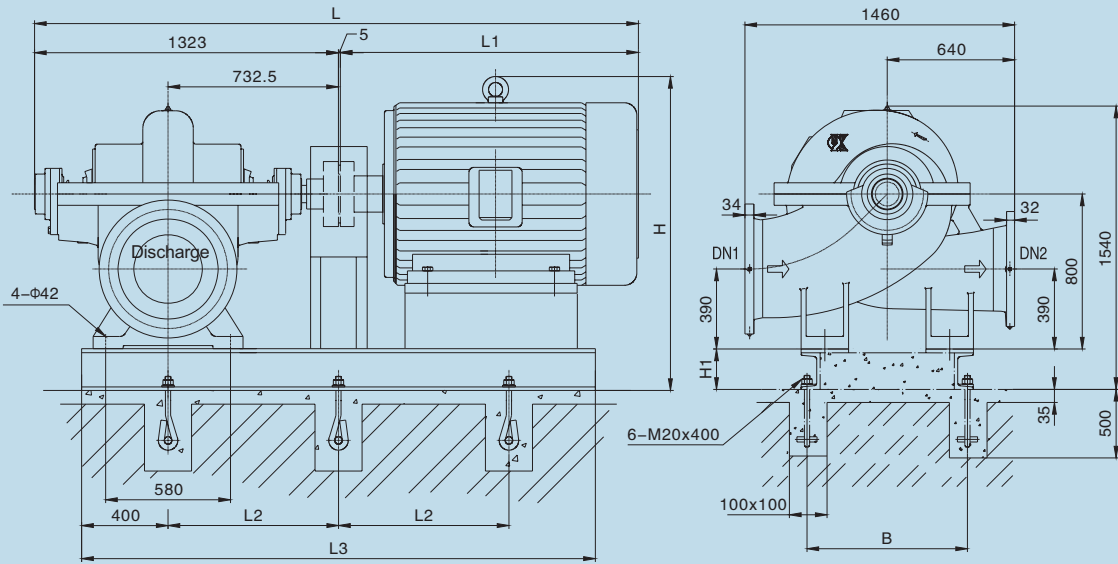
Note: Protection Class I, II, III respectively represent IP23, IP44, IP 54

KQSN500- M(N)19 Technical Data

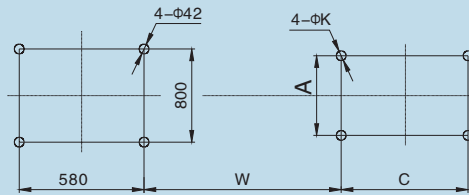


Model	Standard (mm)	Capacity		Head (m)	Speed (r/min)	Power (kW)		Efficiency %	(NPSH) _r (m)	Weight (kg)		
		(m³/h)	(l/s)			Shaft Power	Motor Power					
KQSN500-M19	452	1212	336.7	26	990	114.9	160	74	4.6	1728		
		2020	561.1	23		142.2		89				
		2424	673.3	19		139.5		88				
	434	1164	323.2	24		104.5	160	72			4.5	1726
		1939	538.7	20		124.3		87				
	2327	646.4	17	126.2		86						
	407	1091	303.0	21		88.6	132	70			4.4	1724
		1818	505.0	18		104.9		85				
2182	606.0	15	106.5	84								
371	994	276.1	17	69.0	110	68	4.3	1722				
	1656	460.1	15	81.2		83						
1988	552.1	13	82.5	82								
KQSN500-N19	452	1028	285.7	25	104.9	*160/132	67	4.5	1726			
		1714	476.1	22	116.8		89					
		2057	571.3	18	117.1		87					
	420	956	265.7	22	87.0	*132/110	65	4.3	1724			
		1594	442.8	19	96.1		87					
	1913	531.3	16	96.4	85							
	389	884	245.7	18	71.0	90	63	4.0	1722			
		1474	409.5	16	77.8		85					
	1769	491.4	13	78.1	83							
	371	843	234.3	17	63.5	90	61	3.9	1720			
		1406	390.4	15	69.0		83					
	1687	468.5	12	69.4	81							

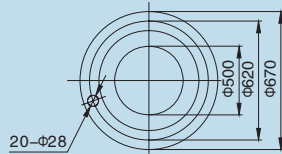
注：带*者，一般情况下按大档电机配套，个别用户不在低扬程工况运行，可按小档电机配套。



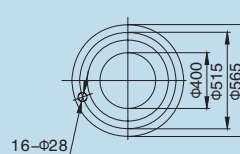
Foundation Dimensions without Base



Suction flange DN1 and Outlet Flange of Cone Pipe PN1.0 Mpa



Discharge flange DN2 PN1.0 Mpa



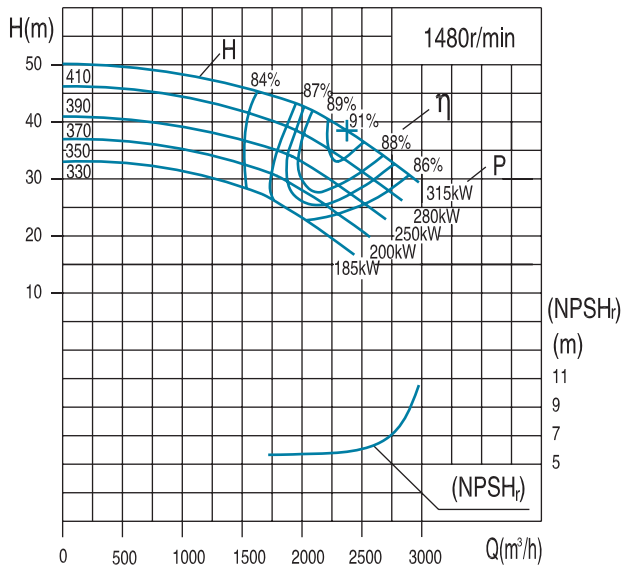
Length of Cone Pipe E=600

Model	Motor				Dimension (mm)											Weight (kg)	
	Model	Voltage	Class	Power (kW)	L	L1	L2	L3	B	H	H1	W	A	C	K	Motor	Baseplate
KQSN500-M19/N19	Y315M-6	380	I	160/132	2598	1270	700	2090	960	1625	190	833.5	508	457	28	1050	608
	Y315S-6	380	I	110	2488	1160	700	2090	960	1605	190	833.5	508	406	28	915	608
	Y355M1-6	380	III/II	160	2896	1570	800	2250	960	1665	210	871.5	610	560	28	1620	610
	Y315L2-6	380	III/II	132	2666	1340	700	2160	960	1520	190	833.5	508	508	28	1175	611
	Y315L1-6	380	III/II	110	2666	1340	700	2160	960	1520	190	833.5	508	508	28	1110	611
	Y315M-6	380	III/II	90	2666	1340	700	2090	960	1520	190	833.5	508	457	28	940	608

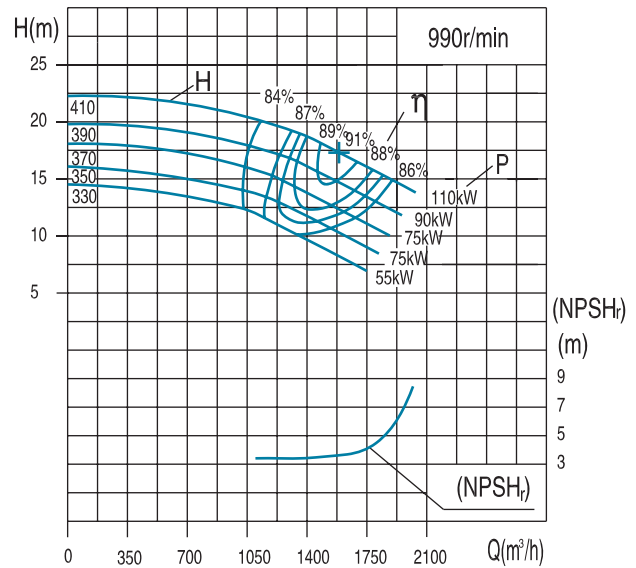
Note: Protection Class I, II, III respectively represent IP23, IP44, IP54

KQSN500- M20S(J) Technical Data

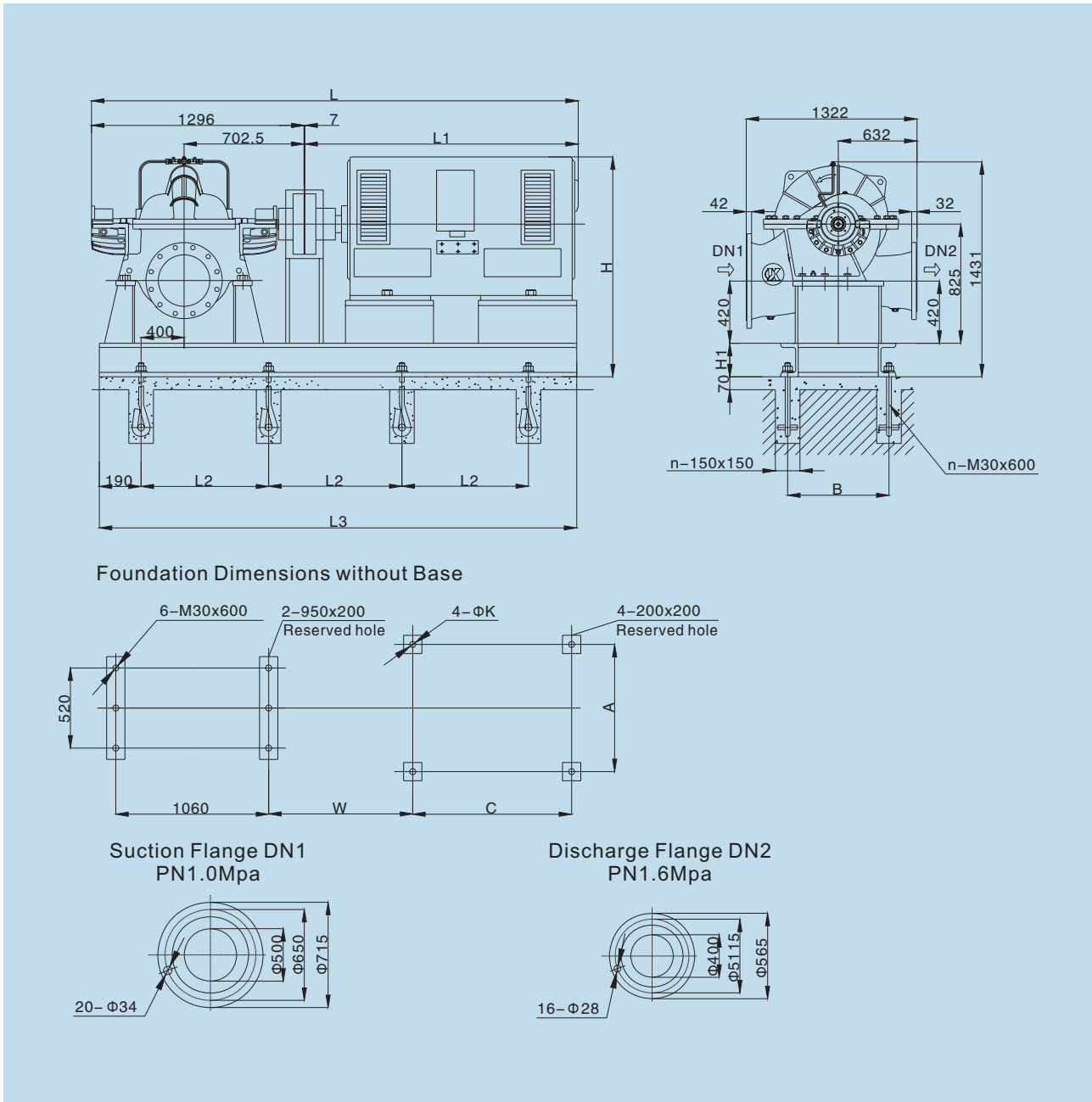
KQSN500-M20S



KQSN500-M20SJ



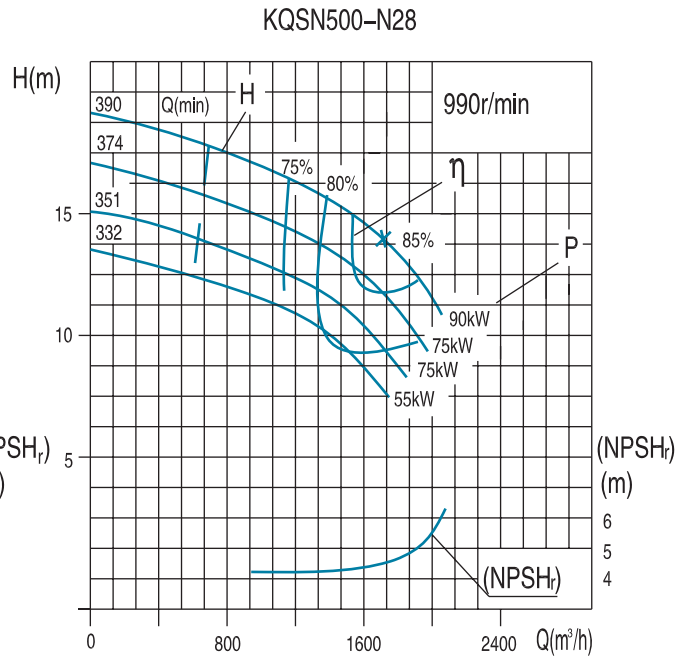
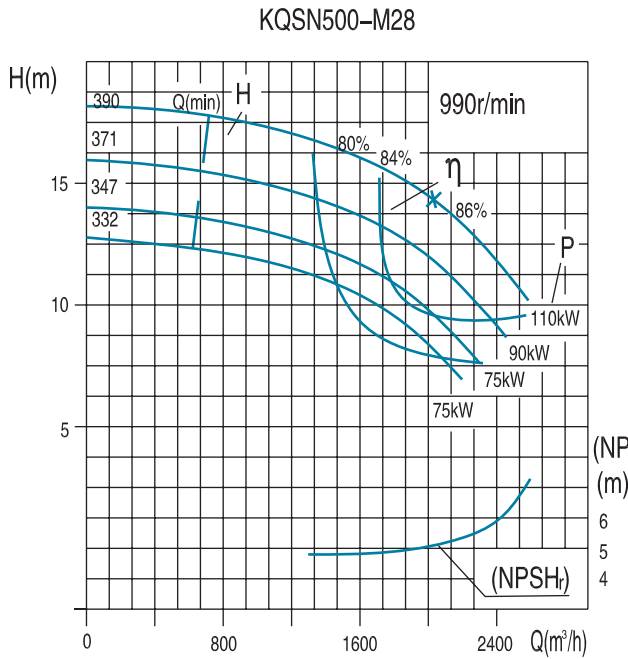
Model	Standard (mm)	Capacity		Head (m)	Speed (r/min)	Power (kW)		Efficiency %	(NPSH) _r (m)	Weight (kg)
		(m³/h)	(l/s)			Shaft Power	Motor Power			
KQSN500-M20S	410	1425	395.8	46	1480	212.5	315	84.0	6.0	1181
		2375	659.7	38		270.1		91.0		
		2850	791.7	31		276.6		87.0		
	390	1355	376.5	43	1480	191.2	280	83.0	5.9	1179
		2259	627.5	35		239.2		90.0		
		2711	753.0	28		237.6		87.0		
	370	1286	357.2	40	1480	170.8	250	82.0	5.8	1177
		2143	595.3	31		203.3		89.0		
		2572	714.3	25		203.6		86.0		
	350	1216	337.8	34	1480	139.0	200	81.0	5.7	1175
		2027	563.1	28		175.6		88.0		
		2432	675.7	22		171.4		85.0		
330	1147	318.7	31	1480	121.1	185	80.0	5.6	1173	
	1912	531.1	25		149.6		87.0			
	2294	637.3	19		141.3		84.0			
KQSN500-M20SJ	410	952	264.5	21	990	64.8	110	84.0	3.8	1181
		1587	440.8	17		80.7		91.0		
		1904	529.0	15		89.4		87.0		
	390	906	251.7	18	990	53.5	90	83.0	3.7	1179
		1510	419.4	15		68.5		90.0		
		1812	503.3	13		74.6		86.0		
	370	859	238.7	17	990	48.5	75	82.0	3.6	1177
		1432	397.8	14		61.3		89.0		
		1718	477.3	11		60.6		85.0		
	350	813	225.8	15	990	41.0	75	81.0	3.5	1175
		1355	376.4	12		50.3		88.0		
		1626	451.7	10		52.7		84.0		
330	766	212.8	13	990	33.9	55	80.0	3.4	1173	
	1277	354.7	11		44.0		87.0			
	1532	425.7	9		45.3		83.0			



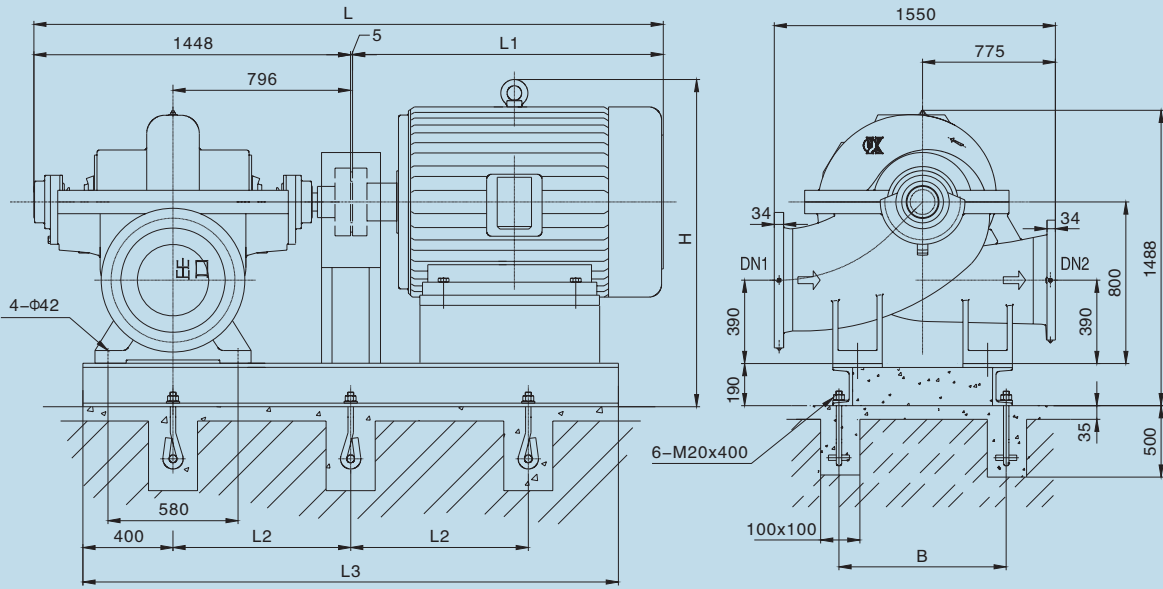
Model	Motor				Dimension (mm)											Weight (kg)		The number of anchor bolts n
	Model	Voltage	Class	Power (kW)	L	L1	L2	L3	B	H	H1	W	A	C	K	Motor	Baseplate	
KQSN500-M20S	YE3-315L-4	380	III/II	160~200	2653	1350	640	2310	700	1981	200	565.5	508	508	28	1160	520	8
	YE3-355M-4	380	III/II	220~250	2833	1530	660	2430	750	1941	200	603.5	610	560	28	1650	670	8
	YE3-355L-4	380	III/II	280/315	2833	1530	660	2430	750	1941	200	603.5	610	630	28	1780	670	8
	YKK355-4	6K	III/II	185~315	3293	1990	850	3070	800	1951	210	704.5	630	900	28	2180	700	8
	YKK400-4	10K	III/II	185~315	3393	2090	900	3165	850	1906	210	724.5	710	1000	35	2830	750	8
KQSN500-M20SJ	YE3-280M-6	380	III/II	55	2338	1035	560	2130	700	2016	200	509.5	457	419	24	538	430	8
	YE3-315S-6	380	III/II	75	2543	1240	640	2230	700	1981	200	565.5	508	406	28	814	490	8
	YE3-315M-6	380	III/II	90	2653	1350	640	2310	700	1981	200	565.5	508	457	28	877	520	8
	YE3-315L-6	380	III/II	110	2653	1350	640	2310	700	1981	200	565.5	508	508	28	988	520	8

Note: Protection Class I, II, III respectively represent IP23, IP44, IP54

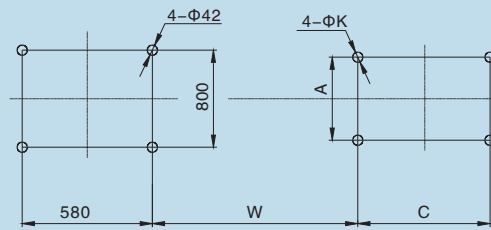
KQSN500- M(N)28 Technical Data



Model	Standard (mm)	Capacity		Head (m)	Speed (r/min)	Power (kW)		Efficiency %	(NPSH) _r (m)	Weight (kg)		
		(m ³ /h)	(l/s)			Shaft Power	Moter Power					
KQSN500-M28	390	1290	358.3	17	990	74.7	110	80	5.0	1465		
		2150	597.2	14		95.3		86				
		2580	716.7	10		81.1		84				
	371	1151	319.8	15		59.4	90	78			4.8	1464
		1919	533.1	12		73.7		84				
		2303	639.7	9		66.9		82				
	347	1079	299.6	13		50.1	75	76			4.6	1463
		1798	499.4	10		62.1		82				
332	1030	286.2	12	44.8	75	74	4.5	1462				
	1717	476.9	9	55.5		80						
	2060	572.3	7	50.4		78						
KQSN500-N28	390	1080	300.0	16	990	67.2	90	72	4.5	1464		
		1800	500.0	14		78.1		85				
		2160	600.0	10		67.2		83				
	374	1037	288.0	15		61.2	75	70			4.4	1463
		1728	480.0	12		70.8		83				
		2074	576.0	9		61.0		81				
	351	972	270.0	13		51.9	75	68			4.2	1462
		1620	450.0	11		59.8		81				
332	1944	540.0	8	51.5	75	79	4.0	1461				
	874	242.8	11	38.9		66						
	1457	404.7	9	44.6		79						
		1748	485.6	6		38.4	77					

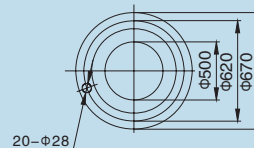
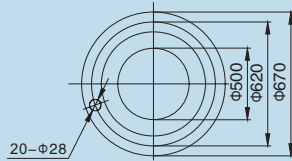


Foundation Dimensions without Base



Suction Flange DN1
PN1.0Mpa

Discharge Flange DN2
PN1.6Mpa

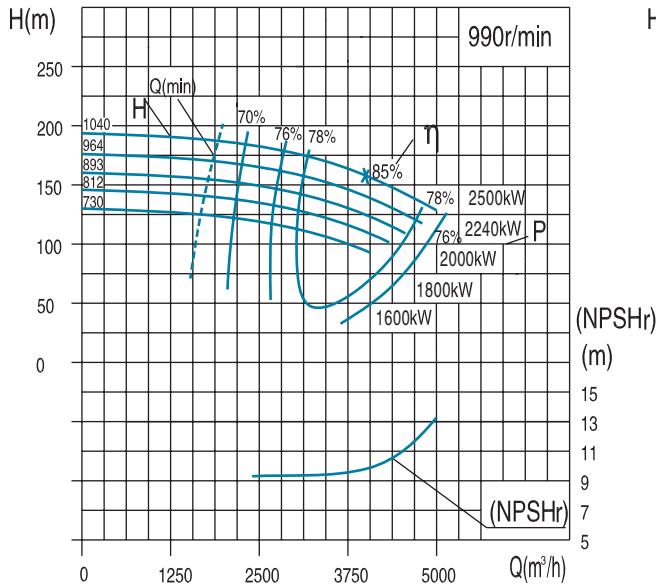


Model	Motor				Dimension (mm)										Weight (kg)	
	Model	Voltage	Class	Power (kW)	L	L1	L2	L3	B	H	W	A	C	K	Motor	Baseplate
KQSN500-M(N)28	Y315S-6	380	I	110	2488	1160	630	2060	960	1625	833.5	508	406	28	915	618
	Y315L1-6	380	III / II	110	2668	1340	665	2160	960	1540	833.5	508	508	28	1110	621
	Y315M-6	380	III / II	90	2668	1340	655	2090	960	1540	833.5	508	457	28	940	619
	Y315S-6	380	III / II	75	2598	1270	630	2060	960	1540	833.5	508	406	28	861	618
	Y280M-6	380	III / II	55	2378	1050	595	1990	960	1410	777.5	457	419	24	540	617

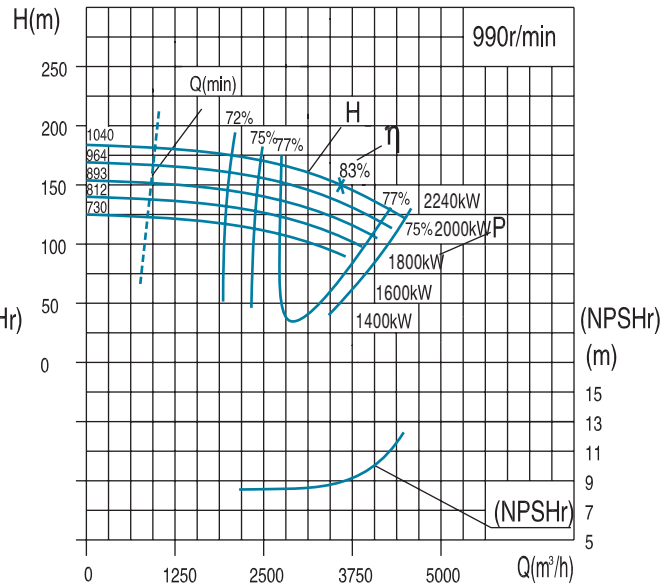
Note: Protection Class I, II, III respectively represent IP23, IP44, IP 54

KQSN600- M(N)6 Technical Data

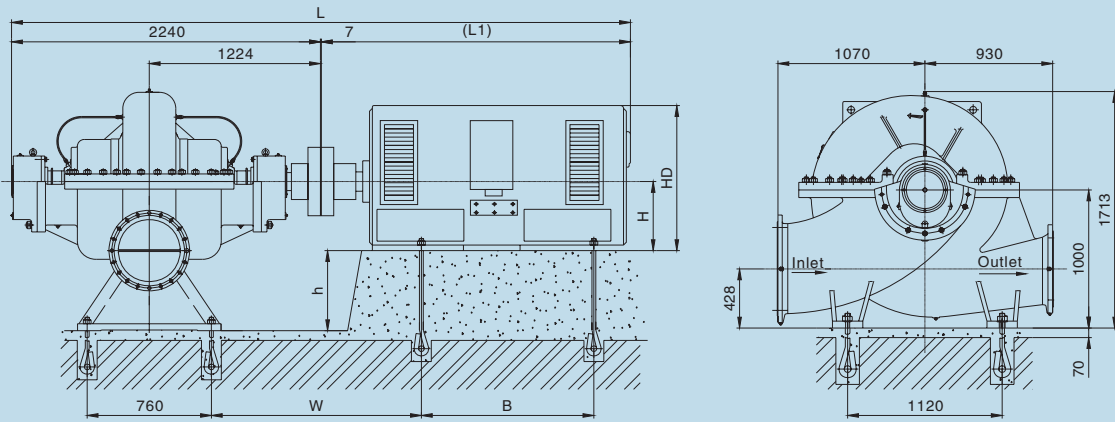
KQSN600-M6



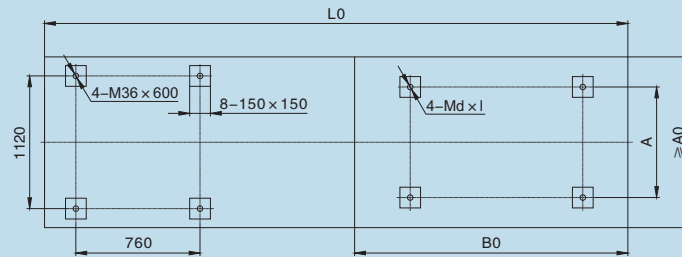
KQSN600-N6



Model	Standard (mm)	Capacity		Head (m)	Speed (r/min)	Power (kW)		Efficiency %	(NPSH)r (m)	Weight (kg)
		(m ³ /h)	(l/s)			Shaft Power	Motor Power			
KQSN600-M6	1040	2400.0	666.7	173.8	990	1484.9	2500	76.5	9.8	4658.0
		4000.0	1111.1	158.0		2024.9		85.0		
		5000.0	1388.9	128.5		2263.4		77.3		
	964	2304.0	640.0	158.2	990	1312.7	2240	75.6	8.9	4653.0
		3840.0	1066.7	143.8		1790.0		84.0		
		4800.0	1333.3	116.9	116.9	1977.3	77.3			
			2188.8	608.0	143.9	990	1148.5	2000	74.7	8.8
	893	3648.0	1013.3	130.8	1566.1		83.0			
			4560.0	1266.7	106.4	106.4	1729.9	76.4		
	812			2079.4	577.6	131.0	990	1005.0	1800	73.8
3465.6		962.7	119.1	1370.4	82.0					
	4332.0	1203.3	96.8	96.8	1513.8	75.4				
		730	1955	543	117	990	846	1600	73	8.5
3257.7	904.9		106.0	1153.5	81.5					
		4072	1131	86	1274	75				
		1040	2154.0	598.3	165.0	990	1295.7	2240	74.7	8.9
3590.0	997.2		150.0	1766.9	83.0					
4487.5	1246.5		122.0	1951.7	76.4					
KQSN600-N6	964	2067.8	574.4	151.8	990	1158.3	2000	73.8	8.8	4648.0
		3446.4	957.3	138.0		1579.5		82.0		
	4308.0	1196.7	112.2	112.2	1744.8	75.4				
		893	1964.4	545.7	138.1	990	1013.7	1800	72.9	8.6
3274.1	909.5		125.6	1382.4	81.0					
	4092.6	1136.8	102.1	102.1	1527.0	74.5				
		812	1866.2	518.4	125.7	990	887.3	1600	72.0	8.4
3110.4	864.0		114.3	1210.0	80.0					
	3888.0	1080.0	92.9	92.9	1336.6	73.6				
		730	1754	487	112	990	752	1400	71	8.3
2923.8	812.2		101.7	1025.1	79.0					
		3655	1015	83	1132	73				

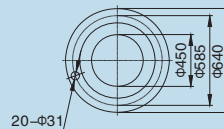
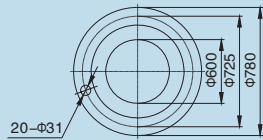


Foundation Dimensions without Base



Suction Flange DN1
PN1.0Mpa

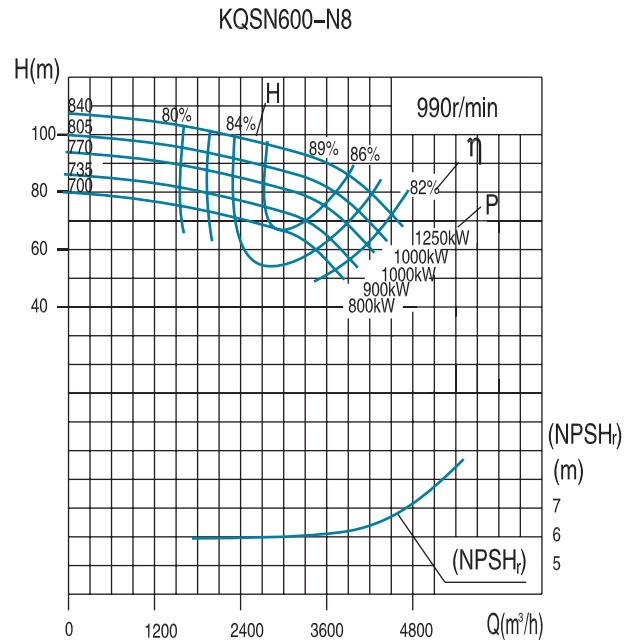
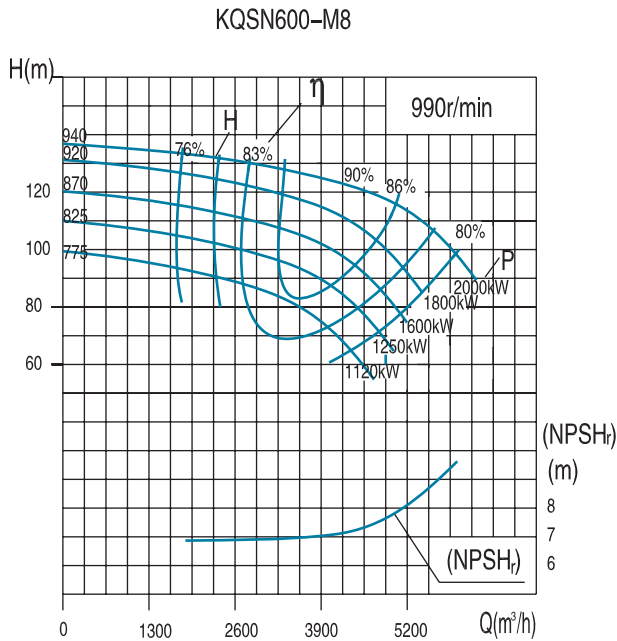
Discharge Flange DN2
PN1.6Mpa



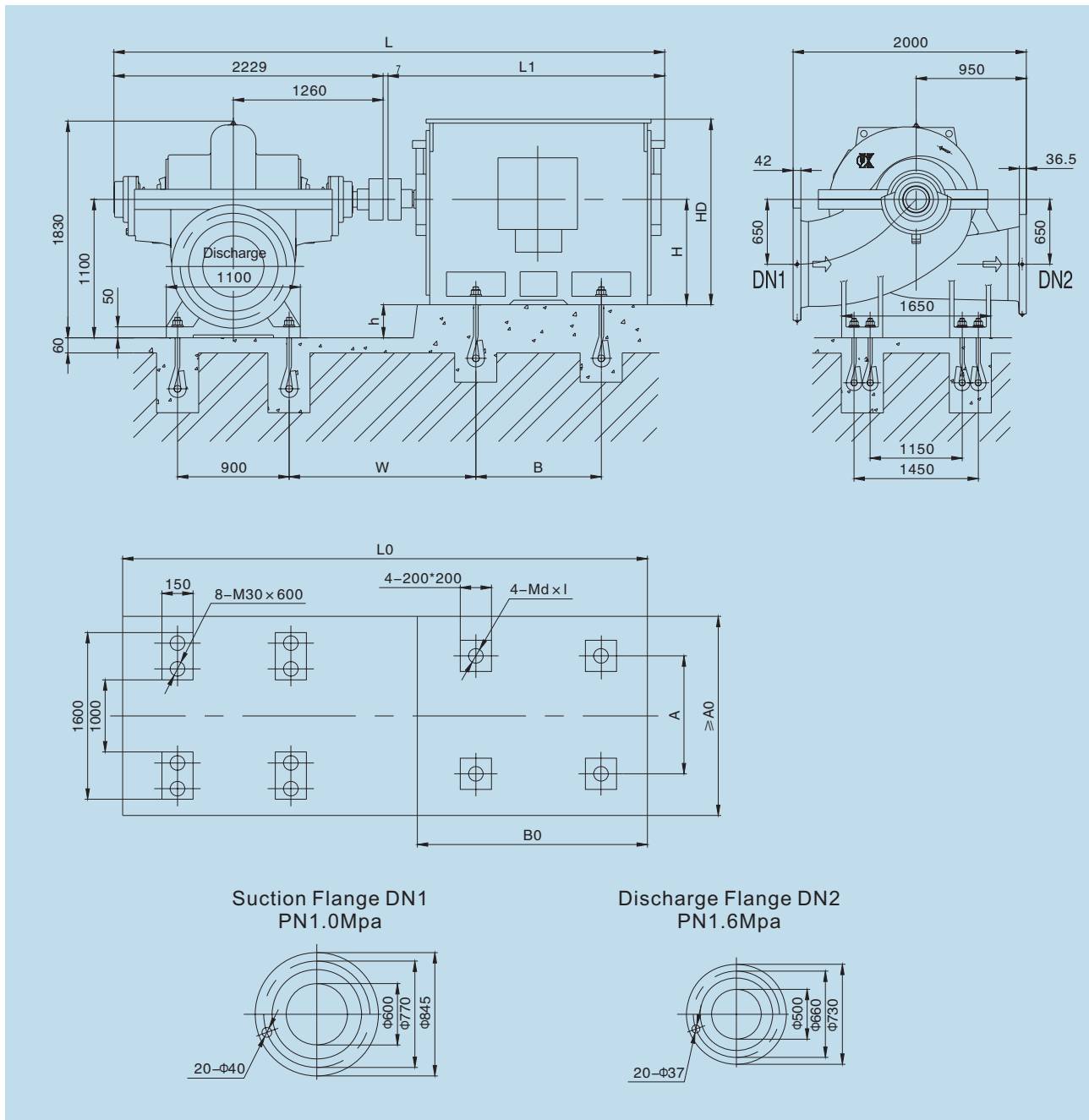
Model	Motor				Dimension (mm)											d×l	Weight (kg) Motor
	Model	Voltage	Class	Power (kW)	L	L1	L0	A0	B0	W	A	B	h	H	HD		
KQSN600-M6/N6	Y710-6, IMB3	6000	I	2800	5447	3200	5200	2400	2800	1731	1400	1800	290	710	2220	48×1000	11500
				2500													
				2240													
	Y630-6, IMB3	6000	I	2000	5047	2800	5000	2100	2600	1681	1120	1600	370	630	1920	42×800	10550
				1800													
				1600													
Y800-6, IMB3	10000	I	2800	5667	3420	5500	2600	3000	1731	1600	2000	200	800	2600	48×1000	13500	
			2500														
			2240														
Y710-6, IMB3	10000	I	2500	5447	3200	5200	2400	2800	1731	1400	1800	290	710	2220	48×1000	12500	
			2240														
			1800														
Y630-6, IMB3	10000	I	1600	5047	2800	5000	2100	2600	1681	1120	1600	270	630	1920	42×800	10500	
			1800														
			1600														

Note: Protection Class I, II, III respectively represent IP23, IP44, IP54

KQSN600- M(N)8 Technical Data



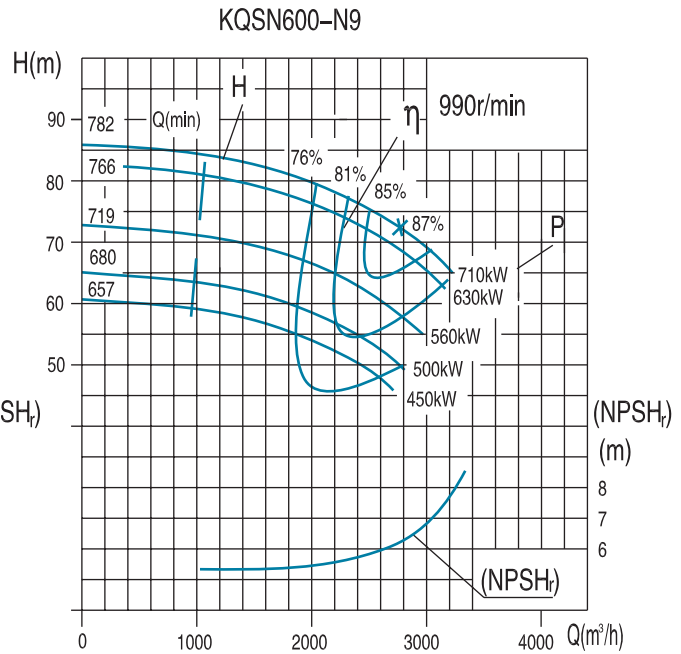
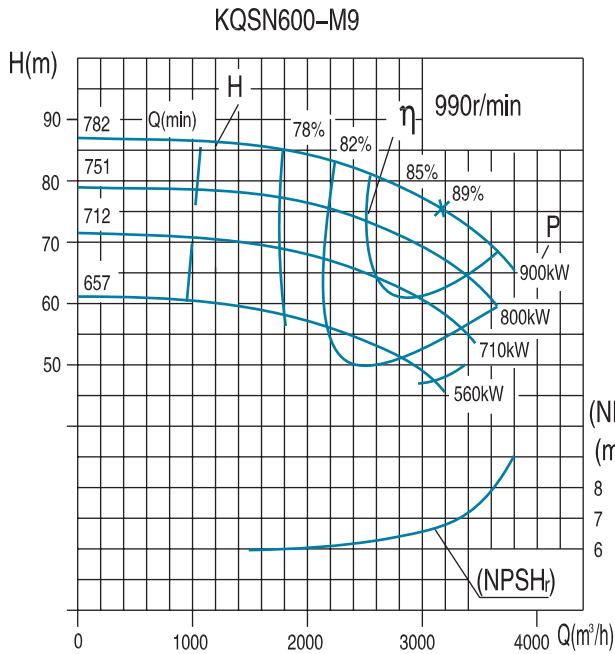
Model	Standard (mm)	Capacity		Head (m)	Speed (r/min)	Power (kW)		Efficiency %	(NPSH) _r (m)	Weight (kg)
		(m³/h)	(l/s)			Shaft Power	Motor Power			
KQSN600-M8	940	3040	844	127	990	1331	2000	79	7.9	4405
		5069	1408	116.3		1784		90		
		6080	1689	93		1879		82		
	920	2535	704	122	990	1080	1800	78	7.2	4400
		4230	1175	111.5		1443		89		
		5285	1468	89		1585		81		
	870	2400	667	111	990	955	1600	76	7.1	4395
		4000	1111	101		1265		87		
		5000	1389	81		1393		79		
	825	2280	633	100	990	840	1250	74	7	4390
3800		1056	91	1108		85				
4750		1319	73	1223		77				
775	2100	583	89	990	708	1120	72	6.9	4385	
	3500	972	81		930		83			
	4375	1215	65		1029		75			
KQSN600-N8	840	2160	600	99	990	756	1250	77	7.1	4395
		3600	1000	90		997		88.5		
		4500	1250	72		1103		80		
	805	2100	583	91	990	696	1000	75	7	4390
		3500	972	83		920		86		
		4375	1215	65		992		78		
	770	2020	561	86	990	647	1000	73	6.9	4385
		3370	936	78		852		84		
		4210	1169	62		941		76		
	735	1935	538	78	990	580	900	71	6.8	4380
3230		897	71	762		82				
4035		1121	57	843		74				
700	1840	511	73	990	520	800	70	6.7	4375	
	3070	853	66		690		80			
	3835	1065	53		766		72			



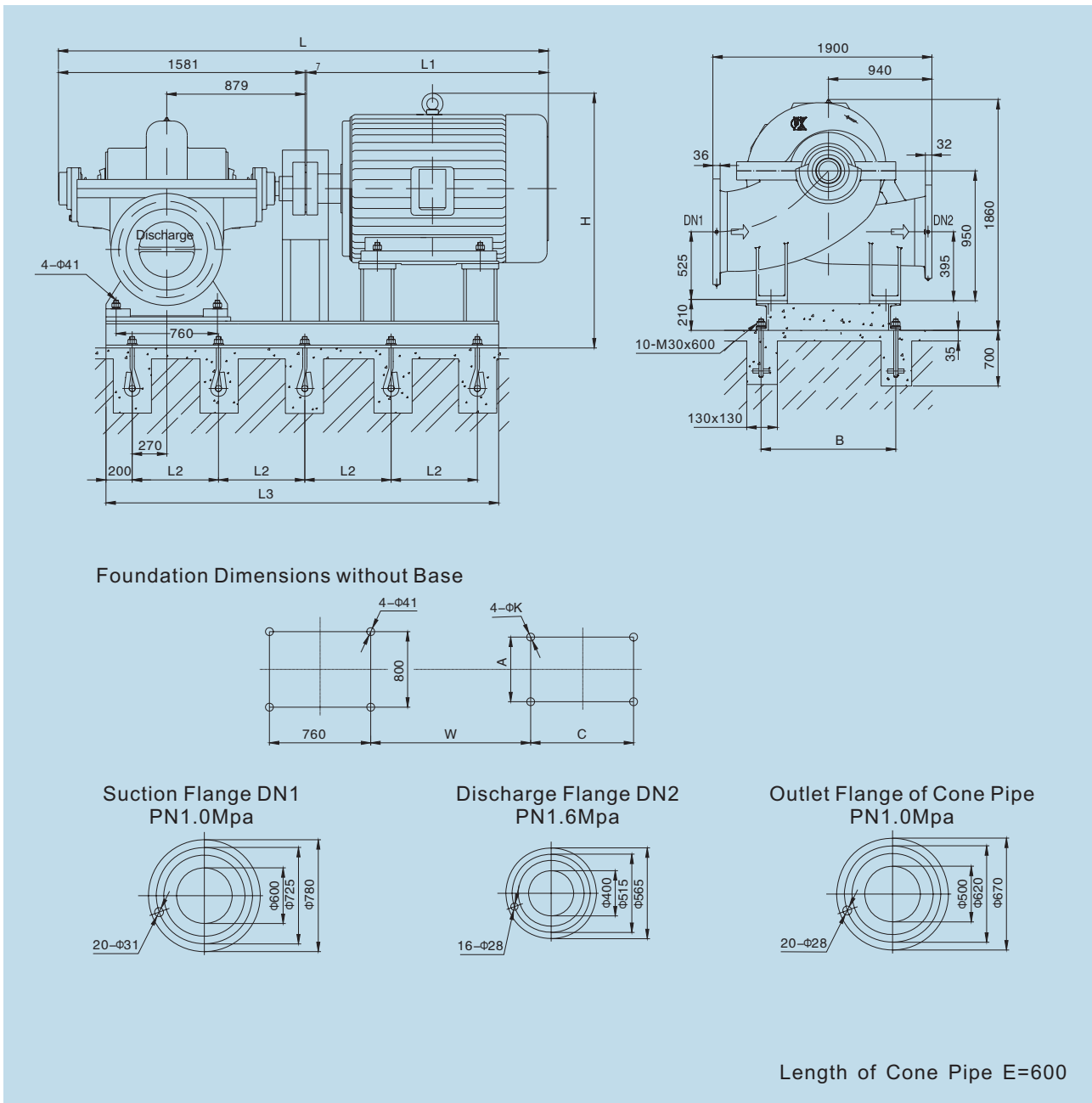
Model	Motor				Dimension (mm)												Weight (kg)
	Model	Voltage	Class	Power (kW)	L	L1	L0	A0	B0	W	A	B	h	H	HD	d _l	
KQSN600-M8/N8	Y630-6	6k	I	1600~2000	5036	2800	4700	1800	2500	1647	1120	1600	470	630	1290	42x600	11550
	Y560-6	6k	I	1120~1250	4636	2400	4500	1800	2200	1617	1000	1400	540	560	1180	36x600	6415
	Y500-6	6k	I	800~1000	4436	2200	4300	1800	2100	1542	900	1250	600	500	1050	36x600	4700
	Y710-6	10k	I	2000	5436	3200	5500	2800	3200	1697	1400	1800	390	710	2220	48x1000	12000
	Y630-6	10k	I	1600~1800	5036	2800	4700	1800	2500	1647	1120	1600	470	630	1290	42x600	10500
	Y560-6	10k	I	900~1250	4686	2450	4500	1800	2200	1617	1000	1400	540	560	1180	36x600	6290
Y500-6	10k	I	800	4436	2200	4300	1800	2100	1542	900	1250	600	500	1050	36x600	5050	

Note: Protection Class I, II, III respectively represent IP23, IP44, IP 54

KQSN600- M(N)9 Technical Data



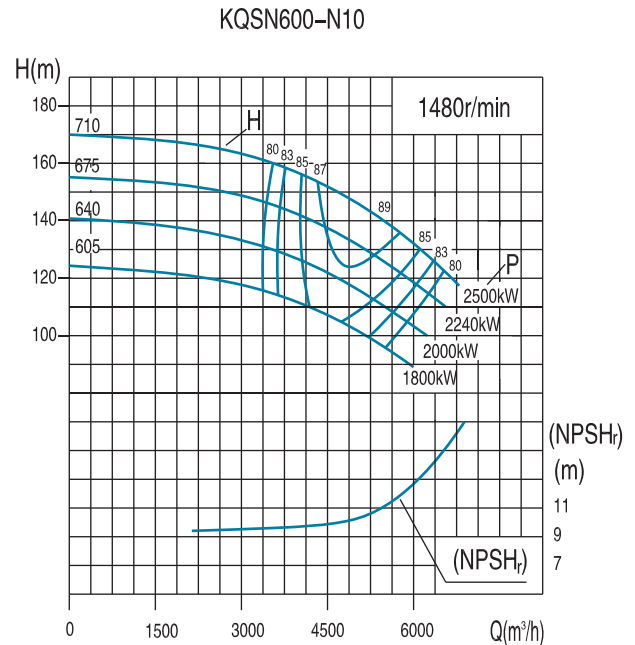
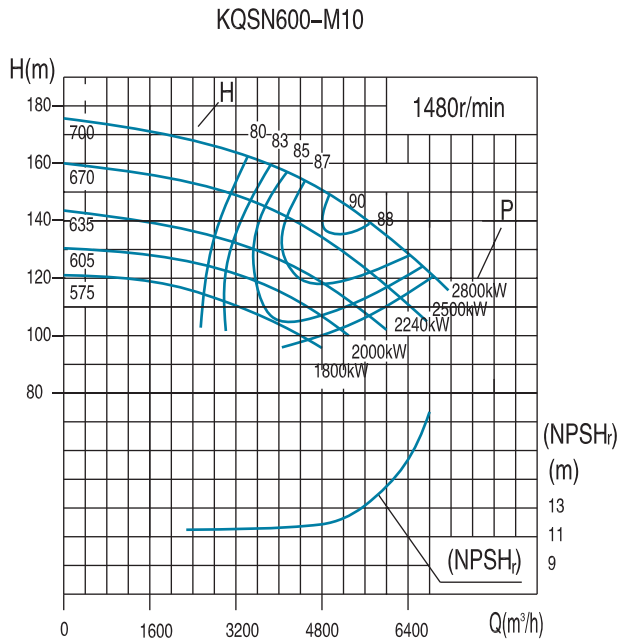
Model	Standard (mm)	Capacity		Head (m)	Speed (r/min)	Power (kW)		Efficiency %	(NPSH) _r (m)	Weight (kg)		
		(m³/h)	(l/s)			Shaft Power	Motor Power					
KQSN600-M9	782	1902	528.3	85	990	578.4	900	76	6.7	4160		
		3170	880.6	76		735.0		89				
		3804	1056.7	66		829.7		82				
	751	1826	507.2	78		525.6	800	74			6.5	4158
		3043	845.3	70		665.2	800	87				
		3652	1014.4	61		752.4	80					
	712	1731	480.8	70		460.1	710	72			6.3	4156
		2885	801.3	63		579.9		85				
		3462	961.6	54		657.3		78				
	657	1598	443.8	60		372.2	560	70			6.0	4154
		2663	739.7	53		467.1		83				
		3195	887.6	46		530.6		76				
KQSN600-N9	782	1614	448.3	82	990	527.8	710	68	6.0	4158		
		2690	747.2	73		617.5		87				
		3228	896.6	64		696.9		81				
	766	1582	439.3	71		459.5	630	66			5.9	4157
		2636	732.3	63		534.2		85				
		3163	878.7	55		596.3		79				
	719	1485	412.4	65		408.6	560	64			5.7	4154
		2475	687.4	58		471.9		83				
		2970	824.9	50		527.7		77				
	680	1404	390.0	60		368.4	500	62			5.6	4152
		2340	650.1	54		422.3		81				
		2808	780.1	47		473.2		75				
657	1356	376.6	54	328.1	450	60	5.4	4150				
	2360	627.6	48	389.9		79						
	2711	753.2	42	419.1		73						



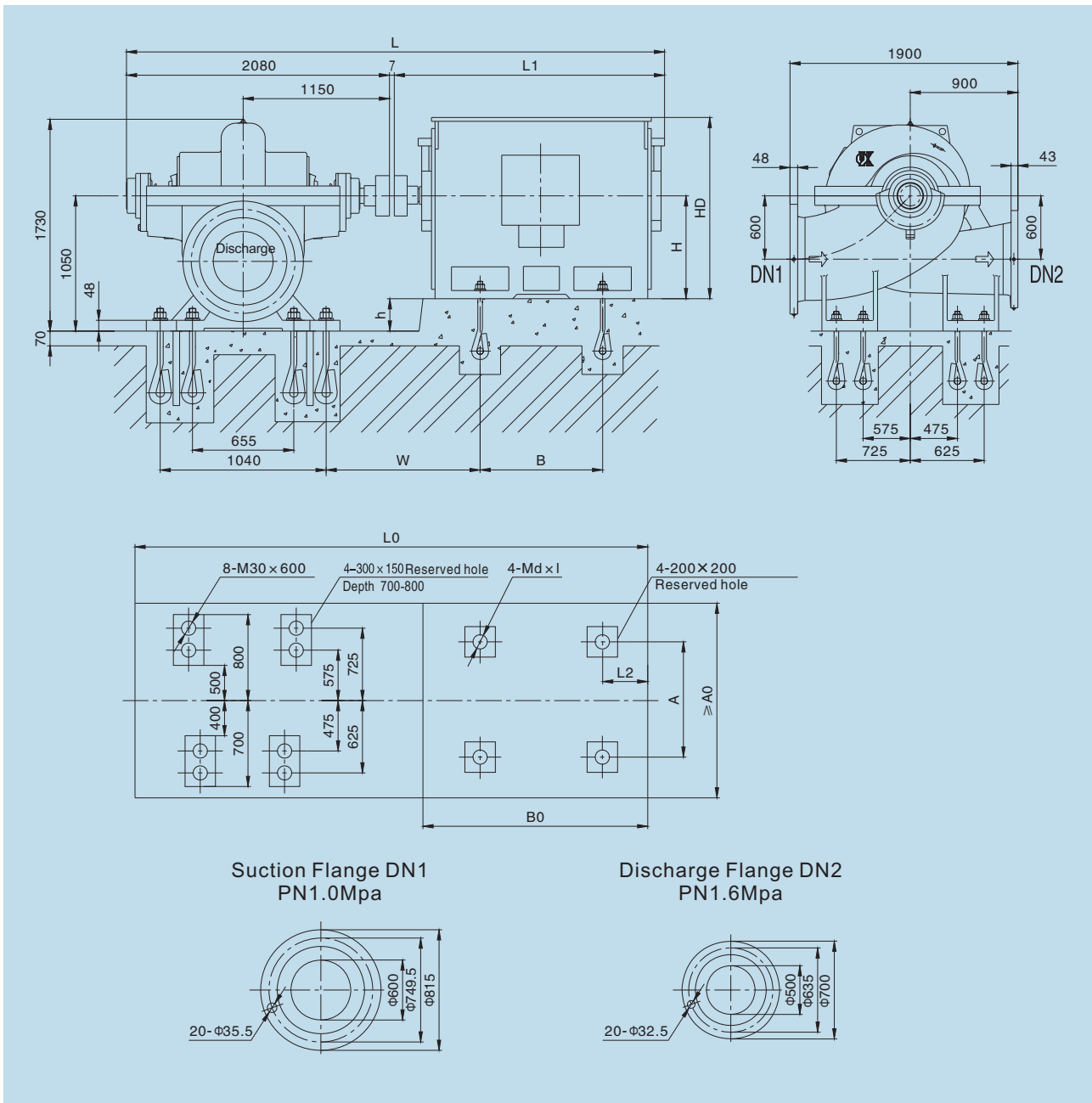
Model	Motor				Dimension (mm)								Weight (kg)			
	Model	Voltage	Class	Power (kW)	L	L1	L2	L3	B	H	W	A	C	K	Motor	Baseplate
KQSN600-M9/N9	Y500-6	6000	I / II	900	4138	2550	780	3571	1050	1700	1231	900	1250	42	4170	826
	Y500-6	6000	I / II	800/710	4138	2550	780	3571	1050	1700	1231	900	1250	42	4020	826
	Y450-6	6000	I / II	630~450	3768	2180	720	3330	960	1645	1111	800	1120	35	3700	808
	Y560-6	10000	I / II	900	4038	2450	830	3760	1150	1180	1306	1000	1400	42	6085	855
	Y500-6	10000	I / II	800~500	3788	2200	780	3570	1050	1050	1231	900	1250	42	5050	820
	Y450-6	10000	I / II	450	3638	2050	720	3320	960	950	1071	800	1120	35	3377	805

Note: Protection Class I, II, III respectively represent IP23, IP44, IP 54

KQSN600- M(N)10 Technical Data



Model	Standard (mm)	Capacity		Head (m)	Speed (r/min)	Power (kW)		Efficiency %	(NPSH) _r (m)	Weight (kg)
		(m³/h)	(l/s)			Shaft Power	Moter Power			
KQSN600-M10	700	3038	844.0	165.5	1480	1711.8	2800	80.0	12.0	4030
		5064	1406.7	149.6		2318.1		89.0		
		6077	1688.0	131.3		2526.6		86.0		
	670	2898	805.0	150.7	1480	1486.7	2500	80.0	11.7	4027
		4830	1341.7	136.1		2034.3		88.0		
		5796	1610.0	119.5		2219.1		85.0		
	635	2754	765.0	135.9	1480	1290.2	2240	79.0	11.4	4022
		4590	1275.0	122.8		1764.4		87.0		
		5508	1530.0	107.8		1925.0		84.0		
	605	2616	726.7	122.7	1480	1120.7	2000	78.0	11.0	4017
		4360	1211.1	110.8		1529.8		86.0		
		5232	1453.3	97.3		1670.3		83.0		
	575	2484	690.0	110.0	1480	966.4	1800	77.0	10.6	4012
		4140	1150.0	100.0		1342.2		84.0		
		4968	1380.0	88.0		1451.9		82.0		
KQSN600-N10	710	3132	870.0	161.1	1480	1706.9	2500	80.5	10.0	4022
		5220	1450.0	139.7		2244.0		88.5		
		6264	1740.0	120.0		2465.0		83.0		
	675	2978	827.1	143.9	1480	1496.0	2240	78.0	9.8	4017
		4963	1378.5	126.3		1962.0		87.0		
		5955	1654.2	109.0		2208.0		80.0		
	640	2823	784.1	127.4	1480	1271.9	2000	77.0	9.6	4012
		4705	1306.8	111.1		1655.1		86.0		
		5646	1568.2	97.9		1881.5		80.0		
	605	2668	741.2	110.6	1480	1057.5	1800	76.0	9.5	4005
		4447	1235.3	97.4		1387.8		85.0		
		5337	1482.4	86.3		1608.0		78.0		

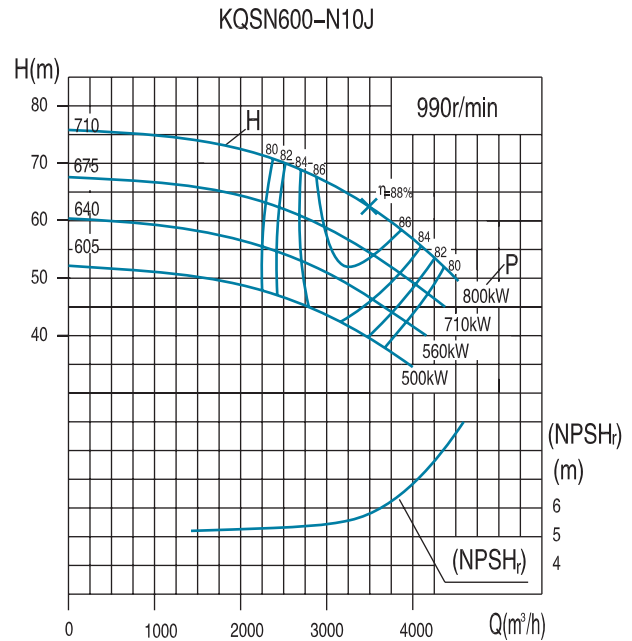
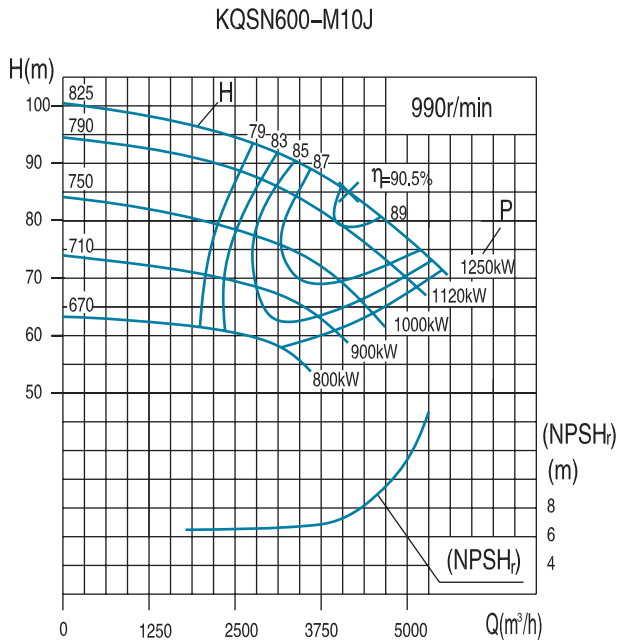


Model	Motor				Dimension (mm)													Weight (kg)	
	Model	Voltage	Class	Power (kW)	L	L0	L1	L2	A0	B0	W	A	B	h	H	HD	dxl	Motor	
KQSN600-M10/N10	Y560-6	6000	I	1120~1250	4487	4500	2400	350	2000	2360	1437	1000	1400	490	560	1180	36×600	6415	
	Y500-6			710~1000	4287	4250	2200	350	2000	2200	1362	900	1250	550	500	1050	36×600	4700	
	Y450-6			500~630	4127	4100	2040	450	2000	2035	1242	800	1120	600	450	950	30×600	3490	
	Y560-6	10000	I	900~1250	4537	4550	2450	350	2000	2360	1437	1000	1400	490	560	1180	36×600	6920	
	Y500-6			500~800	4287	4250	2200	350	2000	2200	1362	900	1250	550	500	1050	36×600	5050	

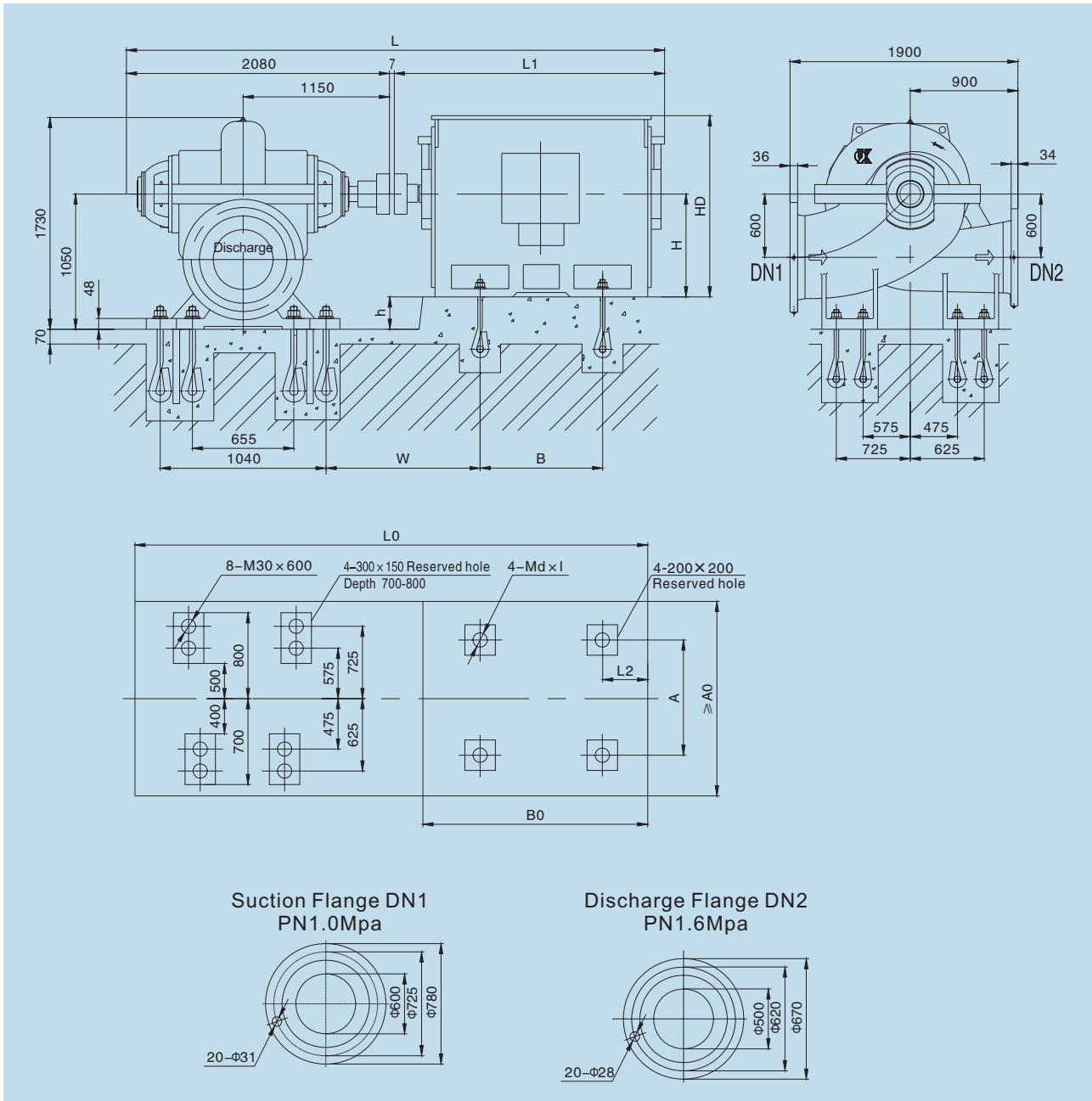
Note: Protection types I, II, III respectively represent IP23, IP44, IP54

The dimensions of Jiamusi Motor are shown in the Dimension Table. If another motor needs to be selected, please, confirm the necessary information with Kaiquan Technical Department.

KQSN600- M(N)10(J) Technical Data



Model	Standard (mm)	Capacity		Head (m)	Speed (r/min)	Power (kW)		Efficiency %	(NPSH) _r (m)	Weight (kg)
		(m³/h)	(l/s)			Shaft Power	Motor Power			
KQSN600-M10J	825	2460	683.3	94.1	990	793.0	1250	79.5	7.3	4028
		4100	1138.9	85.0		1048.7		90.5		
		4920	1366.7	77.8		1212.1		86.0		
	790	2376	660.0	88.5	990	702.6	1120	81.5	7.1	4025
		3960	1100.0	80.0		969.4		89.0		
		4752	1320.0	75.0		1096.0		85.5		
	750	2256	626.7	79.0	990	599.2	1000	81.0	6.9	4020
		3760	1044.4	72.1		843.7		87.5		
		4512	1253.3	63.0		944.0		82.0		
	710	2136	593.3	70.0	990	525.4	900	77.5	6.7	4015
3560		988.9	64.6	732.5		85.5				
4272		1186.7	55.0	810.0		79.0				
670	2015	559.7	61.5	990	456.0	800	74.0	6.5	4010	
	3358	932.8	57.5		633.5		83.0			
	4030	1119.3	48.5		700.3		76.0			
KQSN600-N10J	710	2095	582.0	72.1	990	520.8	800	79.0	5.8	4020
		3492	970.0	62.5		675.4		88.0		
		4190	1164.0	54.4		743.5		83.5		
	675	1992	553.3	64.4	990	450.8	710	77.5	5.6	4015
		3320	922.2	56.5		587.1		87.0		
		3984	1106.6	49.1		641.8		83.0		
	640	1888	524.5	57.0	990	383.2	560	76.5	5.4	4010
		3147	874.2	49.7		498.2		85.5		
		3777	1049.1	43.8		549.4		82.0		
	605	1785	495.8	49.5	990	318.7	500	75.5	5.3	4003
2975		826.4	43.6	418.0		84.5				
3570		991.7	38.6	463.3		81.0				



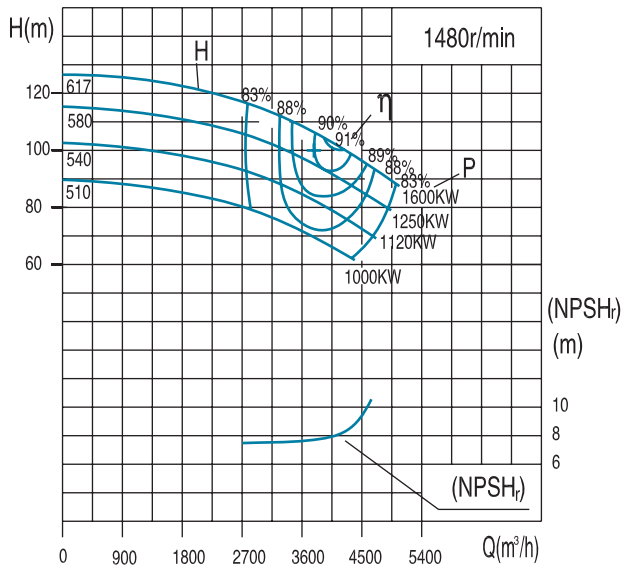
Model	Motor				Dimension (mm)												Weight (kg)
	Model	Voltage	Class	Power (kW)	L	L1	L0	A0	B0	W	A	B	h	H	HD	d _{xl}	
KQSN600-M10J/N10J	YKK450-6	6000	III/II	500	4347	2260	4400	1600	1970	1242	800	1120	600	450	1660	30×600	4810
	YKK500-6	6000	III/II	560~800	4637	2550	4650	1700	2225	1362	900	1250	550	500	1860	36×600	5880
	YKK560-6	6000	III/II	900~1120	4847	2760	4880	1800	2400	1437	1000	1400	490	560	2200	36×600	8100
	YKK630-6	6000	III/II	1250	5387	3300	5100	2000	2630	1467	1120	1600	420	630	2250	42×800	10750
	YKK500-6	10000	III/II	500/560	4687	2600	4650	1700	2225	1362	900	1250	550	500	1850	36×600	6110
	YKK560-6	10000	III/II	630~900	4787	2700	4880	1800	2400	1437	1000	1400	490	560	2125	36×600	8300
	YKK630-6	10000	III/II	1000~1250	5387	3300	5100	2000	2630	1467	1120	1600	420	630	2250	42×800	11500

Note: Protection types I, II, III respectively represent IP23, IP44, IP 54

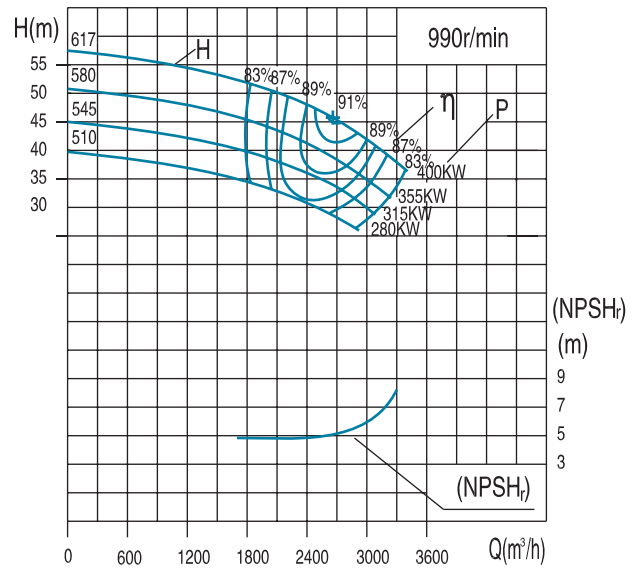
The dimensions of Jiamusi Motor are shown in the Dimension Table. If another motor needs to be selected, please, confirm the necessary information with Kaiquan Technical Department.

KQSN600- M12S(J) Technical Data

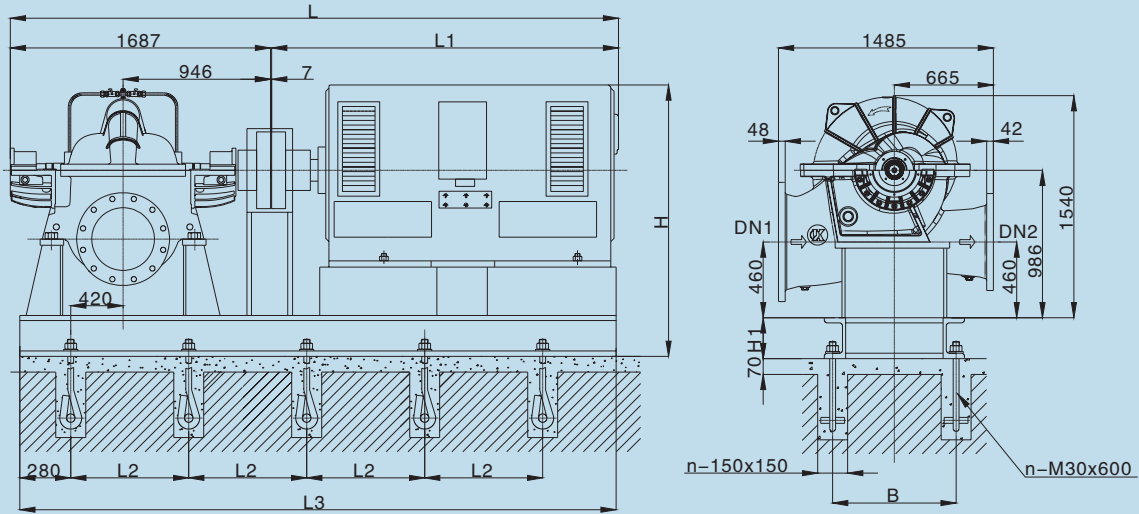
KQSN600-M12S



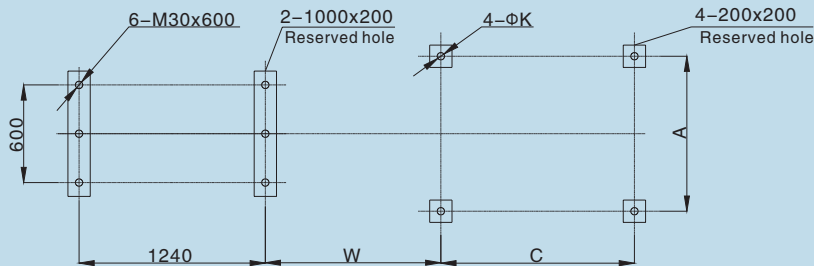
KQSN600-M12SJ



Model	Standard (mm)	Capacity		Head (m)	Speed (r/min)	Power (kW)		Efficiency %	(NPSH)r (m)	Weight (kg)	
		(m³/h)	(l/s)			Shaft Power	Motor Power				
KQSN600-M12S	617	2424	673.3	120	1480	966.0	1600	82.0	8.0	2440	
		4040	1122.2	105		1269.5		91.0			
		4848	1346.7	93		1427.7		86.0			
	580	2279	633.0	108	1480	827.5	1250	81.0	7.9	2438	
		3798	1055.0	93		1074.8		89.5			
	550	2161	600.2	97	1480	704.6	1120	81.0	7.8	2436	
		3601	1000.3	84		930.8		88.5			
	520	2042	3404	945.6	75	1480	808.4	1000	86.0	7.7	2434
			4085	1134.7	67		887.3		84.0		
	KQSN600-M12SJ	617	1620	450.0	53	990	285.2	400	82.0	5.1	2440
			2700	750.0	46		371.7		91.0		
3240			900.0	39	393.3		87.5				
580		1523	423.0	47	990	237.7	355	82.0	4.9	2438	
		2538	705.0	41		316.6		89.5			
550		1444	401.2	42	990	203.9	315	81.0	4.7	2436	
		2407	668.6	37		275.6		88.0			
520		1365	2275	631.9	33	990	231.4	280	87.0	4.5	2434
			2730	758.3	28		242.1		86.0		

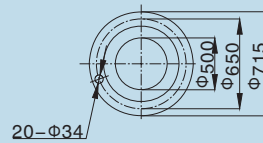
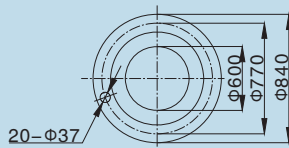


Foundation Dimensions without Base



Suction Flange DN1
PN1.0Mpa

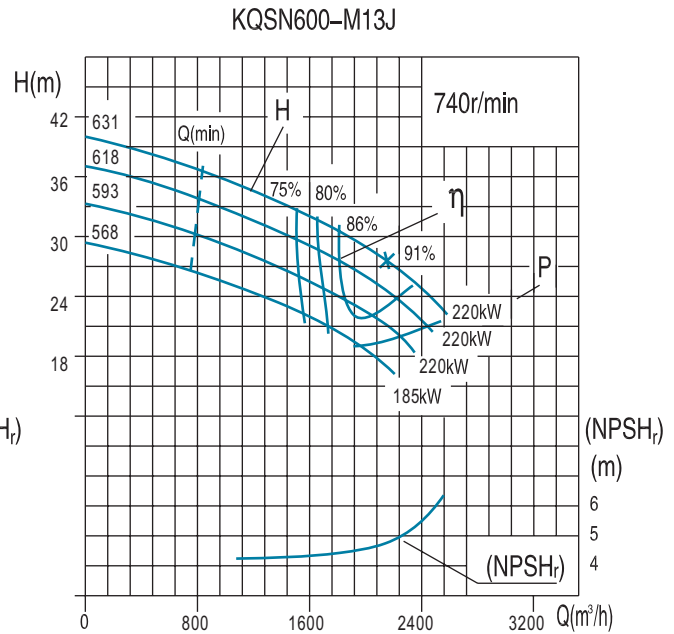
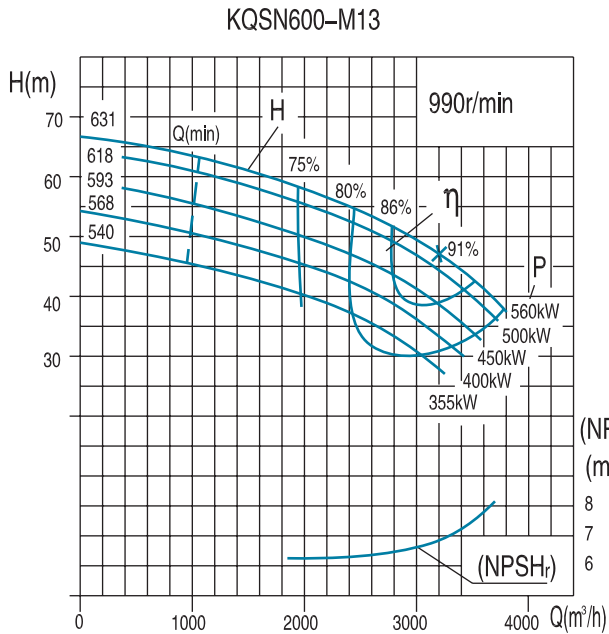
Discharge Flange DN2
PN1.6Mpa



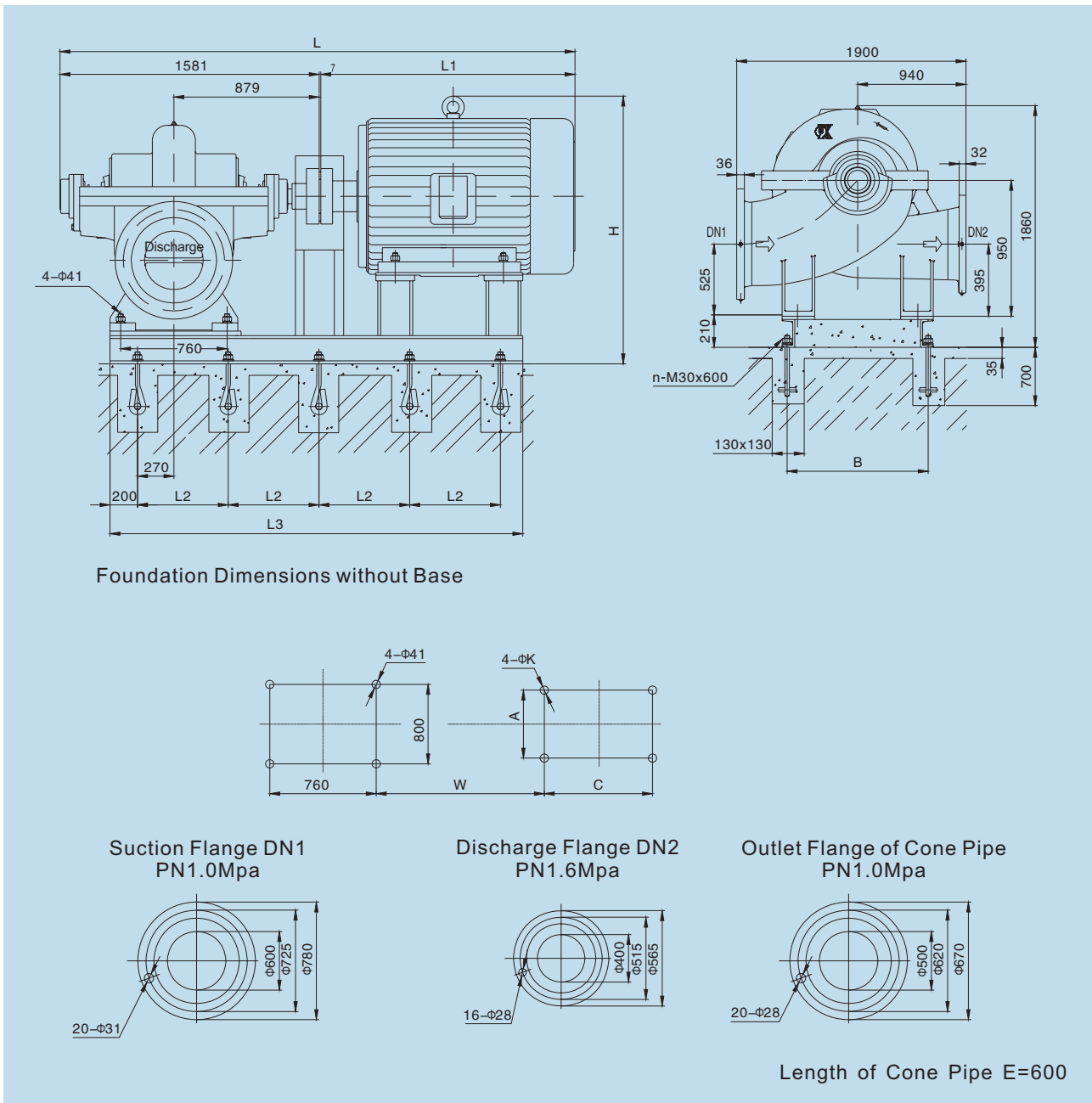
Model	Motor				Dimension (mm)										Weight (kg)		The number of anchor bolts n	
	Model	Voltage	Class	Power (kW)	L	L1	L2	L3	B	H	H1	W	A	C	K	Motor		Baseplate
KQSN600-M12S	YKK500-4	6000	III / II	1000/1120	4394	2700	980	3933	1100	2796	210	1058	900	1250	42	5060	980	10
	YKK560-4	6000	III / II	1250-1600	4894	3200	940	4283	1200	2786	210	1083	1000	1400	42	7070	1080	10
	YKK560-4	10000	III / II	1000-1250	4994	3300	940	4283	1200	2786	210	1083	1000	1400	42	6980	1080	10
	YKK630-4	10000	III / II	1600	5294	3600	940	4473	1300	2766	210	1163	1120	1600	48	9430	1100	10
KQSN600-M12SJ	YKK450-6	10000	III / II	280-400	3969	2275	750	3633	960	2511	210	898	800	1120	35	3360	950	10
	YKK400-6	6000	III / II	280/315	3864	2170	640	3368	960	2286	210	878	710	1000	35	2540	900	10
	YKK450-6	6000	III / II	355/400	4054	2360	750	3538	960	2511	210	938	800	1120	35	3400	950	10
	YE3-355L-6	380	III / II	280	3324	1630	750	2789	860	1671	190	757	610	560	28	1847	750	8

Note: Protection Class I, II, III respectively represent IP23, IP44, IP 54

KQSN600- M13(J) Technical Data



Model	Standard (mm)	Capacity		Head (m)	Speed (r/min)	Power (kW)		Efficiency %	(NPSH) _r (m)	Weight (kg)		
		(m ³ /h)	(l/s)			Shaft Power	Motor Power					
KQSN600-M13	631	1932	528.3	59	990	395.3	560	78	6.7	3856		
		3220	880.6	48		472.9		89				
		3864	1056.7	38		493.7		81				
	618	1864	517.8	56		375.9	500	76			6.6	3855
		3107	862.9	46		443.5		87				
		3728	1035.5	36		461.4		79				
	593	1788	496.6	52		340.7	450	74			6.5	3853
		2980	827.7	42		400.6		85				
		3576	993.3	33		417.7		77				
	568	1712	475.5	47		307.3	400	72			6.3	3851
		2853	792.5	38		360.1		83				
		3424	951.0	30		376.4		75				
	540	1626	451.7	43		271.0	355	70			6.1	3849
		2710	752.9	35		316.3		81				
		3252	903.5	27		331.6		73				
KQSN600-M13J	631	1444	401	33	740	166.1	220	78	4.8	3855		
		2407	669	27		197.4		89				
		2888	802	21		206.1		81				
	618	1414	393	32		160.2	220	76			4.6	3854
		2357	655	26		189.7		87				
		2829	786	20		198.5		79				
	593	1357	377	29		145.4	220	74			4.4	3851
		2262	628	24		171.6		85				
		2714	754	19		179.9		77				
	568	1300	361	27		131.3	185	72			4.2	3848
		2167	602	22		154.4		83				
		2600	722	17		162.3		75				
	540	1236	343	24		116.0	160	70			4.0	3845
		2060	572	20		136.0		81				
		2472	687	16		143.3		73				

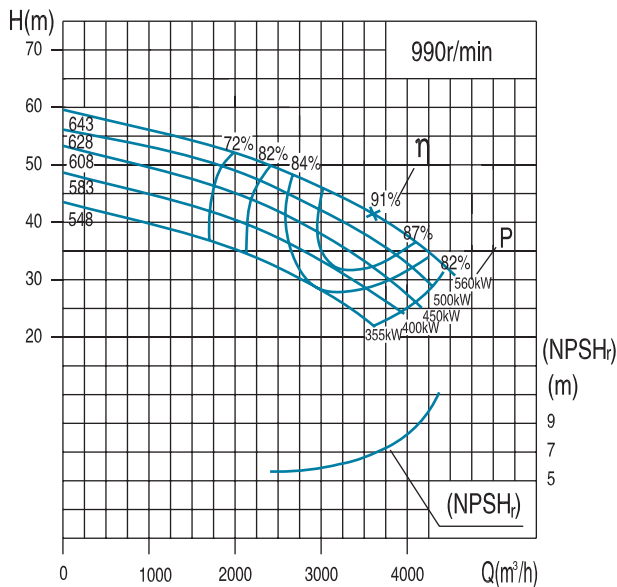


Model	Motor				Dimension (mm)										Weight (kg)		The number of anchor bolts
	Model	Voltage	Class	Power (kW)	L	L1	L2	L3	B	H	W	A	C	K	Motor	Baseplate	n
KQSN600-M13/N13	Y450-6	6000	I /II	560~450	3698	2120	720	3330	960	1645	1111	800	1120	35	3500	795	10
	Y400-6	6000	I /II	400~315	3528	1940	880	3156	960	1595	1051	710	1000	35	2590	784	8
	Y500-6	10000	I /II	560~500	3788	2200	780	3570	1050	1710	1231	900	1250	42	4600	820	10
	Y450-6	10000	I /II	450	3638	2050	720	3320	960	1660	1071	800	1120	35	3377	805	10
	Y450-6	10000	I /II	400~315	3638	2050	720	3320	960	1660	1071	800	1120	35	3175	805	10
	Y400L-6	380	III/II	400	3468	1890	800	2888	960	1850	996	686	710	35	3400	762	8
	Y400MX-6	380	III/II	355	3468	1890	800	2888	960	1850	996	686	630	35	3100	762	8
Y400M-6	380	III/II	315	3468	1890	800	2888	960	1850	996	686	630	35	3200	762	8	

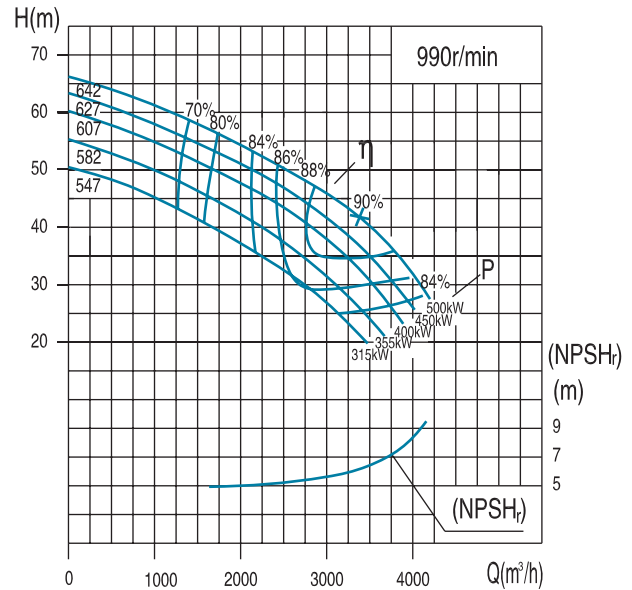
Note: Protection Class I , II ,III respectively represent IP23, IP44, IP 54

KQSN600- M(N)14 Technical Data

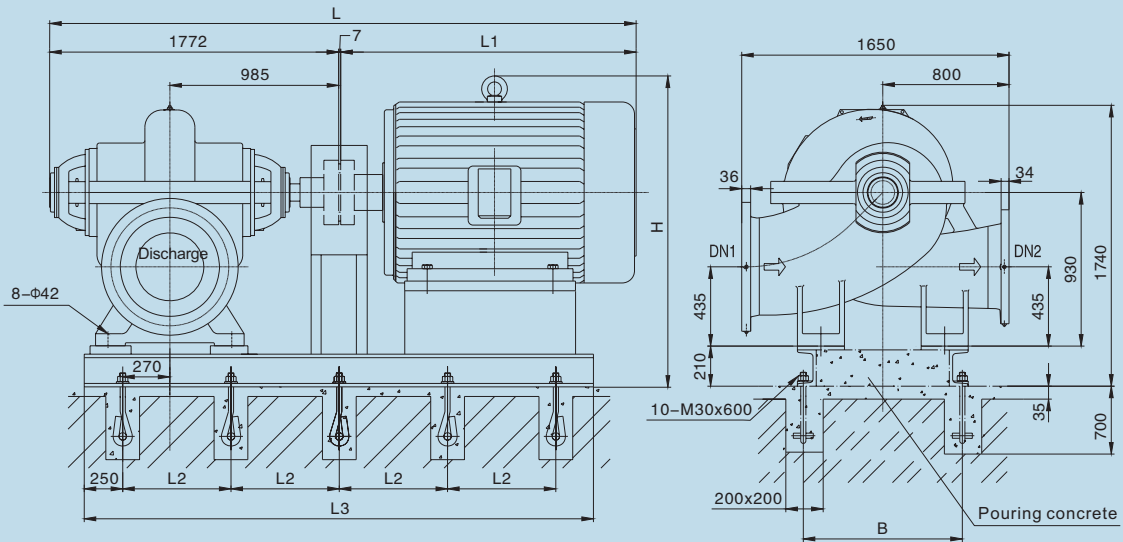
KQSN600-M14



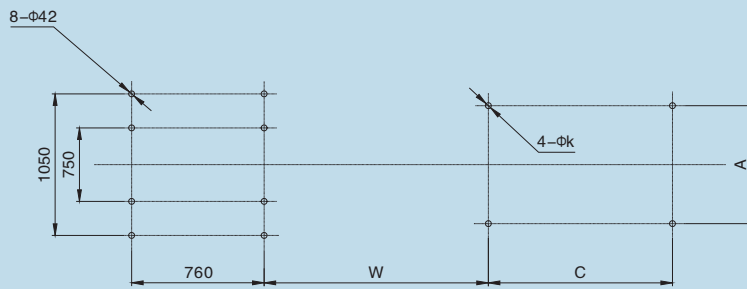
KQSN600-N14



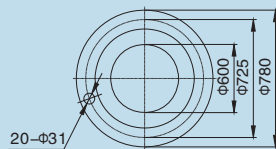
Model	Standard (mm)	Capacity		Head (m)	Speed (r/min)	Power (kW)		Efficiency %	(NPSH) _r (m)	Weight (kg)
		(m ³ /h)	(l/s)			Shaft Power	Motor Power			
KQSN600-M14	643	2160	600.0	52	990	392.2	560	78.0	6.8	2500
		3600	1000.0	41		441.7		91.0		
		4320	1200.0	32		448.2		84.0		
	628	1987	552.0	49	990	353.6	500	75.0	6.6	2495
		3312	920.0	38		385.1		89.0		
		3974	1104.0	31		390.2		86.0		
	608	1908	529.9	45	990	299.7	450	78.0	6.4	2490
		3180	883.2	36		358.3		87.0		
		3815	1059.8	29		367.5		82.0		
	583	1812	503.4	41	990	277.2	400	73.0	6.2	2483
		3021	839.0	33		319.4		85.0		
		3625	1006.8	27		325.0		82.0		
	548	1710	475.0	37	990	226.7	315	76.0	6.0	2477
		2850	791.7	29		268.0		84.0		
		3420	950.0	24		272.6		82.0		
KQSN600-N14	642	1950	541.7	54	990	349.7	500	82.0	5.9	2500
		3250	902.8	42		413.0		90.0		
		3900	1083.3	31		378.4		87.0		
	627	1872	520.0	51	990	325.0	450	80.0	5.7	2495
		3120	866.7	39		372.3		89.0		
		3744	1040.0	30		351.6		87.0		
	607	1797	499.2	47	990	289.3	400	79.5	5.5	2490
		2995	832.0	37		343.0		88.0		
		3594	998.4	28		318.7		86.0		
	582	1725	479.2	44	990	263.3	355	78.5	5.4	2483
		2875	798.7	32		288.0		87.0		
		3450	958.5	25		276.4		85.0		
	547	1656	460.1	40	990	232.8	315	77.5	5.3	2477
		2760	766.8	29		253.5		86.0		
		3312	920.1	22		239.1		83.0		



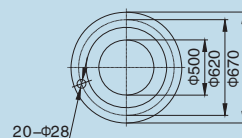
Foundation Dimensions without Base



Suction Flange DN1
PN1.0Mpa



Discharge Flange DN2
PN1.6Mpa

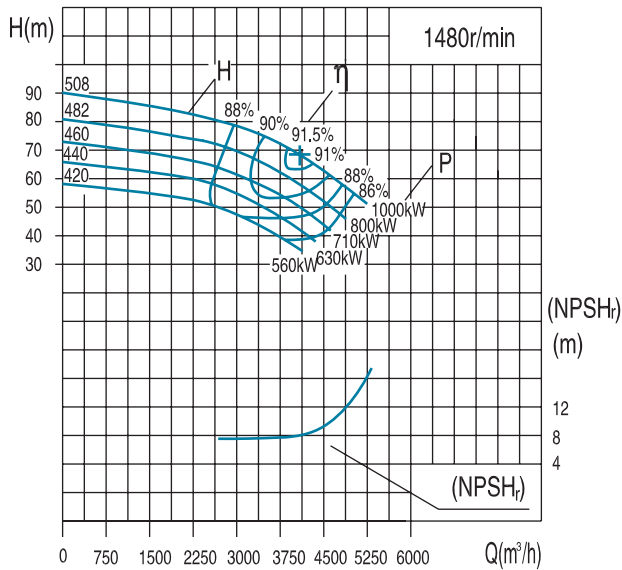


Model	Motor				Dimension (mm)									Weight (kg)		
	Model	Voltage	Class	Power (kW)	L	L1	L2	L3	B	H	W	A	C	K	Motor	Baseplate
KQSN600-M14/N14	YKK500-6	6k	III/II	560	4329	2550	800	3665	1200	2500	1337	900	1250	42	5355	860
	YKK450-6	6k	III/II	355-500	4039	2260	760	3525	1200	2350	1217	800	1120	35	4810	850
	YKK400-6	6k	III/II	315	4029	2250	715	3360	1200	2200	1157	710	1000	35	3020	840
	YKK500-6	10k	III/II	355-560	4379	2600	800	3665	1200	2490	1337	900	1250	42	6110	860
	YKK450-6	10k	III/II	315	4129	2350	750	3485	1200	2350	1177	800	1120	35	4560	845

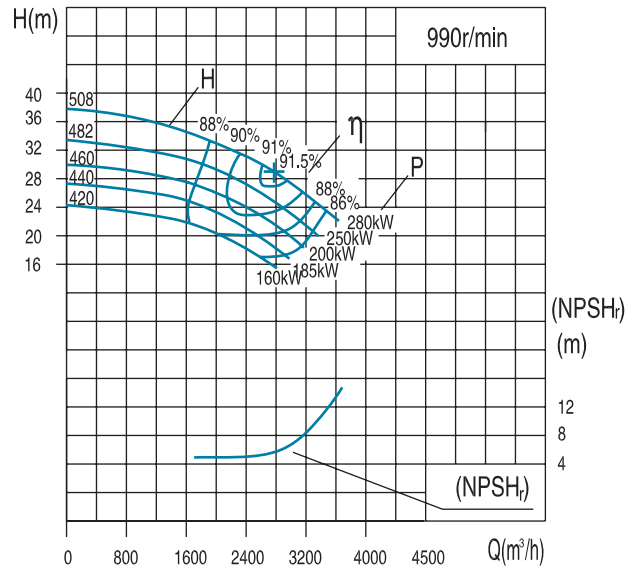
Note: Protection Class I, II, III respectively represent IP23, IP44, IP 54

KQSN600- M17S(J) Technical Data

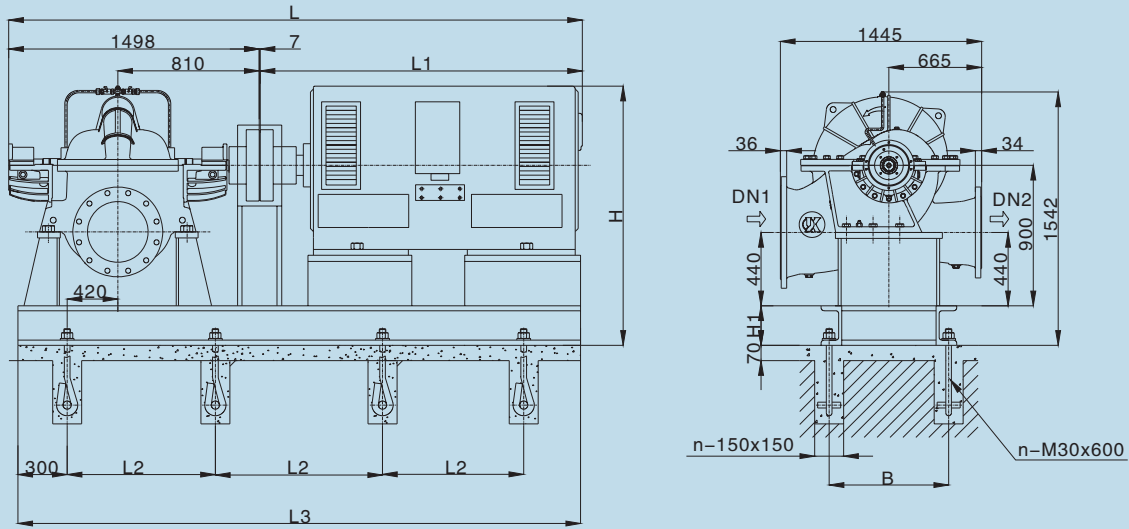
KQSN600-M17S



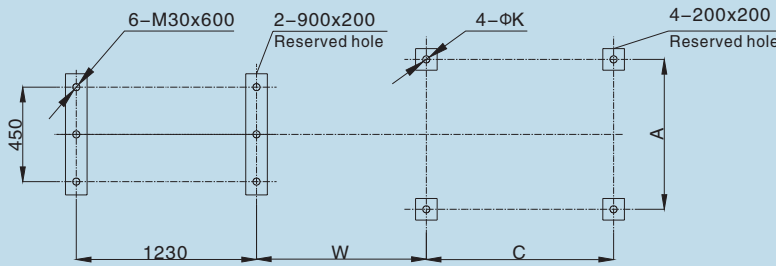
KQSN600-M17SJ



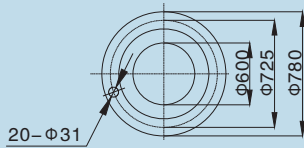
Model	Standard (mm)	Capacity		Head (m)	Speed (r/min)	Power (kW)		Efficiency %	(NPSH) _r (m)	Weight (kg)
		(m³/h)	(l/s)			Shaft Power	Moter Power			
KQSN600-M17S	508	2448	680.0	82	1480	635.7	1000	86.0	8.0	2300
		4080	1133.3	68		825.7		91.5		
		4896	1360.0	54		827.6		87.0		
	482	2322	645.0	76	1480	565.4	800	85.0	7.9	2295
		3870	1075.0	60		689.1		91.0		
		4644	1290.0	48		701.8		86.5		
	460	2216	615.7	68	1480	485.7	710	84.5	7.8	2290
		3694	1026.1	54		603.6		90.0		
		4433	1231.3	41		574.2		86.2		
	440	2120	588.8	62	1480	431.2	630	83.0	7.7	2285
		3533	981.4	49		529.7		89.0		
		4240	1177.7	38		513.1		85.5		
420	2024	562.2	54	1480	367.4	560	81.0	7.6	2280	
	3373	936.9	44		459.3		88.0			
	4048	1124.3	34		440.9		85.0			
KQSN600-M17SJ	508	1680	466.7	35	990	184.1	280	87.0	5.3	2300
		2800	777.8	30		250.0		91.5		
		3360	933.3	24		252.4		87.0		
	482	1594	442.7	32	990	161.3	250	86.1	5.2	2295
		2656	737.8	25		198.7		91.0		
		3187	885.3	18		181.0		86.3		
	460	1521	422.5	29	990	139.7	200	86.0	5.1	2290
		2535	704.2	23		175.5		90.5		
		3042	845	17		163.4		86.2		
	440	1455	404.2	26	990	120.5	185	85.5	5.0	2285
		2425	673.6	21		155.8		89.0		
		2910	808.3	17		157.0		85.8		
420	1388	385.7	21	990	94.5	160	84.0	4.9	2280	
	2314	642.8	19		136.8		87.5			
	2777	771.3	15		133.4		85.0			



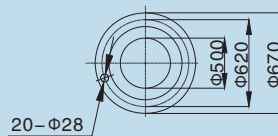
Foundation Dimensions without Base



Suction Flange DN1
PN1.0Mpa



Discharge Flange DN2
PN1.6Mpa

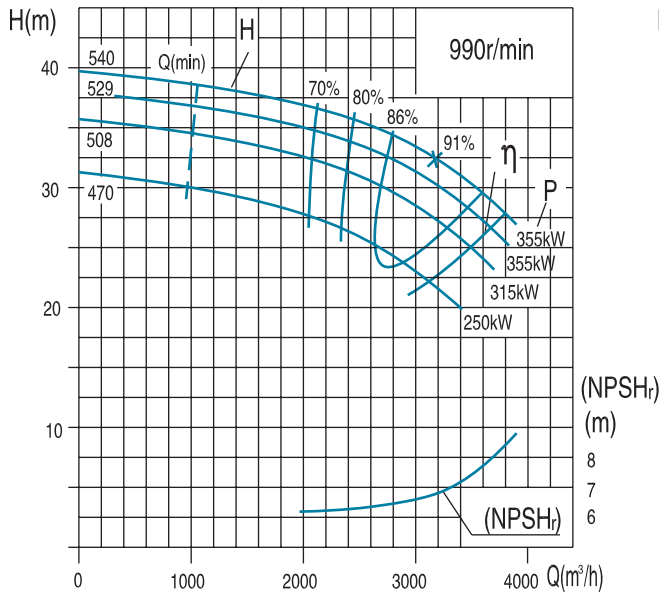


Model	Motor				Dimension (mm)											Weight (kg)		The number of anchor bolts n
	Model	Voltage	Class	Power (kW)	L	L1	L2	L3	B	H	H1	W	A	C	K	Motor	Baseplate	
KQSN600-M17S	YKK450-4	6K	III / II	560-710	3825	2320	900	3382	950	2425	210	767	800	1120	35	3810	935	8
	YKK500-4	6K	III / II	800-1000	4205	2700	780	3817	1050	2700	210	927	900	1250	42	4940	980	10
	YKK500-4	10K	III / II	560-1000	4505	3000	780	3777	1050	2700	210	887	900	1250	42	5200	980	10
KQSN600-M17SJ	YE3-355M-6	380	III / II	160-200	3035	1530	700	2673	750	1595	200	626	610	560	28	1596	600	8
	YE3-355L-6	380	III / II	220-280	3035	1530	700	2673	750	1595	200	626	610	630	28	1847	600	8

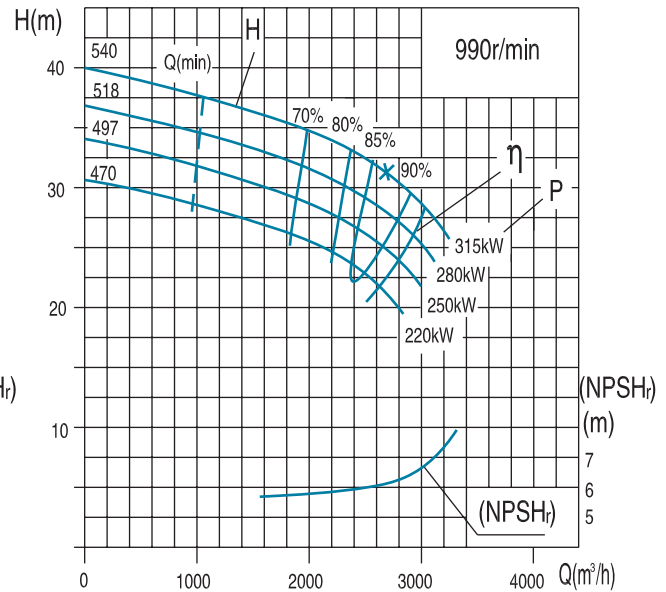
Note: Protection Class I, II, III respectively represent IP23, IP44, IP 54

KQSN600- M(N)19 Technical Data

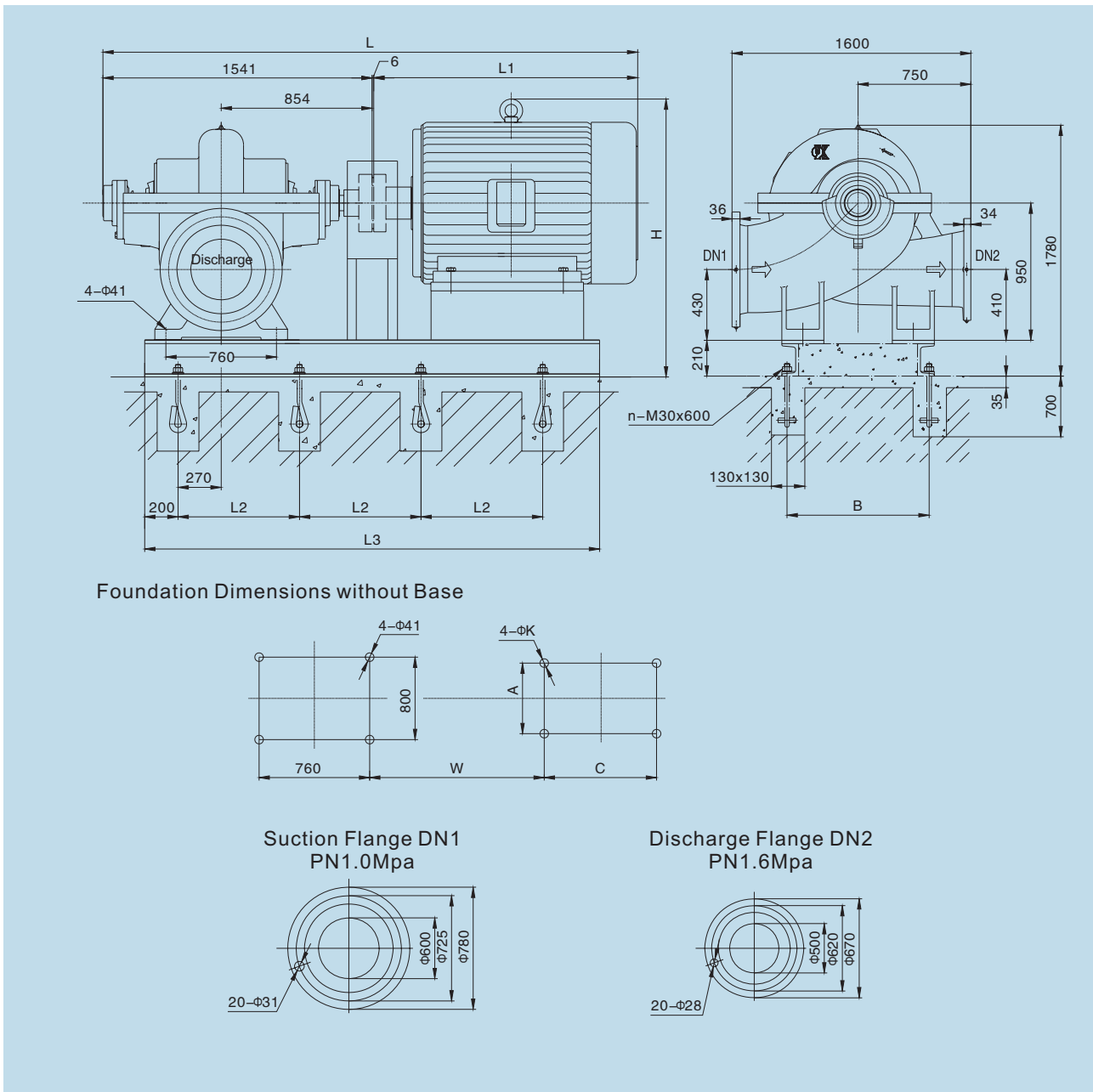
KQSN600-M19



KQSN600-N19



Model	Standard (mm)	Capacity		Head (m)	Speed (r/min)	Power (kW)		Efficiency %	(NPSH) _r (m)	Weight (kg)
		(m³/h)	(l/s)			Shaft Power	Motor Power			
KQSN600-M19	540	1902	528.3	37	990	280.6	355	69	6.7	2855
		3170	880.6	32		306.7		91		
		3804	1056.7	25		335.5		78		
	529	1864	517.8	36	990	268.0	355	68	6.6	2854
		3107	862.9	31		291.9		90		
		3728	1035.5	24		319.8		77		
	508	1788	496.6	33	990	240.0	315	67	6.5	2852
		2980	827.7	29		260.5		89		
3576		993.3	22	286.0		76				
470	1655	459.7	28	990	193.2	250	66	6.1	2850	
	2758	766.1	24		208.9		88			
	3309	919.3	19		229.7		75			
KQSN600-N19	540	1614	448.3	36	990	252.4	315	63	6.0	2854
		2690	747.2	31		254.7		90		
		3228	896.6	25		279.0		78		
	518	1549	430.4	33	990	226.9	280	62	5.9	2852
		2582	717.3	29		227.9		89		
		3099	860.7	23		250.0		77		
	497	1485	412.4	31	990	203.0	250	61	5.8	2850
		2475	687.4	26		202.8		88		
2970		824.9	21	222.9		76				
470	1404	390.0	27	990	174.5	220	60	5.5	2848	
	2340	650.0	24		173.5		87			
	2808	780.1	19		191.0		75			

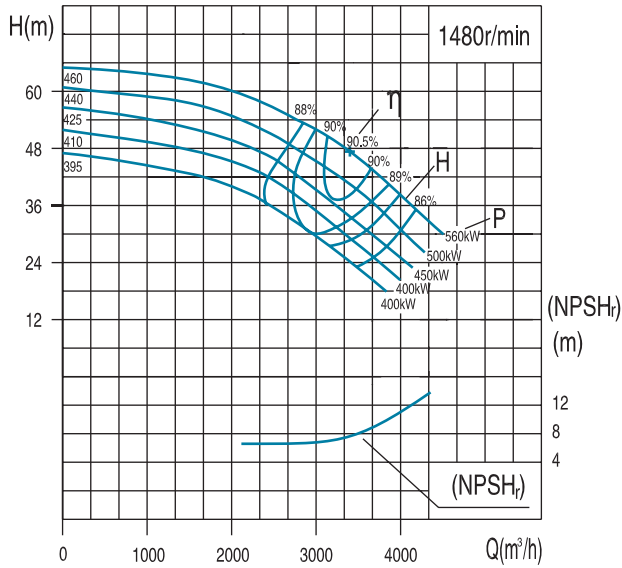


Model	Motor				Dimension (mm)									Weight (kg)		The number of anchor bolts n	
	Model	Voltage	Class	Power (kW)	L	L1	L2	L3	B	H	W	A	C	K	Motor		Baseplate
KQSN600-M19/N19	Y355L1-6	380	I	280	3238	1690	700	2650	960	1925	944	610	630	28	1710	620	8
	Y355M-6	380	I	250/220	3168	1620	700	2650	960	1925	944	610	560	28	1610	620	8
	Y400-6	6000	I / II	400~280	3486	1940	880	3180	960	1595	1025	710	1000	35	2830	635	8
	Y355-6	6000	I / II	250/220	3437	1890	860	3030	960	1975	1005	630	900	28	1930	630	8
	Y450-6	10000	I / II	400~220	3597	2050	720	3300	960	1660	1045	800	1120	35	3295	645	10
	Y400L-6	380	III/II	400	3436	1890	800	2890	960	1850	970	686	710	35	3400	625	8
	Y400MX-6	380	III/II	355	3436	1890	800	2890	960	1850	970	686	630	35	3200	625	8
	Y400M-6	380	III/II	315/280	3436	1890	800	2890	960	1850	970	686	630	35	3100	625	8
Y355L1-6	380	III/II	250/220	3116	1570	700	2650	960	1850	904	610	630	28	1820	620	8	

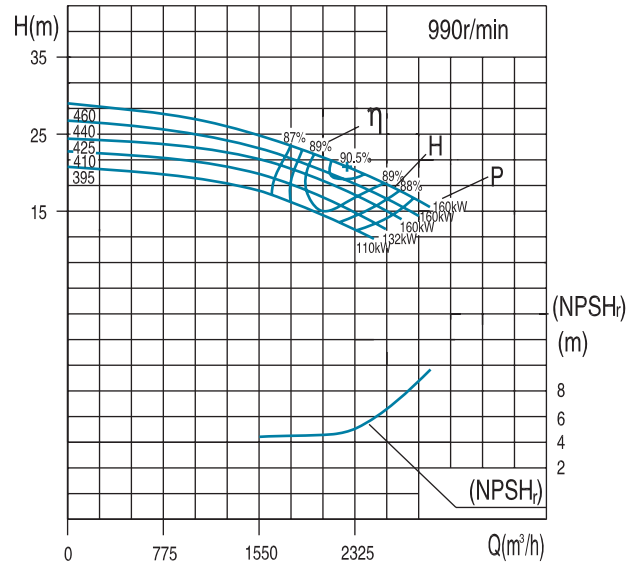
Note: Protection Class I, II, III respectively represent IP23, IP44, IP 54

KQSN600- M20S(J) Technical Data

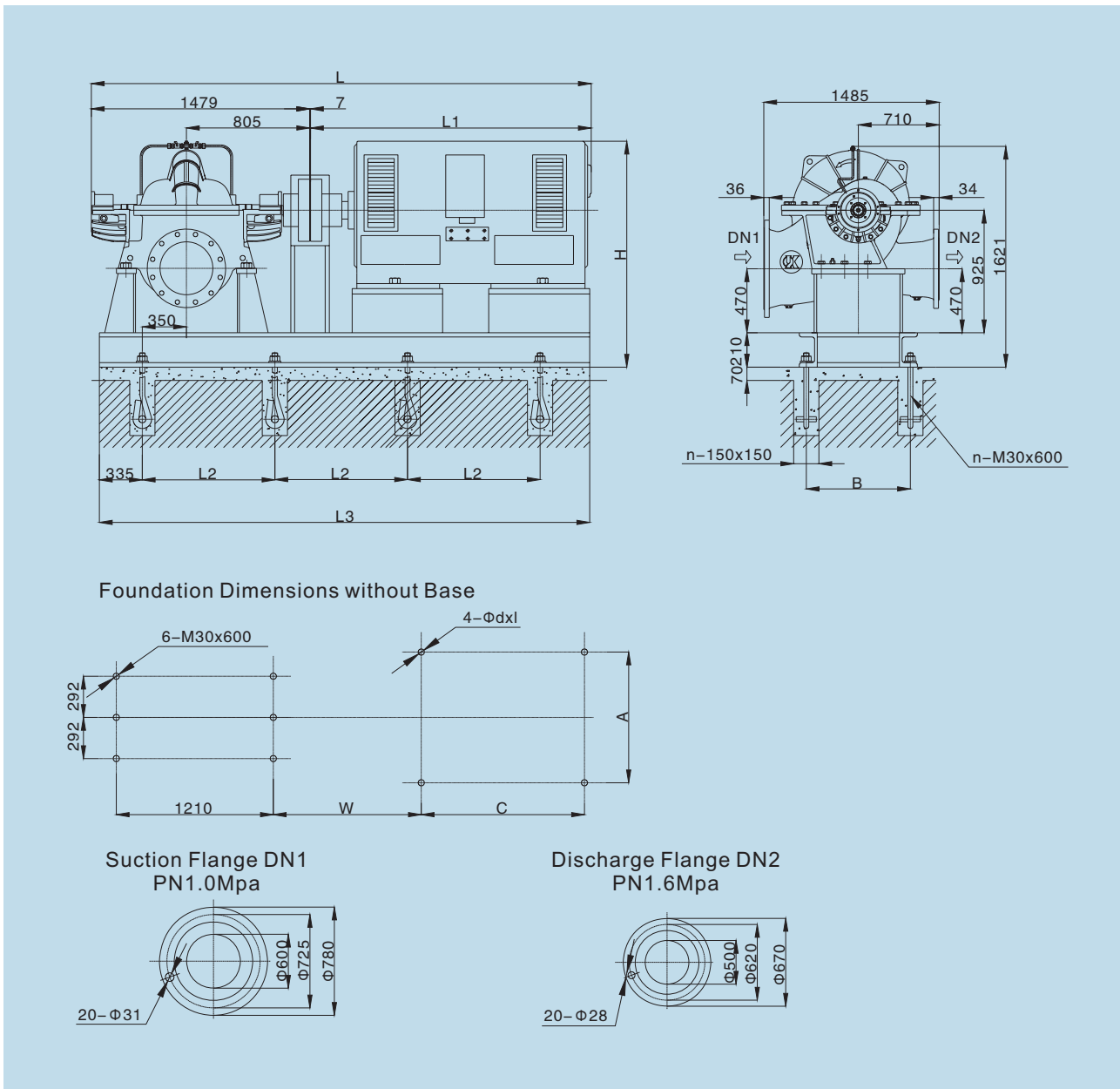
KQSN600-M20S



KQSN600-M20SJ



Model	Standard (mm)	Capacity		Head (m)	Speed (r/min)	Power (kW)		Efficiency %	(NPSH) _r (m)	Weight (kg)
		(m³/h)	(l/s)			Shaft Power	Motor Power			
KQSN600-M20S	460	2023	562.0	57	1480	373.9	560	84.0	7.6	2071
		3372	936.7	48		487.1		90.5		
		4046	1124.0	36		456.0		87.0		
	440	1936	537.7	54	1480	338.9	500	84.0	7.4	2066
		3226	896.1	44		427.1		90.5		
		3871	1075.3	32		387.8		87.0		
	425	1870	519.3	50	1480	297.7	450	85.5	7.2	2061
		3116	865.6	41		386.6		90.0		
	395	1804	501.0	46	1480	272.2	400	83.0	7.0	2056
		3006	835.0	38		349.5		89.0		
3607		1002.0	25	285.6		86.0				
KQSN600-M20SJ	460	1361	378.2	25	990	111.7	160	83.0	4.7	2071
		2269	630.3	21		143.4		90.5		
		2723	756.3	17		144.9		87.0		
	440	1302	361.7	24	990	101.3	160	84.0	4.5	2066
		2170	602.8	19		125.5		89.5		
		2604	723.3	16		128.9		88.0		
	425	1258	349.5	23	990	92.7	160	85.0	4.3	2061
		2097	582.5	18		115.5		89.0		
	395	1214	337.2	21	990	81.7	132	85.0	4.2	2056
		2023	561.9	17		106.4		88.0		
2428		674.3	14	106.4		87.0				
395	1169	324.8	19	990	72.0	110	84.0	4.1	2051	
	1949	541.4	15		90.5		88.0			
	2339	649.7	13		91.5		87.0			

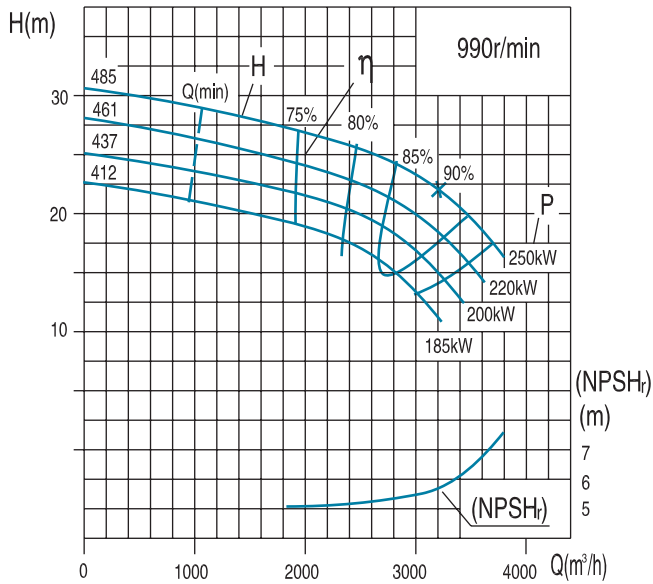


Model	Motor				Dimension (mm)									Weight (kg)		The number of anchor bolts	
	Model	Voltage	Class	Power (kW)	L	L1	L2	L3	B	H	W	A	C	dxl	Motor	Baseplate	n
KQSN600-M20S	YKK400-4	6k	III/II	400/450	3656	2170	650	3220	920	2225	752	710	1000	M30X600	3060	900	10
	YKK450-4	6k	III/II	500/560	3806	2320	700	3400	950	2345	772	800	1120	M30X600	4560	990	10
	YKK450-4	10k	III/II	400/450	3836	2350	700	3400	950	2450	772	800	1120	M30X600	4490	990	10
	YKK500-4	10k	III/II	500/560	3986	2500	750	3650	1020	2735	892	900	1250	M36X600	5660	1050	10
KQSN600-M20SJ	YE3-315L1-6	380	III/II	110	2923	1437	620	2520	750	1678	593	508	508	M24X500	1211	650	8
	YE3-315L2-6	380	III/II	132	2923	1437	620	2520	750	1678	593	508	508	M24X500	1239	650	8
	YE3-355M-6	380	III/II	160	2977	1491	650	2610	780	1728	631	610	560	M24X500	1645	700	8

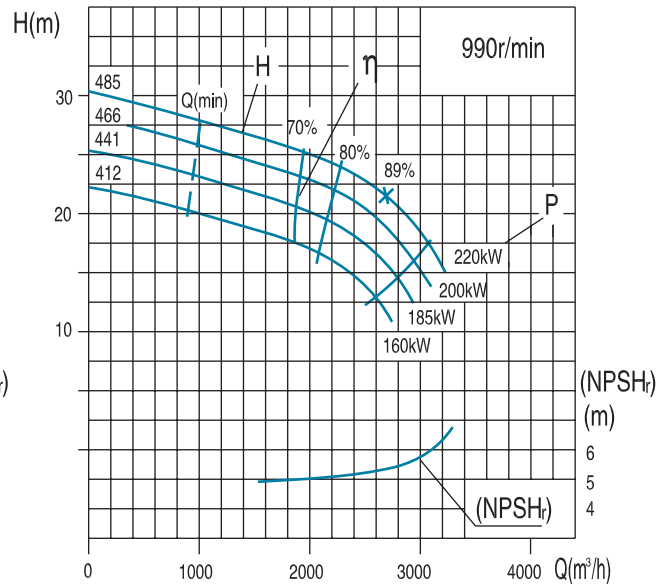
Note: Protection Class I, II, III respectively represent IP23, IP44, IP 54

KQSN600- M(N)27 Technical Data

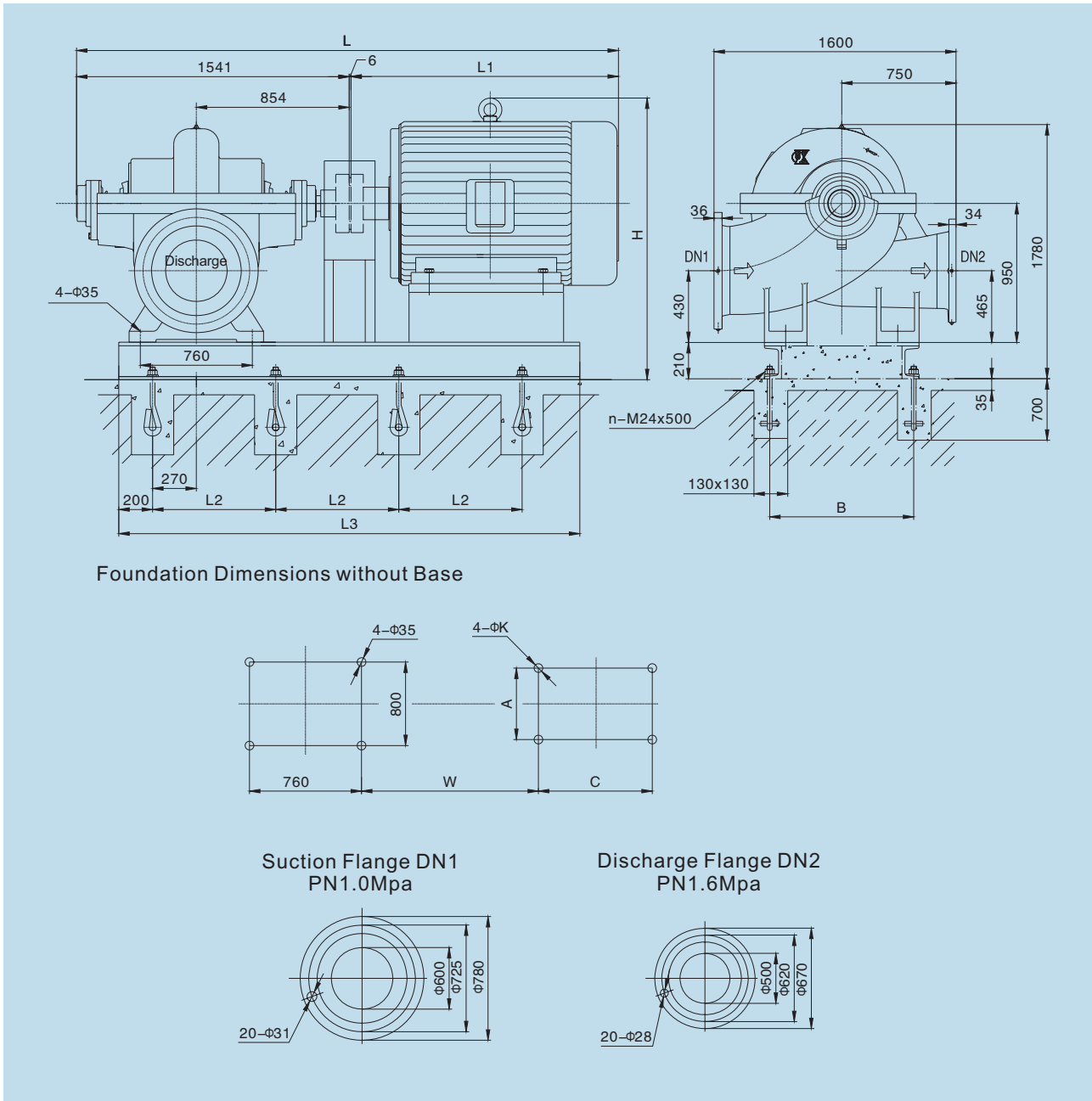
KQSN600-M27



KQSN600-N27



Model	Standard (mm)	Capacity		Head (m)	Speed (r/min)	Power (kW)		Efficiency %	(NPSH) _r (m)	Weight (kg)
		(m ³ /h)	(l/s)			Shaft Power	Motor Power			
KQSN600-M27	485	1930	528.3	27	990	191.1	250	75	5.7	2506
		3216	880.0	22		216.3		90		
		3859	1056.7	15		199.1		80		
	461	1830	501.9	25	990	165.8	220	74	5.6	2504
		3050	836.5	20		187.2		89		
	437	3660	1003.8	14	990	172.6	200	79	5.5	2502
		1740	475.5	22		143.4		73		
	412	2900	792.5	18	990	161.6	185	88	5.4	2500
3480		951.0	12	149.2		78				
KQSN600-N27	485	1650	449.1	20	990	123.0	160	72	5.3	2499
		2750	748.5	16		138.2		87		
		3300	898.2	11		127.8		77		
	466	1614	448.3	26	990	171.9	220	68	5.6	2505
		2690	747.2	22		177.1		89		
		3228	896.7	15		164.8		79		
	441	1549	430.4	24	990	154.4	200	67	5.5	2503
		2582	717.3	20		158.4		88		
412	3099	860.8	14	990	147.7	185	78	5.4	2501	
	1469	408.0	22		133.5		66			
412	2448	680.0	18	990	136.5	160	87	5.3	2499	
	2937	816.0	12		127.4		77			
412	1372	381.0	19	990	110.4	160	65	5.3	2499	
	2286	635.0	16		112.5		86			
412	2743	762.0	11	990	105.2	160	76	5.3	2499	
	1372	381.0	19		110.4		65			



Model	Motor				Dimension (mm)									Weight (kg)		The number of anchor bolts n	
	Model	Voltage	Class	Power (kW)	L	L1	L2	L3	B	H	W	A	C	K	Motor		Baseplate
KQSN600-M27/N27	Y355M-6	380	I	250/220	3167	1620	700	2650	960	1925	944	610	560	28	1610	600	8
	Y355M-6	380	I	200/185	3167	1620	700	2650	960	1925	944	610	560	28	1450	600	8
	Y315M-6	380	I	160/132	2817	1270	650	2360	960	1775	866	508	457	28	1050	597	8
	Y355-6	6000	I/II	250~200	3437	1890	860	3030	960	1975	1005	630	900	28	1930	630	8
	Y450-6	10000	I/II	250~200	3597	2050	720	3300	960	1660	1045	800	1120	35	2850	645	10
	Y355L-6	380	III/II	250/220	3116	1570	700	2650	960	1845	904	610	630	28	1820	600	8
	Y355M ₃ -6	380	III/II	200	3116	1570	700	2650	960	1845	904	610	560	28	1800	600	8
	Y355M-6	380	III/II	185/160	3116	1570	700	2650	960	1845	904	610	560	28	1730	600	8
Y315L2-6	380	III/II	132	2886	1340	650	2650	960	1720	866	508	508	28	1175	597	8	

Note: Protection Class I, II, III respectively represent IP23, IP44, IP54

KQSN Flange Data

No.	Model	Suction flange DN	Pressure Mpa	Discharge flange DN	Pressure Mpa
1	KQSN150-M4	150	1.0	100	1.0
2	KQSN150-M6	150	1.0	100	1.0
3	KQSN150-M7	150	1.0	100	1.0
4	KQSN200-M4	200	1.0	125	2.5
5	KQSN200-M5	200	1.0	125	2.5
6	KQSN200-M6	200	1.0	150	1.0
7	KQSN200-M8	200	1.0	125	1.6
8	KQSN200-M9	200	1.0	150	1.0
9	KQSN200-M12	200	1.0	150	1.0
10	KQSN250-M4	250	1.0	150	1.6
11	KQSN250-M6	250	1.0	150	1.0
12	KQSN250-M9	250	1.0	200	1.0
13	KQSN300-M3	300	1.0	200	2.5
14	KQSN300-M4	300	1.0	200	1.6
15	KQSN300-M6	300	1.0	200	1.0
16	KQSN300-M6W	300	1.0	200	1.6
17	KQSN300-M9	300	1.0	250	1.0
18	KQSN300-M9W	300	1.6	200	1.6
19	KQSN300-M13	300	1.0	250	1.0
20	KQSN300-M13W	300	1.6	250	1.6
21	KQSN300-M19	300	1.0	250	1.0
22	KQSN300-M27	300	1.0	300	1.0
23	KQSN350-M4	350	1.0	250	2.5
24	KQSN350-M6	350	1.0	200	1.6
25	KQSN350-M9	350	1.0	250	1.0
26	KQSN350-M12S	350	1.0	300	1.6
27	KQSN350-M13	350	1.0	300	1.0
28	KQSN350-M17S	350	1.0	300	1.0
29	KQSN350-M20S	350	1.0	300	1.0
30	KQSN350-M27	350	1.0	350	1.0
31	KQSN400-M4	400	1.0	300	2.5

No.	Model	Suction flange DN	Pressure Mpa	Discharge flange DN	Pressure Mpa
32	KQSN400-M6W	400	1.6	300	2.5
33	KQSN400-M9W	400	1.6	300	1.6
34	KQSN400-M13W	400	1.6	300	1.6
35	KQSN400-M17S	400	1.0	350	1.0
36	KQSN400-M19W	400	1.6	350	1.6
37	KQSN450-M6	450	1.0	350	2.5
38	KQSN450-M8W	450	1.6	350	2.5
39	KQSN450-M12W	450	1.6	350	1.6
40	KQSN450-M18W	450	1.6	350	1.6
41	KQSN500-M6	500	1.0	300	1.6
42	KQSN500-M6W	500	1.6	400	1.6
43	KQSN500-M9	500	1.0	350	1.0
44	KQSN500-M11W	500	1.6	400	1.6
45	KQSN500-M12S	500	1.0	400	1.0
46	KQSN500-M13	500	1.0	350	1.0
47	KQSN500-M17S	500	1.0	400	1.0
48	KQSN500-M19	500	1.0	400	1.0
49	KQSN500-M20S	500	1.6	400	1.0
50	KQSN500-M28	500	1.0	500	1.0
51	KQSN600-M6	600	1.0	450	1.6
52	KQSN600-M8	600	1.0	500	2.5
53	KQSN600-M9	600	1.0	400	1.0
54	KQSN600-M10	600	1.0	500	1.0
55	KQSN600-M12S	600	1.6	500	1.6
56	KQSN600-M13	600	1.0	400	1.0
57	KQSN600-M14	600	1.0	500	1.0
58	KQSN600-M17S	600	1.0	500	1.0
59	KQSN600-M19	600	1.0	500	1.0
60	KQSN600-M20S	600	1.0	500	1.0
61	KQSN600-M27	600	1.0	500	1.0

Comparative Table of Similar Domestic/Foreign Pump Models and KQSN-S/W Pumps

No.	Model	KSB	Grundfos	Sulzer	KP	SA	S	SS	OW
1	KQSN150-M4	80-270	HS150-125-380						OW
2	KQSN150-M6	80-210			KP80-100	6SA-6A	150S78	6-150/2	
3	KQSN150-M7	100-310			KP140-150				
4	KQSN200-M4	100-310							SLO100-320(I)
5	KQSN200-M5	100-310							
6	KQSN200-M6	100-250	771583			8SA-7	200S98		OW125-450
7	KQSN200-M8	125-290	HS200-150-480						
8	KQSN200-M9	100-250	772678	SM126-250		8SA-10	200S65	10-200/2	OW250-520A
9	KQSN200-M12	125-230							
10	KQSN250-M4	125-290		SM151-250					
11	KQSN250-M6	200-520		SM201-250					OW250-520A
12	KQSN250-M9	125-230	HSS300-250-680	SM202-450		12SA-10	300S42		
13	KQSN300-M3		HSS250-200-580						
14	KQSN300-M4	200-670	HSS250-200-580					4-300/4	OW300-740
15	KQSN300-M6	200-520	1024-3/4	202-500	KP90-200			6-300/4	
16	KQSW300-M6	250-600	1020-3/4					6-350/4	OW300-520
17	KQSN300-M9	200-520						8-300/4	OW250-600
18	KQSW300-M9	250-600	2234192		KP75-250			9-350/4	
19	KQSN300-M13	200-420	2233522		KP30-250			9-300/6	OW350-520
20	KQSW300-M13	250-180	HSS300-250-420	SM302-360	KP35-300	14SA-10B	350S42	14-300/4	OW300-350
21	KQSN300-M19	200-320		302-280	KP20-250				OW250-390(I)
22	KQSN300-M27		1213-1/2		KP10-300			27-300/4	
23	KQSN350-M4		HS300-250-680					4-350/4	
24	KQSN350-M6	250-600							OW250-820
25	KQSN350-M9	250-600							
26	KQSS350-M12	250-370							
27	KQSN350-M13	250-480							
28	KQSS350-M17	250-370	1220-5/6	SM302-360	KP25-300	14SA-20	350S32	18-350/4	
29	KQSN350-M27	300-300	HS350-350-390		KP20-350				
30	KQSS350-M20	300-560							
31	KQSN400-M4								
32	KQSW400-M6	300-700		SW303-800					
33	KQSW400-M9	300-560							
34	KQSW400-M13	300-435							
35	KQSS400-M17		1415-1/2	SM302-320	KP35-350	20SA-20	500S22A	12-500/6	
36	KQSW400-M19	350-360							
37	KQSN450-M6								
38	KQSW450-M18	350-430			KP20-600	24SA-14	600S48		
39	KQSW450-M8	350-690							OW350-440(I)
40	KQSW450-M12	350-510							
41	KQSN500-M6	300-560		SM402-850		20SA-6	500S98	7-500/6	
42	KQSW500-M6	400-935		SM402-850				13-600/4	
43	KQSN500-M9	300-435	HS350-300-480	SM302-450		20SA-6	500S62		
44	KQSW500-M11	400-540	1220-7/8			20SA-10	500S86	12-500/4	OW400-550
45	KQSS500-M12	400-540	1220-7/8					12-500/4	OW400-550(I)A
46	KQSN500-M13	350-360	HS450-350-540	SM402-570j		200SA14	500S35	13-500/9	OW400-440
47	KQSS500-M17	R500-700B1	1617-1/2	SM401-450	KP115-500	20SA-14	500S49	19-600/4	
48	KQSN500-M19	350-360	1617-3/4	SM501-450j	KP20-400	20SA-14A	500S23A	30-400/4	OW500-660
49	KQSS500-M20		1615-1/2		KP50-500	20SA-22A	500S22A	19-600/4	
50	KQSN500-M28	350-360			KP10-500	20SA-22A	500S14A	27-500/6	
51	KQSN600-M6								OW500-520
52	KQSN600-M8	R500-890							
53	KQSN600-M9	R500-700A						45115	
54	KQSN600-M10	R500-790		SM502-800					
55	KQSS600-M12	R500-890A			KP115-500			12-600/4	
56	KQSN600-M13	R500-640A		SM501-570j	KP50-500			13-700/6	OW500-860(I)
57	KQSN600-M14	500-640A1		SM501-450	KP20-600				
58	KQSS600-M17	R500-700A	2025/1/2	SM501-570				12-700/6	OW600-860(I)A
59	KQSN600-M19	R500-510A		SM501-500j				22-600/6	OW600-860
60	KQSS600-M20	R500-685	HSS450-350-440			24SA-14/6P			OW600-630A
61	KQSN600-M27	350-430	HSS450-350-440	SM501-500		24SA-18A			OW600-720A

Reference Table of KQSN Spare Parts

In order to guarantee long-term pump operation, there is a list of spare parts for 2-year usage. Maintaining a reasonable quantity of spare parts helps to make their change convenient at any time.

Name of spare parts	Number of installed pumps (including spare pumps)						
	2	3	4	5	6	8	≥ 10
	Quantity of spare parts						
Impeller	1	1	2	2	3	3	30%
Double-Suction Sealing Ring	4	4	4	6	6	8	50%x2
Washers, Stop Collars and Round Nuts	1	1	2	2	3	3	30%
Deep Groove Ball Bearings	2	3	4	5	6	8	50%x2
Bearing Inserts	1	1	2	2	3	3	30%
Shaft Sleeve	4	4	5	6	6	8	50%x2
Mechanical Seal	4	6	8	8	9	12	75%x2
Packing	30	30	40	50	60	80	50%x2
Packing Gland	3	3	4	5	6	8	40%x2
Packing Ring	3	3	4	5	6	8	40%x2
O-type Rings of Sealing Body	4	6	7	8	9	12	60%x2
O-type Rings of Shaft Sleeves	3	3	4	5	6	8	50%x2
Fishpaper	4	4	5	6	7	8	100%

Assurance, Testing and Quality Control

Shanghai Kaiquan implements a strict round of testing and quality assurance with each and every product. Products reach customers fully tested and quality assured. Pump testing can be carried out in accordance to ISO9906 Gr.2、DIN1944/III、GB3216C and other international standards.

The quality of KQSN pumps is guaranteed with a Quality System Certificate, which conforms to DIN ISO9001/EN29001 standards.

www.kaiquangroup.com

SHANGHAI KAIQUAN PUMP (GROUP) CO., LTD.

Address : No.4255 Caoan Road.Shanghai Post Code: 201804 Service Center: +86-21-6959 3241
Overseas Department: +86-21-5651 4775 E-mail: Trading@kaiquan.com.cn

