



### 3th Generation KQDP/KQDQ Series Multi-stage Pump



#### High efficiency, Energy saving

The pump has excellent performance and high efficiency, the efficiency index reaches the international advanced level, and the energy efficiency index reaches MEI 0.7, which is far higher than the national energy saving standard and has passed the national pump energy saving certification.



#### Corrosion resistance, Long life

A new industrial and hydraulic design method is adopted and the finite element strength analysis is carried out. The stainless steel castings are formed by silicon melt precision casting with high dimensional precision. Cast iron parts are made of iron ore and coated with electrophoretic paint.



#### High efficiency, Energy saving

The shell is made of stainless steel plate, the outer surface is polished, clean and beautiful, with modern flavor.



#### High efficiency, Energy saving

Parts made of stainless steel plate, green environmental protection, will not cause secondary pollution of water, in line with the requirements of health standards.

# Content

01	Product profile	03	Position of the motor connection box
01	Product feature	04	Structure chart
01	Typical application	12	KQDP32-4/KQDQ32-4 Technical parameters
01	Working conditions	16	KQDP32-5/KQDQ32-5 Technical parameters
01	Specification	20	KQDP40-8/KQDQ40-8 Technical parameters
02	Motor	23	KQDP40-10/KQDQ40-10 Technical parameters
02	Suction flange	26	KQDP50-12/KQDQ50-12 Technical parameters
02	Maximum suction height	29	KQDP50-15/KQDQ50-15 Technical parameters
03	Maximum ambient temperature and altitude	32	KQDP50-16/KQDQ50-16 Technical parameters
03	Shaft seal	35	KQDP50-20/KQDQ50-20 Technical parameters
03	Material	38	KQDP65-32/KQDQ65-32 Technical parameters
03	Pump steering	41	Mounting base size

## Product profile

The third-generation KQDP/KQDQ light vertical multi-stage centrifugal pump is based on the concept of energy saving, environmental protection, safety and reliability, adopting a new industrial and hydraulic design method, and the latest independent research and development of a new generation of products. The product is suitable for different temperature, flow and pressure ranges. It can transport various media from tap water to industrial liquid. It is widely used in water supply, industrial pressurization, industrial liquid transportation, heating supply, irrigation and water treatment, The KQDQ can also be used in the fields of beverages, medicine and etc.. KQDP is suitable for non-corrosive liquids and KQDQ is suitable for mildly corrosive liquids.

This product complies with GB/T 5657-2013 "Technical Conditions for Centrifugal Pumps (III)".

## Product feature



**High efficiency, energy saving, green and environmental protection:** the efficiency index has reached the international leading level, and the energy efficiency index has reached  $MEI \geq 0.7$ .



**Compact, safe and reliable:** under the same flow head parameters, the pump has lower height, less vibration, lower noise, smaller footprint and lighter weight.



**Durable and easy to repair:** It adopts special configuration of cartridge mechanical seal to ensure smooth operation and no leakage in slight vibration and impact environment. At the same time, the machine seal position is designed with sufficient disassembly and assembly space, and the maintenance is convenient. When the machine seal is replaced, there is no need to disassemble the pump.

## Typical application



Water supply: secondary water supply for high-rise buildings, filtration, transportation, supercharged water

Industrial pressure: cleaning system, process water system, high pressure flushing system, fire fighting system

Industrial liquid transport: boiler feed water, condensing system, machine tool components

Heating supply: air conditioning system

Irrigation: farmland irrigation, sprinkler irrigation, drip irrigation

Water treatment: swimming pool, distillation system, etc.

## Working conditions



Liquid: Clean, thin, non-flammable, explosive and free of particles and fibers or liquids with physicochemical properties similar to water

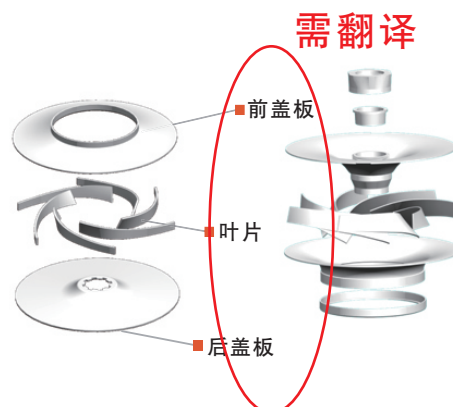
Liquid temperature:  $-20\text{ }^{\circ}\text{C}$  to  $+105\text{ }^{\circ}\text{C}$

Ambient temperature: max.  $+40\text{ }^{\circ}\text{C}$

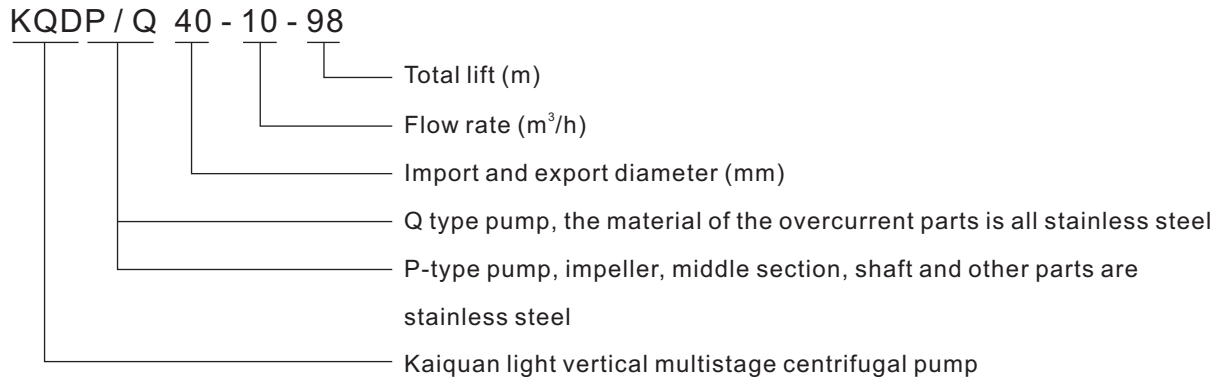
Altitude: height less than 1000m

Maximum operating pressure: KQDP, KQDQ type suction pressure + pump maximum pressure  $\leq 2.5\text{Mpa}$  and inlet pressure  $\leq 1.0\text{Mpa}$

Note: Please consult the technical department of the company if the temperature is higher than  $70\text{ }^{\circ}\text{C}$  or other special conditions.



## Specification



### Motor

Fully enclosed self-cooling squirrel-cage high-efficiency three-phase asynchronous motor, which is 2%~10% more efficient than ordinary motors. Motor bearings are equipped with SKF or NSK bearings.

Standard voltage: 3×380-415V Frequency: 50Hz

Protection level: Ip55

Insulation class: F

Installation form: B14 or V1

Note: Outdoor type, plateau type, explosion-proof motor, thermal protection and other special motor, the order will be explained separately

The matching motor is the national standard energy efficiency level 2 or 3, and is configured according to customer requirements.

### Suction and ischarge flange

The KQDP32 and 40 are equipped with an oval flange as standard. The factory is equipped with a pair of cast iron elliptical flanges (thread joints) and optional round flange connection.

KQDQ32 comes standard with external pipe thread connection, optional bayonet type and flange connection.

The KQDQ40 comes standard with a round flange and an optional bayonet coupling.

KQDP/Q50 and 65 are equipped with round flanges, of which KQDQ50 can be connected by bayonet.

Special note: 1. Elliptical flange connection withstand voltage rating of 1.6Mpa and below, greater than 1.6Mpa, please use round flange connection;

2. All standard flanges are designed according to GB/T17241.6-2008, and the pressure rating is PN 2.5 Mpa;

3. Paired flanges and pipe clamps for pipe connection, which must be ordered separately.

### Maximum suction height

When using the user, the influence of various factors on the use should be considered. The maximum suction height H should be lower than the calculated value (negative value is reversed). Otherwise, the pump will not work properly.

$$H = P_b \times 10.2 - NPSH - H_f - H_v - H_s$$

$P_b$  = local atmospheric pressure bar (sea level 1 bar) In a closed system,  $P_b$  is the system pressure bar

$NPSH$  = NPSH m  $H_f$  = inlet line loss m

$H_v$  = liquid saturated vapor pressure m  $H_s$  = safety margin  $\geq 0.5$  m

Example: Assume atmospheric pressure  $P_b = 1$  bar, pump NPSH  $NPSH = 2$  m, suction line loss  $H_f = 2.2$  m

(1) When the liquid temperature is 20 °C, the saturated vapor pressure  $H_v = 0.23$  m

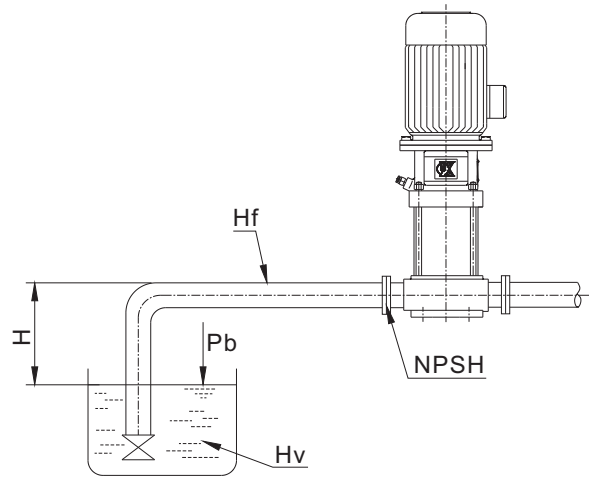
$$H = 1 \times 10.2 - 2 - 2.2 - 0.23 - 0.5 = 5.27 \text{ m (the larger the positive value, the less likely it is to cavitation)}$$

(2) When the liquid temperature is 85 °C, the saturated vapor pressure  $H_v = 5.89$  m

$$H = 1 \times 10.2 - 2 - 2.2 - 5.89 - 0.5 = -0.39 \text{ m (negative value means the pump needs to be poured, the inlet is pressurized)}$$

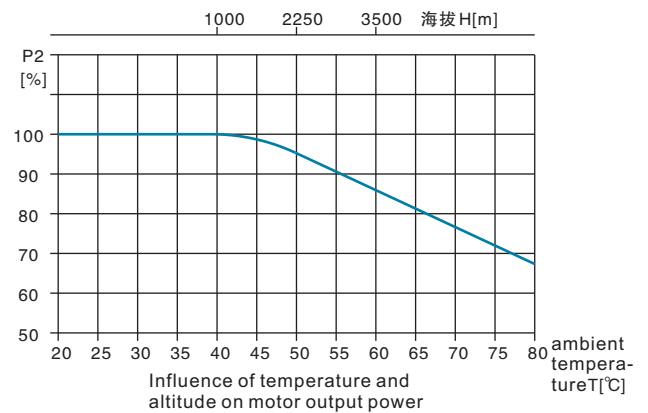
The temperature of the liquid delivered by the pump is inconsistent. When the other conditions of use of the pump are the same, the suction height is also different.

Water physical properties			
water temperature T/°C	Saturated vapor pressure Hv/m	Water temperature T/°C	saturated vapor pressure Hv/m
5	0.09	90	7.15
10	0.13	95	8.62
20	0.23	100	10.33
30	0.43	105	12.32
40	0.75	110	14.61
50	1.26	115	17.24
60	2.03	120	20.25
70	3.18	125	23.67
80	4.83	130	27.55
85	5.89	135	31.92



### Maximum ambient temperature and altitude

When the pump is operated under ambient temperature higher than 40 °C or altitude more than 1000 m, the motor output power P2 will be reduced due to low air density and poor cooling effect. Therefore, the power of the pump with the motor needs to be increased (see the following figure for details).



### Shaft seal

Mechanical seal: Cartridge-style maintenance-free mechanical seal for easy maintenance

Basic configuration: The rubber material is fluoro rubber, and the dynamic and static rings are made of hard alloy. The graphite is resistant to slight vibration and impact, which is more reliable.

### Material

KQDQ type overcurrent parts are all 304, motor bracket is QT  
 KQDP type impeller, middle section over-current part is 304, inlet and outlet section, bracket is HT

### Water pump steering

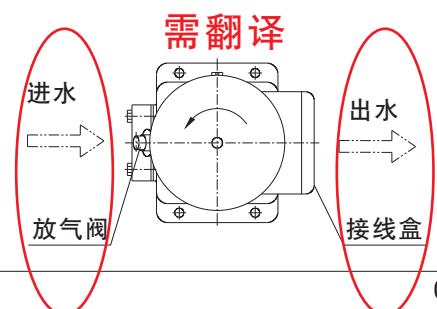
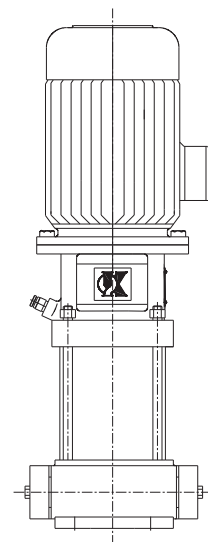
KQDP and KQDQ are rotated counterclockwise from the driver side (see the figure on the right)

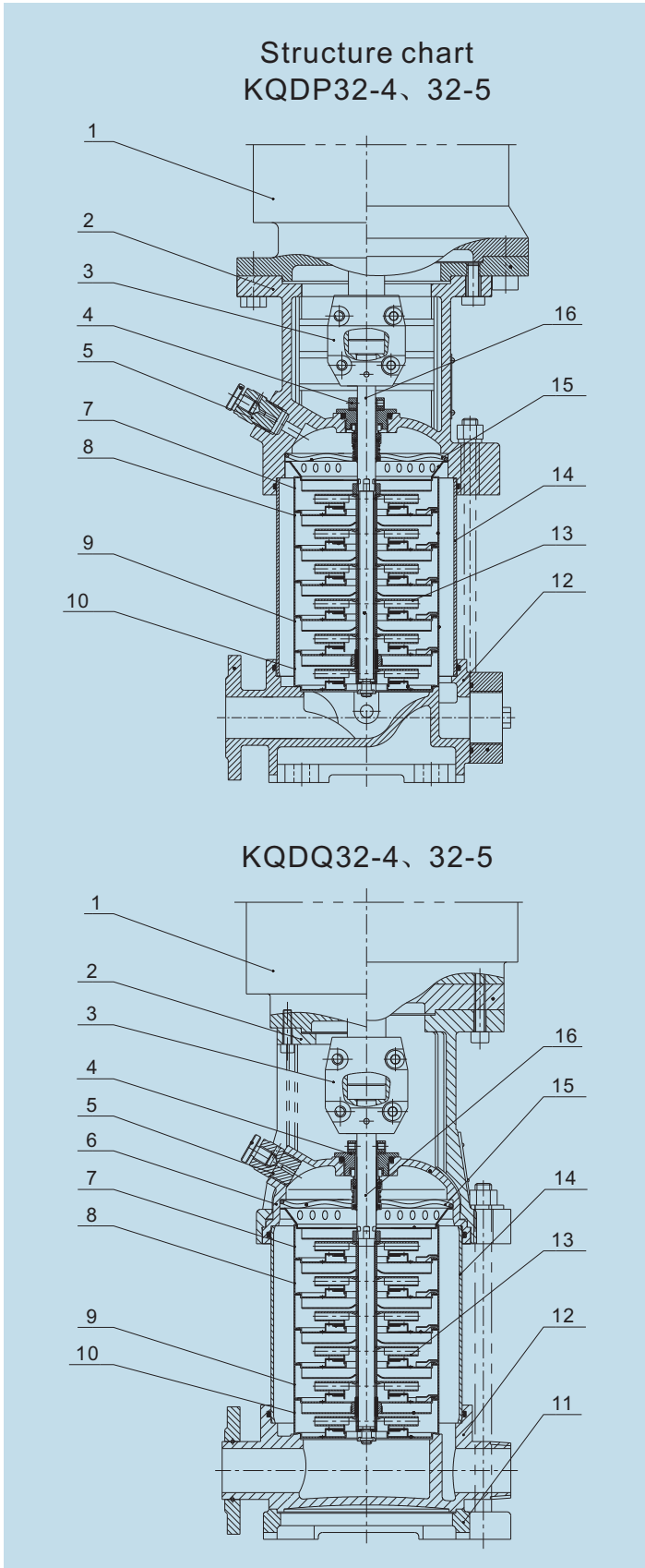
### Motor junction box

KQDP, KQDQ See from the motor end, the junction box is on the water outlet side

Remark: The installation position of the junction box can be replaced. If there is any demand, please indicate in the order information.

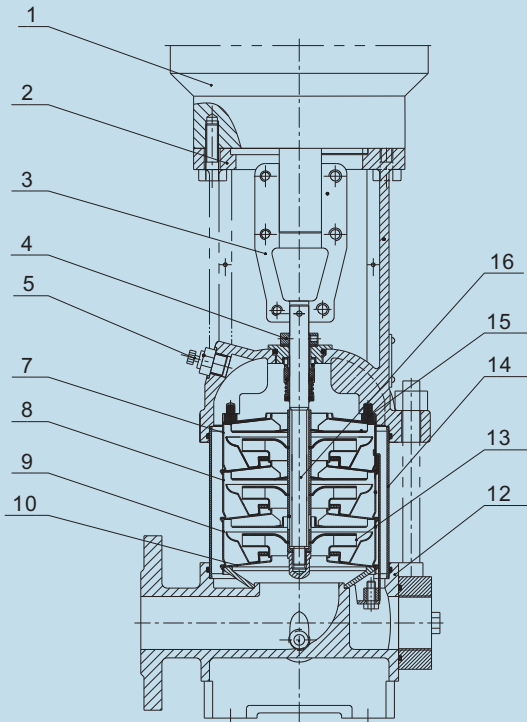
KQDP, KQDQ



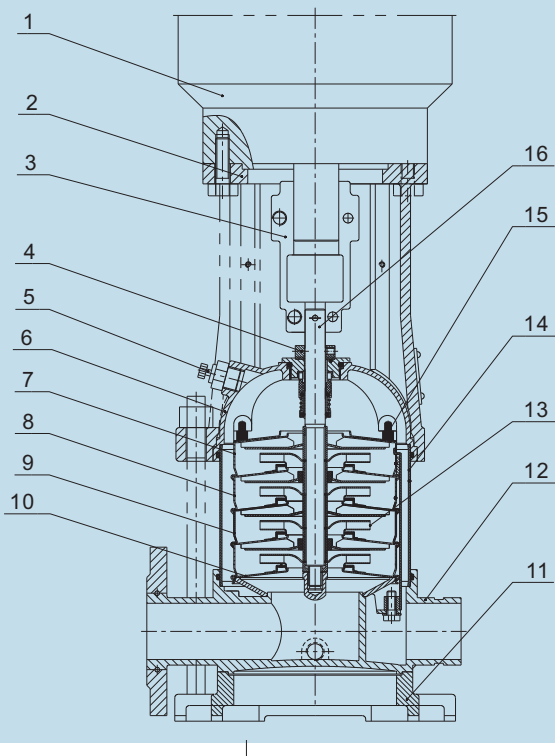
**Structure chart**

**Materiallist  
KQDP/Q32-4、32-5**

No.	Name	Material	AISI/ASTM
1	Motor		
2	Support	Castiron	ASTM25B
3	Clamped coupling	Powder metallurgy	
4	Modular mechanical seals	SIC/C/FPM	
5	Deflation valve		
7	Discharge middle-stage	Stainless steel	A ISI304
8	Middle-stage	Stainless steel	A ISI304
9	Bearing middle-stage	Stainless steel	A ISI304
10	Inflow middle-stage	Stainless steel	A ISI304
13	Impeller	Stainless steel	A ISI304
14	Outer shell	Stainless steel	A ISI304
15	Elastic ring	Stainless steel	A ISI304
16	Shaft	Stainless steel	A ISI304
<b>KQDP</b>			
12	Inflow discharge stage	Cast iron	ASTM25B
<b>KQDQ</b>			
6	Pump cover	Stainless steel	A ISI304
11	Baseboard	Cast iron	ASTM25B
12	Inflow discharge stage	Stainless steel	A ISI304

Structure chart  
KQDP40-8、40-10、50-12



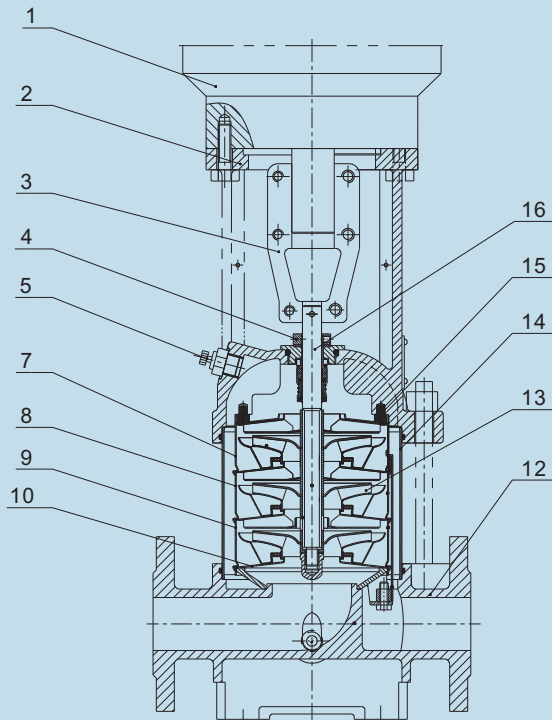
KQDQ40-8、40-10、50-12



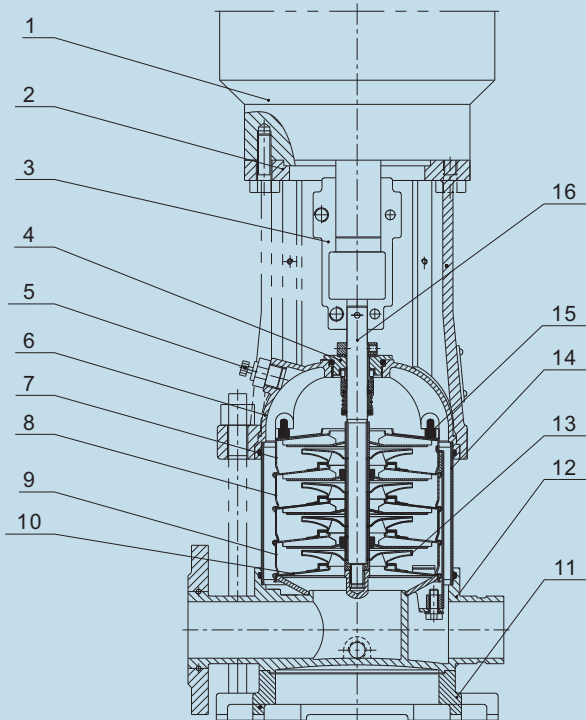
Material list  
KQDP/Q40-8、40-10、50-12

No.	Name	Material	AISI/ASTM
1	Motor		
2	Support	Cast iron	ASTM25B
3	Clamped coupling	Powder metallurgy /ductile iron	
4	Modular mechanical seals	SIC/C/FPM	
5	Deflation valve	Stainless steel	AISI304
7	Discharge middle-stage	Stainless steel	AISI304
8	Middle-stage	Stainless steel	AISI304
9	Bearing middle-stage	Stainless steel	AISI304
10	Inflow middle-stage	Stainless steel	AISI304
13	Impeller	Stainless steel	AISI304
14	Outer shell	Stainless steel	AISI304
15	Elastic ring	Stainless steel	
16	Shaft	Stainless steel	AISI304
<b>KQDP</b>			
12	Inflow discharge stage	Cast iron	ASTM25B
<b>KQDQ</b>			
6	Pump cover	Stainless steel	AISI304
11	Baseboard	Cast iron	ASTM25B
12	Inflow discharge stage	Stainless steel	AISI304

**Structure chart**  
KQDP50-15、50-16、50-20



KQDQ50-15、50-16、50-20



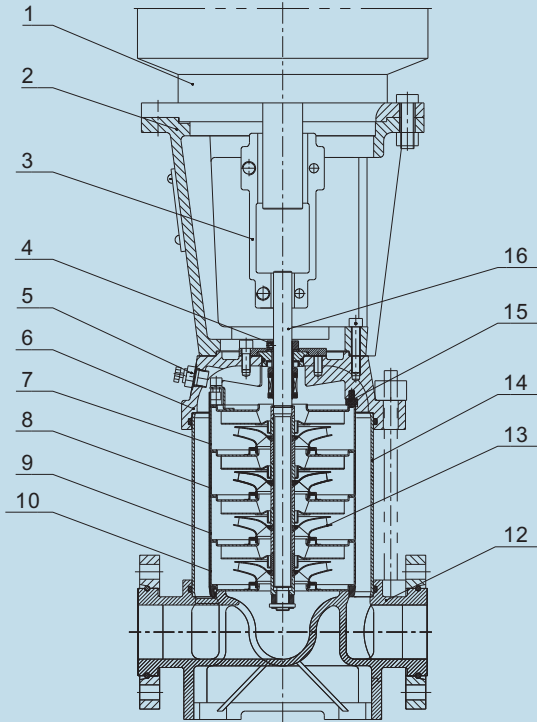
**Materiallist**

KQDP/Q50-15、50-16、50-20

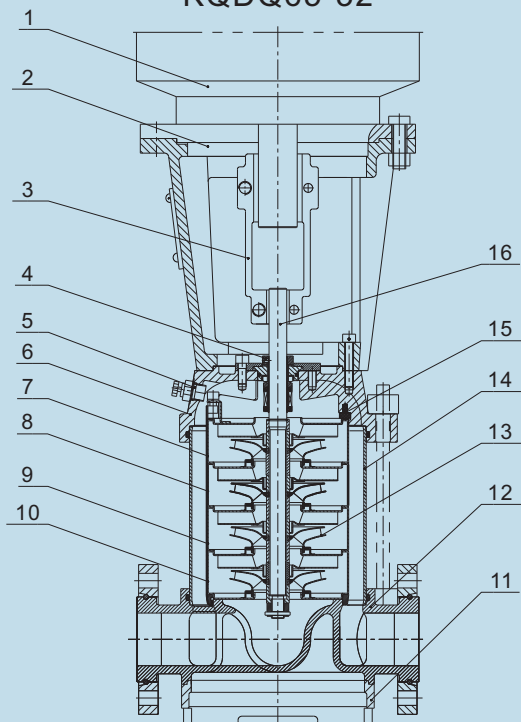
No.	Name	Material	AISI/ASTM
1	Motor		
2	Support	Cast iron	ASTM25B
3	Clamped coupling	Powder metallurgy	
4	Modular mechanical seals	SIC/C/FPM	
5	Deflation valve	Stainless steel	AISI304
7	Discharge middle-stage	Stainless steel	AISI304
8	Middle-stage	Stainless steel	AISI304
9	Bearing middle-stage	Stainless steel	AISI304
10	Inflow middle-stage	Stainless steel	AISI304
13	Impeller	Stainless steel	AISI304
14	Outer shell	Stainless steel	AISI304
15	Elastic ring	Stainless steel	
16	Shaft	Stainless steel	AISI304
<b>KQDP</b>			
12	Inflow discharge stage	Cast iron	ASTM25B
<b>KQDQ</b>			
6	Pump cover	Stainless steel	AISI304
11	Baseboard	Cast iron	ASTM25B
12	Inflow discharge stage	Stainless steel	AISI304



Structure chart  
KQDP65-32

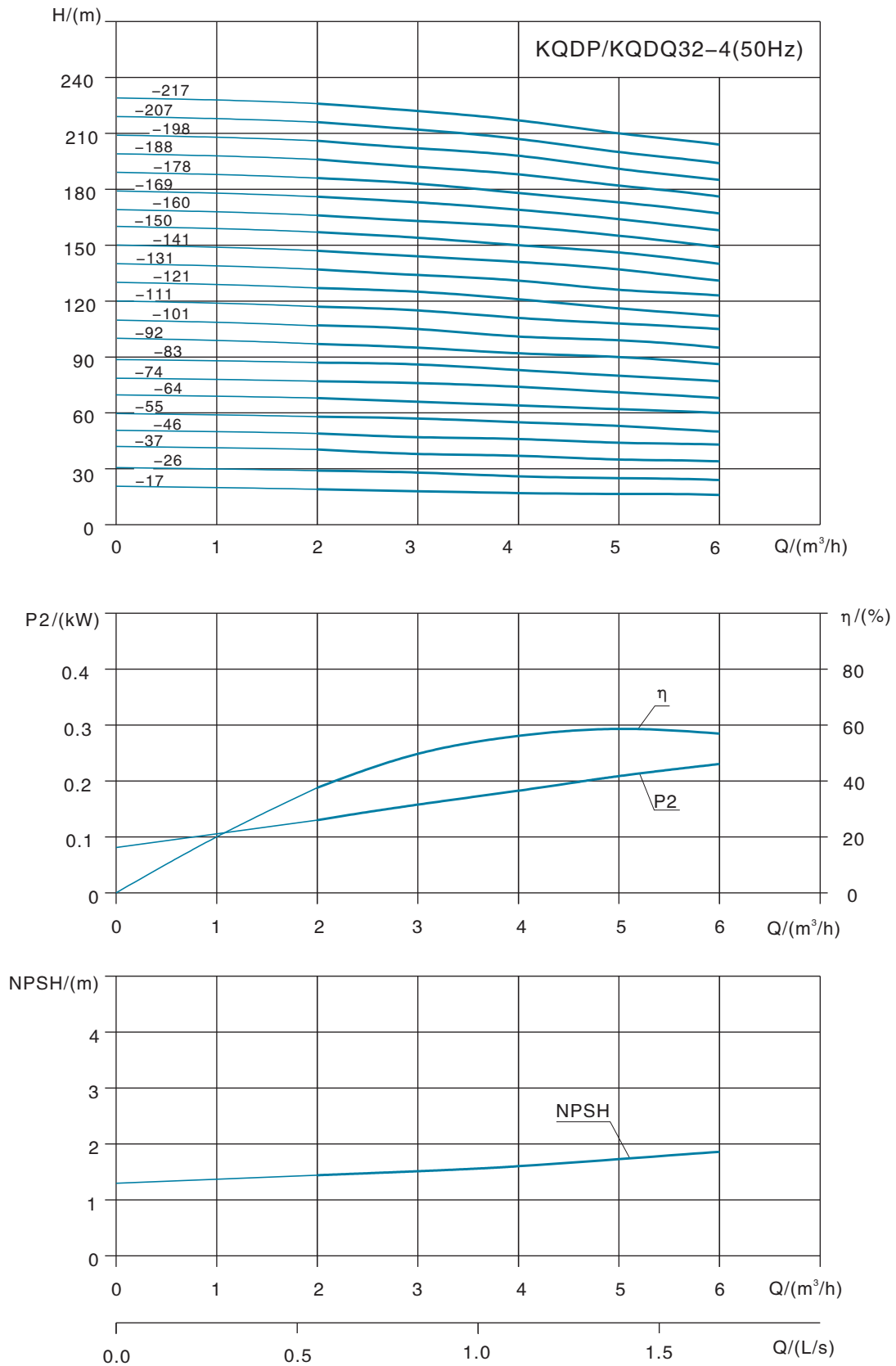


KQDQ65-32



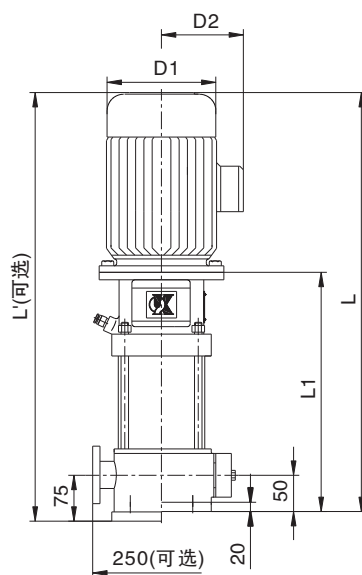
Materiallist  
KQDP/Q65-32

No.	Name	Material	AISI/ASTM
1	Motor		
2	Support	Cast iron	ASTM25B
3	Clamped coupling	Ductile iron	
4	Modular mechanical seals	SIC/C/FPM	
5	Deflation valve	Stainless steel	AISI304
7	Discharge middle-stage	Stainless steel	AISI304
8	Middle-stage	Stainless steel	AISI304
9	Bearing middle-stage	Stainless steel	AISI304
10	Inflow middle-stage	Stainless steel	AISI304
13	Impeller	Stainless steel	AISI304
14	Outer shell	Stainless steel	AISI304
15	Elastic ring	Stainless steel	
16	Shaft	Stainless steel	AISI304
<b>KQDP</b>			
6	Pump cover	Cast iron	ASTM25B
12	Inflow discharge stage	Cast iron	ASTM25B
<b>KQDQ</b>			
6	Pump cover	Stainless steel	AISI304
11	Baseboard	Cast iron	ASTM25B
12	Inflow discharge stage	Stainless steel	AISI304

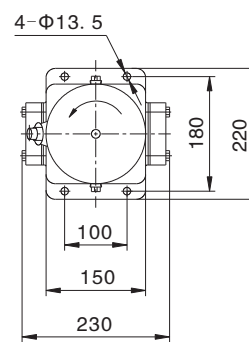
**Performance curve**


KQDP/KQDQ32-4 Performance table								
No.	Type	Motor power (kW)	Q (m <sup>3</sup> /h)	2	3	4	5	6
1	32-4-17	0.55	H (m)	19	18	17	16.5	16
2	32-4-26	0.75		29	28	26	25	23
3	32-4-37	1.1		39	38	37	35	34
4	32-4-46			49	47	46	44	42
5	32-4-55	1.5		58	57	55	53	50
6	32-4-64			68	66	64	62	59
7	32-4-74	2.2		77	76	74	71	68
8	32-4-83			87	86	83	80	75
9	32-4-92			97	95	92	90	86
10	32-4-101	3		107	105	101	99	95
11	32-4-111			117	115	111	108	105
12	32-4-121			127	125	121	117	114
13	32-4-131	4		137	134	131	126	123
14	32-4-141			147	144	141	137	131
15	32-4-150			157	154	150	146	140
16	32-4-160	5.5		166	163	160	155	149
17	32-4-169			176	173	169	164	158
18	32-4-178			186	183	178	173	167
19	32-4-188			196	192	188	182	176
20	32-4-198			206	202	198	191	185
21	32-4-207			216	212	207	200	194
22	32-4-217	226		222	217	210	202	

Installation drawing

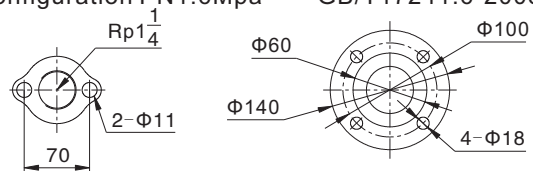


KQDP32-4

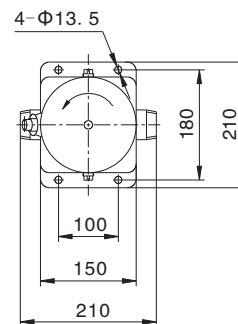
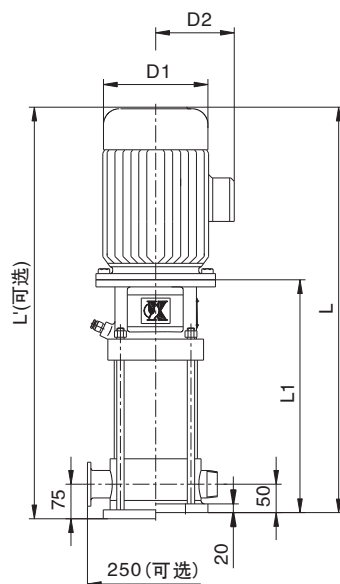


Dimensions for connection of inlet and outlet oval flanges standard configuration PN1.6Mpa

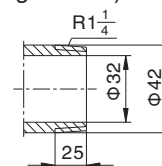
Dimensions of inlet and outlet flanges (optional) GB/T17241.6-2008 PN2.5Mpa



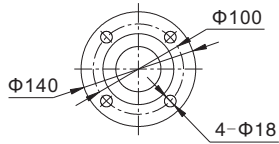
KQDP32-4 Dimension table							
No.	Type	L1	L	L'	D1	D2	Weight
	Style	(mm)	(mm)	(mm)	(mm)	(mm)	(kg)
1	32-4-17	283	503	528	135	86	21
2	32-4-26	310	565	590	148	96	25
3	32-4-37	337	592	617			26
4	32-4-46	364	619	644			27
5	32-4-55	391	691	716			166
6	32-4-64	418	718	743	33		
7	32-4-74	445	745	770	34		
8	32-4-83	472	772	797	36		
9	32-4-92	499	799	824	37		
10	32-4-101	536	861	886	191	128	47
11	32-4-111	563	888	913			48
12	32-4-121	590	915	940			49
13	32-4-131	617	972	997	212	140	51
14	32-4-141	644	999	1024			52
15	32-4-150	671	1026	1051			53
16	32-4-160	698	1053	1078			54
17	32-4-169	745	1175	1200	258	163	64
18	32-4-178	772	1202	1227			65
19	32-4-188	799	1229	1254			66
20	32-4-198	826	1256	1281			67
21	32-4-207	853	1283	1308			68
22	32-4-217	880	1310	1335			69

**Installation drawing**
**KQDQ32-4**


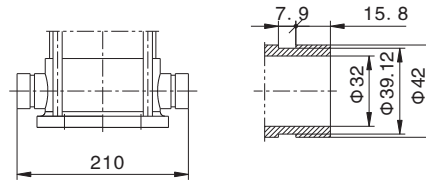
Connection dimensions for inlet and outlet threads  
(standard configuration)



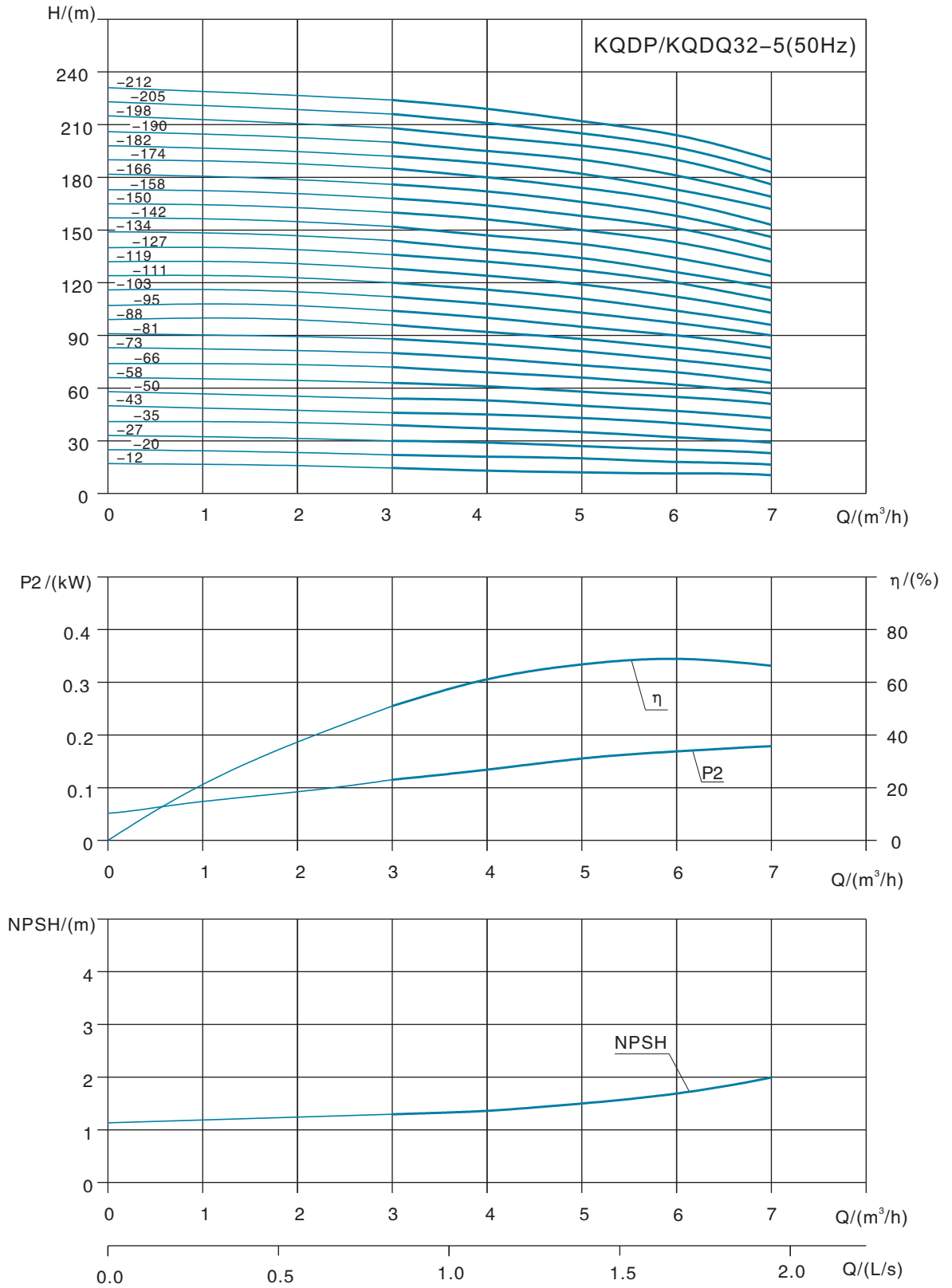
Dimensions of inlet and outlet flanges (optional)  
GB/T17241.6-2008 PN2.5Mpa



Inlet and outlet bayonet coupling size (optional)



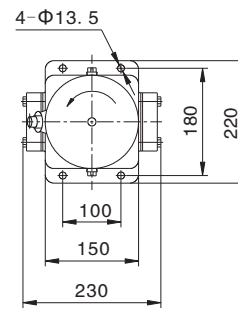
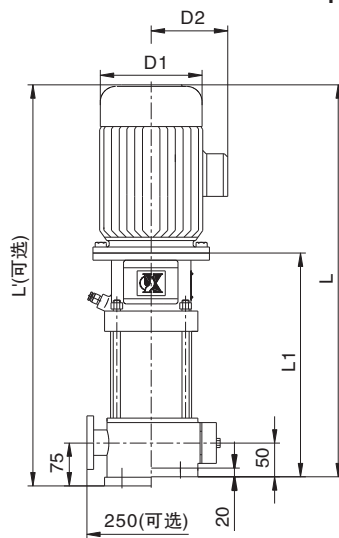
KQDQ32-4 Dimension table							
No.	Type	L1	L	L'	D1	D2	Weight
	Style	(mm)	(mm)	(mm)	(mm)	(mm)	(kg)
1	32-4-17	290	510	535	135	86	21
2	32-4-26	317	572	597	148	96	25
3	32-4-37	344	599	624			26
4	32-4-46	371	626	651			27
5	32-4-55	398	698	723	166	115	32
6	32-4-64	425	725	750			33
7	32-4-74	452	752	777			34
8	32-4-83	479	779	804			36
9	32-4-92	506	806	831			37
10	32-4-101	543	868	893	191	128	47
11	32-4-111	570	895	920			48
12	32-4-121	597	922	947			49
13	32-4-131	624	979	1004	212	140	21
14	32-4-141	651	1006	1031			52
15	32-4-150	678	1033	1058			53
16	32-4-160	705	1060	1085			54
17	32-4-169	752	1182	1207	258	163	64
18	32-4-178	779	1209	1234			65
19	32-4-188	806	1236	1261			66
20	32-4-198	833	1263	1288			67
21	32-4-207	860	1290	1315			68
22	32-4-217	887	1317	1342			69

**Performance curve**


KQDP/KQDQ32-5 Performance table								
No.	Type	Motor power (kW)	Q (m³/h)	3	4	5	6	7
1	32-5-12	0.37	H (m)	14.5	13	12	11.5	10.5
2	32-5-20	0.55		22	21	20	18	15
3	32-5-27	0.75		30	29	27	25	21
4	32-5-35	1.1		39	37	35	32	29
5	32-5-43			46	45	43	40	36
6	32-5-50	1.5		54	53	50	47	43
7	32-5-58			63	61	58	55	51
8	32-5-66	2.2		72	69	66	62	57
9	32-5-73			80	77	73	69	63
10	32-5-81			88	85	81	76	70
11	32-5-88	3		96	92	88	83	77
12	32-5-95			104	100	95	90	83
13	32-5-103			112	108	103	97	90
14	32-5-111			120	116	111	104	96
15	32-5-119	4		128	124	119	112	103
16	32-5-127			136	132	127	120	110
17	32-5-134			144	139	134	126	117
18	32-5-142	5.5		152	147	142	134	121
19	32-5-150			160	156	150	143	132
20	32-5-158			168	164	158	151	139
21	32-5-166	5.5		176	172	166	158	146
22	32-5-174			185	180	174	166	153
23	32-5-182			192	188	182	173	162
24	32-5-190			200	195	190	181	169
25	32-5-198			208	203	198	190	176
26	32-5-205			216	211	205	197	183
27	32-5-212			224	219	212	204	190

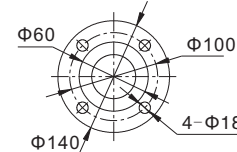
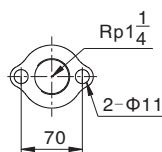
Installation drawing

KQDP32-5

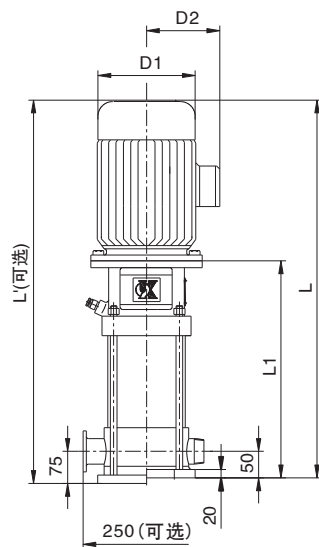
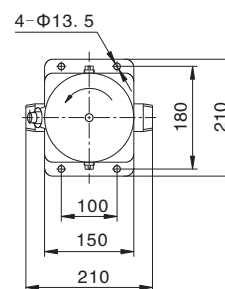


Dimensions for connection of inlet and outlet oval flanges standard configuration PN1.6Mpa

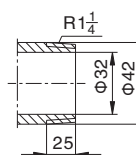
Dimensions of inlet and outlet flanges (optional) GB/T17241.6-2008 PN2.5Mpa



KQDP32-5 Dimension table							
No.	Type	L1	L	L'	D1	D2	Weight
	Style	(mm)	(mm)	(mm)	(mm)	(mm)	(kg)
1	32-5-12	283	503	528	135	86	21
2	32-5-20	310	530	555			22
3	32-5-27	337	592	617	148	96	26
4	32-5-35	364	619	644			27
5	32-5-43	391	646	671			28
6	32-5-50	418	718	743	166	115	33
7	32-5-58	445	745	770			34
8	32-5-66	472	772	797			36
9	32-5-73	499	799	824			37
10	32-5-81	526	826	851			38
11	32-5-88	553	853	878			38
12	32-5-95	590	915	940	191	128	49
13	32-5-103	617	942	976			50
14	32-5-111	644	969	994			50
15	32-5-119	671	996	1021			51
16	32-5-127	698	1023	1048	212	140	52
17	32-5-134	725	1080	1105			55
18	32-5-142	752	1107	1132			56
19	32-5-150	779	1134	1159			57
20	32-5-158	806	1161	1186			58
21	32-5-166	833	1188	1213	258	163	59
22	32-5-174	880	1310	1335			69
23	32-5-182	907	1337	1362			70
24	32-5-190	934	1364	1389			71
25	32-5-198	961	1391	1416			72
26	32-5-205	988	1418	1443			74
27	32-5-212	1015	1445	1470	76		

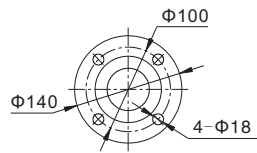
**Installation drawing**

**KQDQ32-5**


Connection dimensions for inlet and outlet threads (standard configuration)

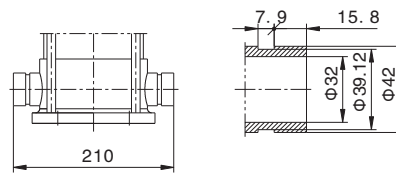




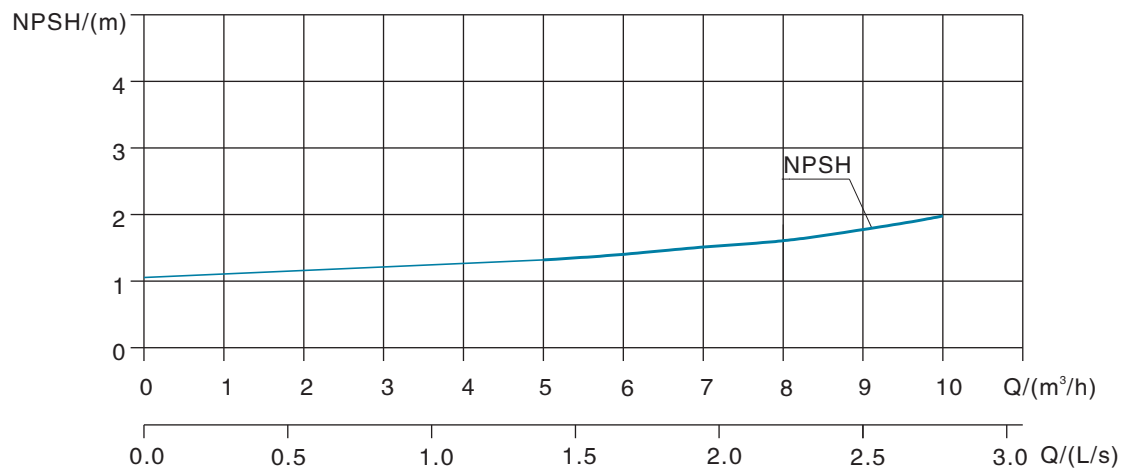
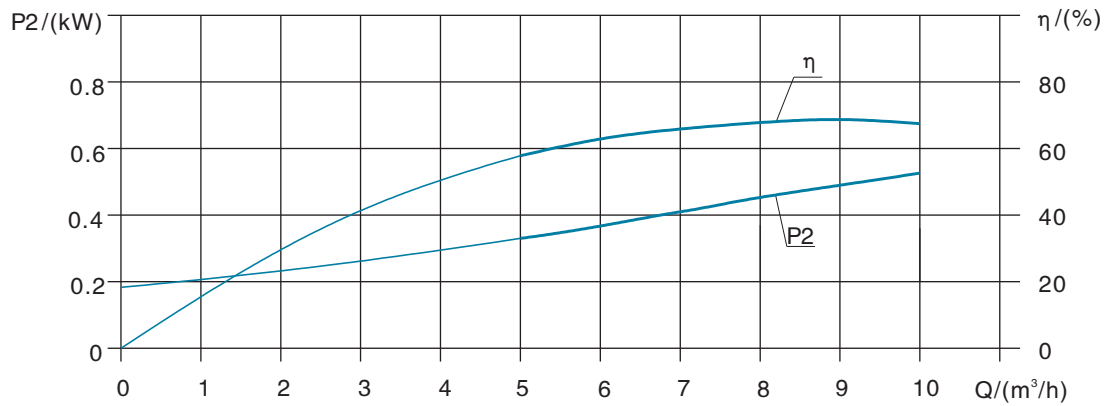
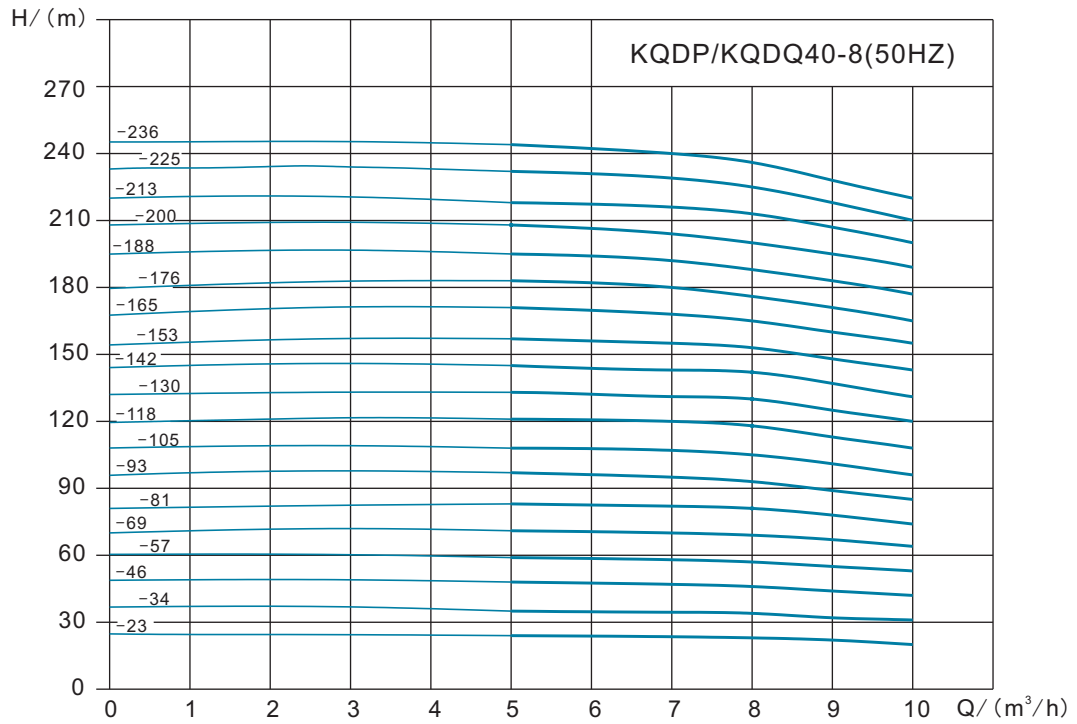
Dimensions of inlet and outlet flanges (optional)  
GB/T17241.6-2008 PN2.5Mpa



Inlet and outlet bayonet coupling size (optional)

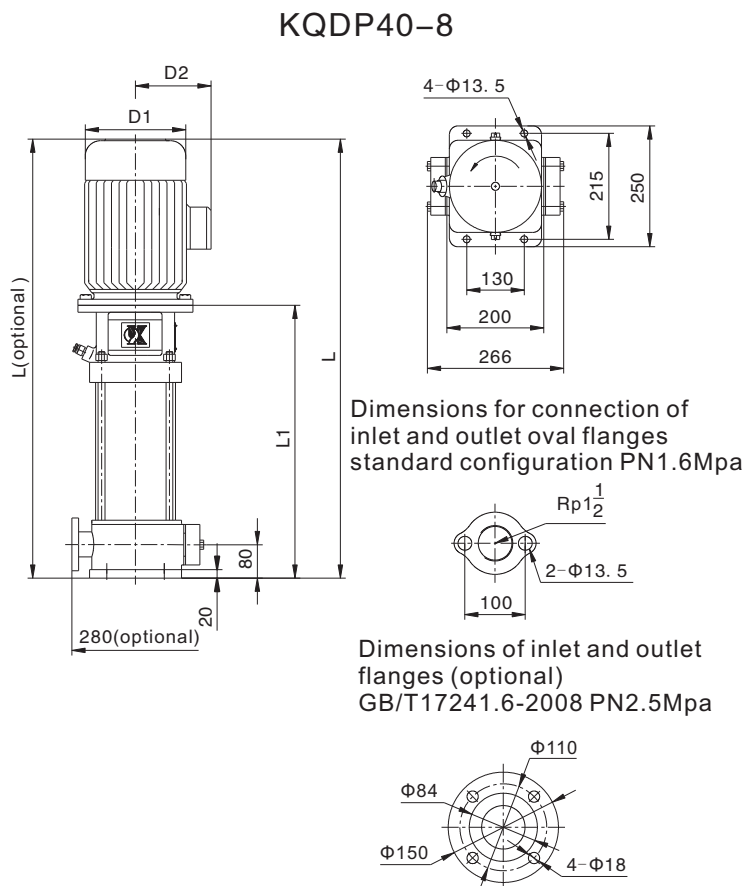


KQDQ32-5 Dimension table							
No.	Type	L1	L	L'	D1	D2	Weight
	Style	(mm)	(mm)	(mm)	(mm)	(mm)	(kg)
1	32-5-12	290	510	535	135	86	21
2	32-5-20	317	537	562			22
3	32-5-27	344	599	624			148
4	32-5-35	371	626	651	27		
5	32-5-43	398	653	678	28		
6	32-5-50	425	725	750	166	115	33
7	32-5-58	452	752	777			34
8	32-5-66	479	779	804			36
9	32-5-73	506	806	831			37
10	32-5-81	533	833	858			38
11	32-5-88	560	860	885			38
12	32-5-95	597	922	947	191	128	49
13	32-5-103	624	949	974			50
14	32-5-111	651	976	1001			50
15	32-5-119	678	1003	1028			51
16	32-5-127	705	1030	1055			52
17	32-5-134	732	1087	1112	212	140	55
18	32-5-142	759	1114	1139			56
19	32-5-150	786	1141	1166			57
20	32-5-158	813	1168	1193			58
21	32-5-166	840	1195	1220			59
22	32-5-174	887	1317	1342			258
23	32-5-182	914	1344	1369	70		
24	32-5-190	941	1371	1396	71		
25	32-5-198	968	1398	1423	72		
26	32-5-205	995	1425	1450	74		
27	32-5-212	1022	1452	1477	76		

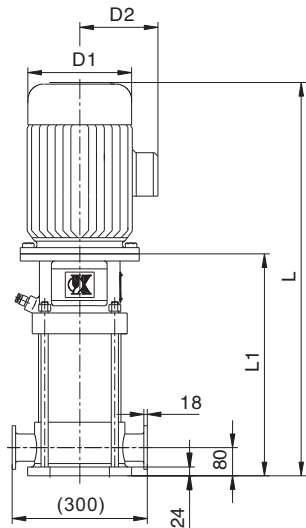
**Performance curve**


KQDP/KQDQ40-8 Performance table								
No.	Type	Motor power (kW)	Q (m <sup>3</sup> /h)	5	7	8	9	10
1	40-8-23	1.1	H (m)	24	23.5	23	22	20
2	40-8-34	1.5		35	34.5	34	32	31
3	40-8-46	2.2		48	47	46	44	42
4	40-8-57	2.2		59	58	57	55	53
5	40-8-69	3		71	70	69	67	64
6	40-8-81	3		83	82	81	78	74
7	40-8-93	4		97	95	93	89	85
8	40-8-105	4		109	107	105	101	96
9	40-8-118	5.5		121	120	118	113	108
10	40-8-130	5.5		133	131	130	125	120
11	40-8-142	5.5		145	143	142	137	131
12	40-8-153	7.5		157	155	153	148	143
13	40-8-165	7.5		171	168	165	160	155
14	40-8-176	7.5		183	180	176	171	165
15	40-8-188	7.5		195	192	188	183	177
16	40-8-200	7.5		208	204	200	195	189
17	40-8-213	7.5		218	216	213	207	200
18	40-8-225	11		232	229	225	218	210
19	40-8-236	11		244	240	236	228	220

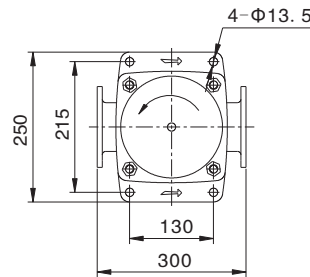
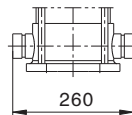
Installation drawing



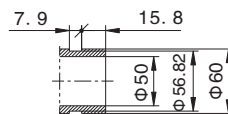
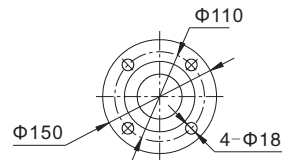
KQDP40-8 Dimension table						
No.	Type	L1	L	D1	D2	Weight
	Style	(mm)	(mm)	(mm)	(mm)	(kg)
1	40-8-23	365	620	148	96	38
2	40-8-34	395	695	166	115	42
3	40-8-46	425	725			45
4	40-8-57	455	755	191	128	47
5	40-8-69	495	820			56
6	40-8-81	525	850	212	140	58
7	40-8-93	555	910			67
8	40-8-105	585	940	258	163	69
9	40-8-118	645	1075			91
10	40-8-130	675	1105	314	251	93
11	40-8-142	705	1135			95
12	40-8-153	735	1165	314	251	96
13	40-8-165	765	1195			97
14	40-8-176	795	1225	314	251	99
15	40-8-188	825	1255			101
16	40-8-200	855	1285	314	251	102
17	40-8-213	885	1315			103
18	40-8-225	983	1481	314	251	114
19	40-8-236	1013	1511			116

**Installation drawing**
**KQDQ40-8**


Dimensions of inlet and outlet flanges (optional)  
GB/T17241.6-2008 PN2.5Mpa

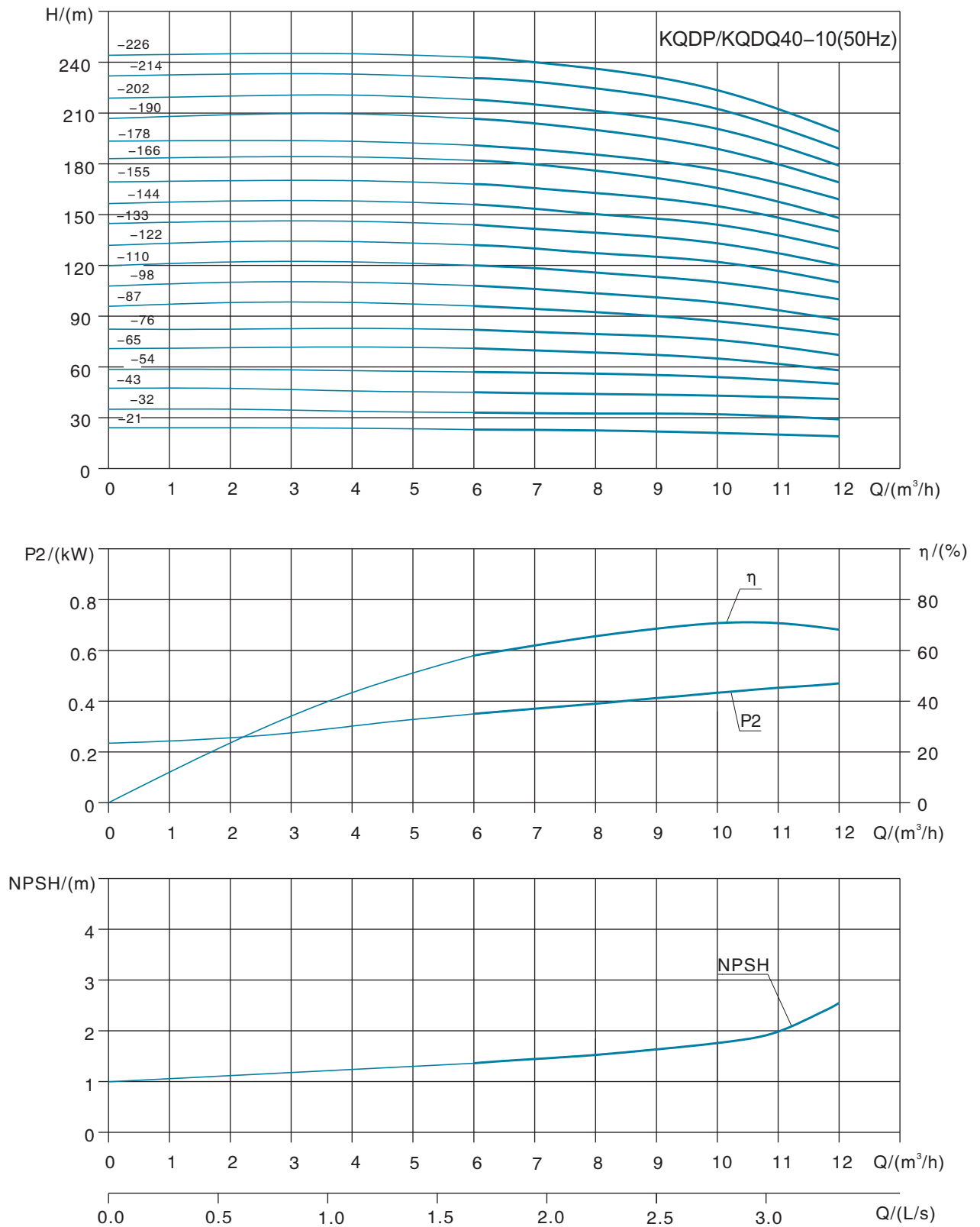


Connection dimensions for inlet and outlet threads  
(standard configuration)  
standard configuration PN1.6Mpa

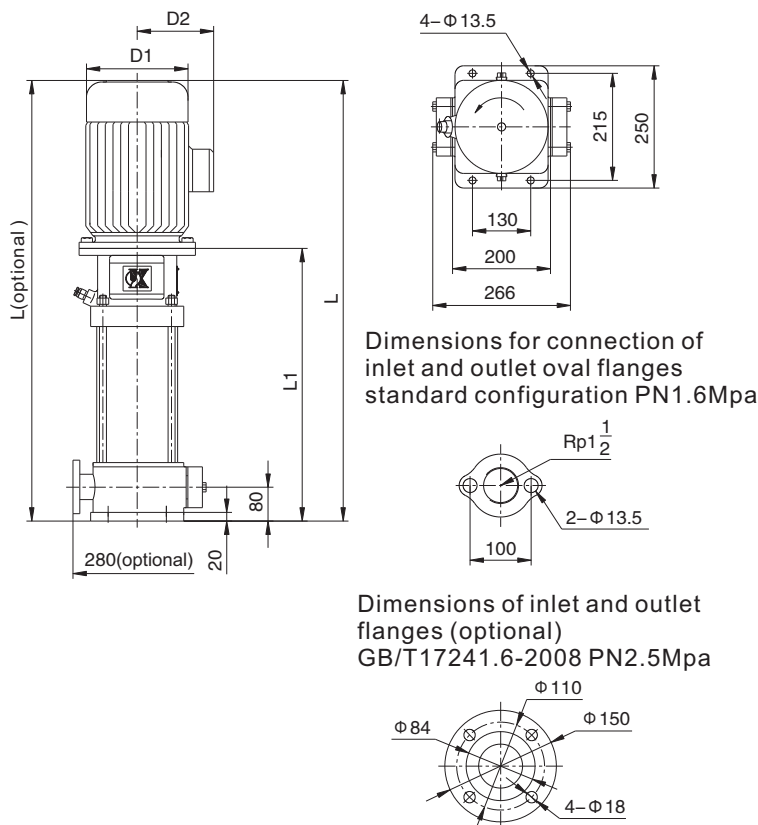


KQDQ40-8 Dimension table						
No.	Type	L1	L	D1	D2	Weight
	Style	(mm)	(mm)	(mm)	(mm)	(kg)
1	40-8-23	373	628	148	96	38
2	40-8-34	403	703	166	115	42
3	40-8-46	433	733			45
4	40-8-57	463	763			47
5	40-8-69	503	828	191	128	56
6	40-8-81	533	858			58
7	40-8-93	563	918	212	140	67
8	40-8-105	593	948			69
9	40-8-118	653	1083	258	163	91
10	40-8-130	683	1113			93
11	40-8-142	713	1143			95
12	40-8-153	743	1173			96
13	40-8-165	773	1203			97
14	40-8-176	803	1233			99
15	40-8-188	833	1263			101
16	40-8-200	863	1293			102
17	40-8-213	893	1323			103
18	40-8-225	991	1489			314
19	40-8-236	1021	1519	116		

Performance curve



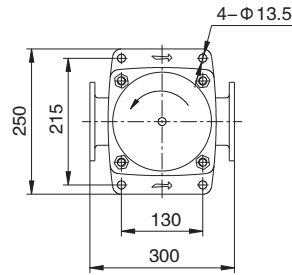
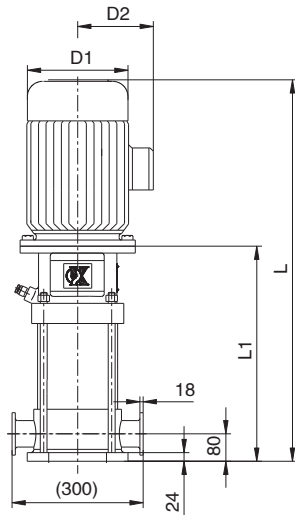
KQDP/KQDQ40-10 Dimension table								
No.	Type	Motor power (kW)	Q (m <sup>3</sup> /h)	6	8	10	11	12
1	40-10-21	1.1	H (m)	23	22.5	21	20	19
2	40-10-32	1.5		33	32.5	32	31	29
3	40-10-43	2.2		45	44	43	42	40
4	40-10-54	2.2		57	56	54	52	50
5	40-10-65	3		71	68	65	62	58
6	40-10-76	4		82	79	76	72	67
7	40-10-87	4		96	92	87	83	78
8	40-10-98	4		108	104	98	93	88
9	40-10-110	5.5		120	116	110	105	98
10	40-10-122	5.5		132	129	122	116	108
11	40-10-133	5.5		144	140	133	127	118
12	40-10-144	7.5		156	152	144	137	128
13	40-10-155	7.5		168	164	155	148	138
14	40-10-166	7.5		181	176	166	157	147
15	40-10-178	7.5		193	186	178	169	158
16	40-10-190	11		207	201	190	180	168
17	40-10-202	11		217	213	202	191	178
18	40-10-214	11		231	225	214	202	189
19	40-10-226	11		243	237	226	213	199

**Installation drawing**
**KQDP40-10**


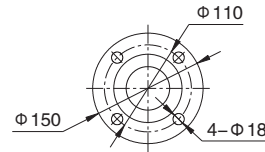
KQDP40-10 Dimension table						
No.	Type	L1	L	D1	D2	Weight (kg)
	Style	(mm)	(mm)	(mm)	(mm)	
1	40-10-21	365	620	148	96	38
2	40-10-32	395	695	166	115	44
3	40-10-43	425	725			47
4	40-10-54	455	755	191	128	49
5	40-10-65	495	820			58
6	40-10-76	525	880	212	140	60
7	40-10-87	555	910			69
8	40-10-98	585	940	258	163	71
9	40-10-110	645	1075			85
10	40-10-122	675	1105	314	251	87
11	40-10-133	705	1135			89
12	40-10-144	735	1165	314	251	91
13	40-10-155	765	1195			93
14	40-10-166	795	1225	314	251	95
15	40-10-178	825	1255			96
16	40-10-190	923	1421	314	251	124
17	40-10-202	953	1451			126
18	40-10-214	983	1481	314	251	128
19	40-10-226	1013	1511			130

Installation drawing

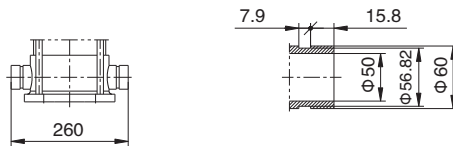
KQDQ40-10



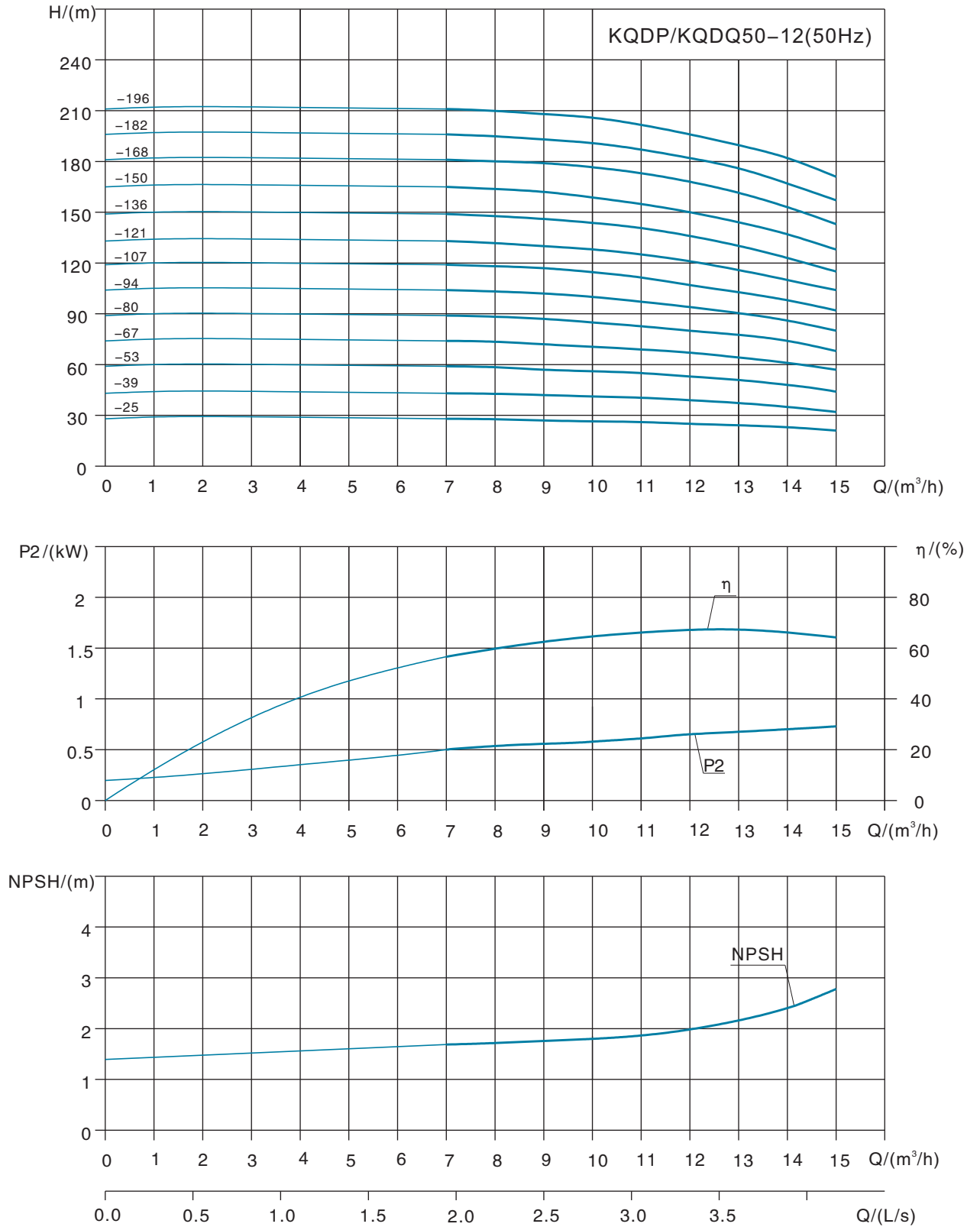
Dimensions of inlet and outlet flanges (standard configuration) GB/T17241.6-2008 PN2.5Mpa



Dimensions of inlet and outlet bayonet (optional)



KQDQ40-10 Dimension table						
No.	Type	L1	L	D1	D2	Weight (kg)
	Style	(mm)	(mm)	(mm)	(mm)	
1	40-10-21	373	628	148	96	38
2	40-10-32	403	703	166	115	44
3	40-10-43	433	733			47
4	40-10-54	463	763	191	128	49
5	40-10-65	503	828			58
6	40-10-76	533	888	212	140	60
7	40-10-87	563	918			69
8	40-10-98	593	948	258	163	71
9	40-10-110	653	1083			85
10	40-10-122	683	1113	314	251	87
11	40-10-133	713	1143			89
12	40-10-144	743	1173	163	251	91
13	40-10-155	773	1203			93
14	40-10-166	803	1233	314	251	95
15	40-10-178	833	1263			96
16	40-10-190	931	1429	314	251	124
17	40-10-202	961	1459			126
18	40-10-214	991	1489	314	251	128
19	40-10-226	1021	1519			130

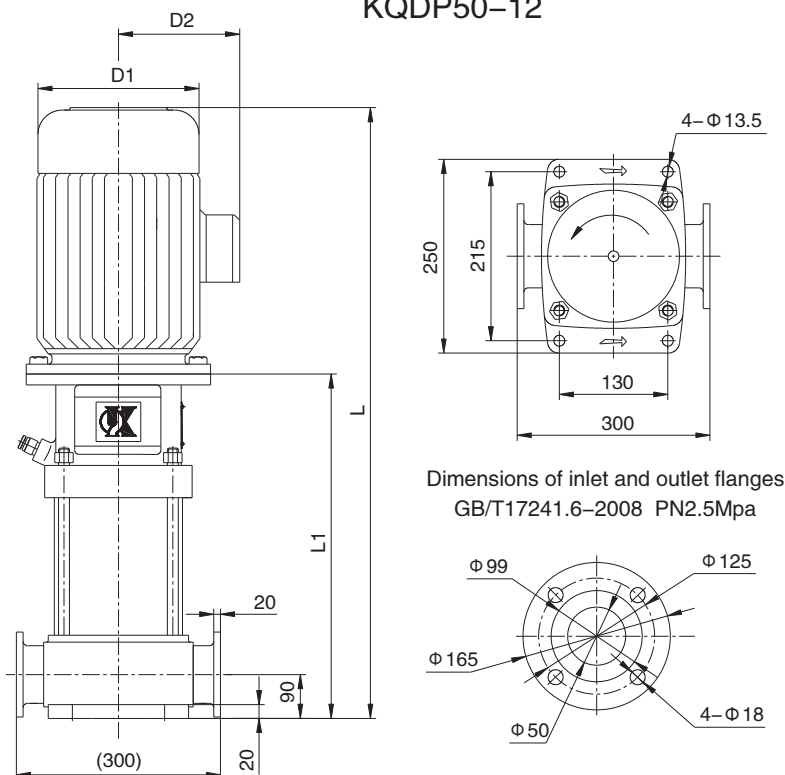
**Performance curve**




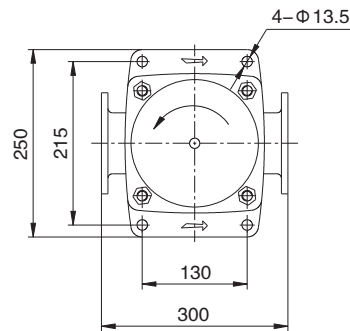
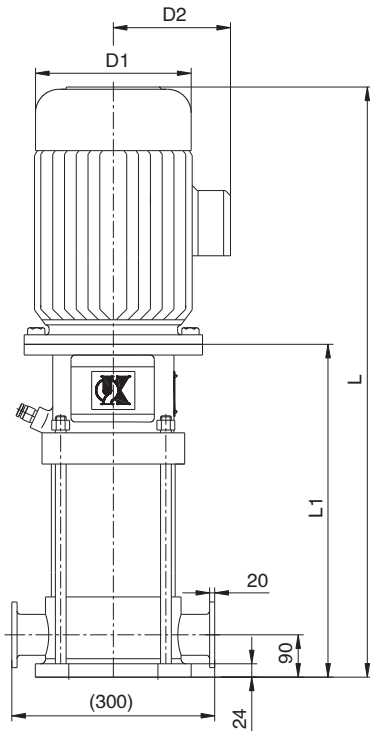
KQDP/KQDQ50-12 Performance table								
No.	Type	Motor power (kW)	Q (m <sup>3</sup> /h)	7	9	12	14	15
1	50-12-25	1.5	H (m)	28	27	25	23	21
2	50-12-39	2.2		43	42	39	35	32
3	50-12-53	3		59	57	53	48	44
4	50-12-67	4		74	72	67	61	57
5	50-12-80	5.5		89	87	80	74	68
6	50-12-94	5.5		104	102	94	86	80
7	50-12-107	7.5		119	117	107	98	92
8	50-12-121	7.5		133	130	121	110	104
9	50-12-136	7.5		149	146	136	123	115
10	50-12-150	11		165	162	150	137	128
11	50-12-168	11		181	179	168	153	143
12	50-12-182	11		196	193	182	167	157
13	50-12-196	11		211	208	196	180	171

Installation drawing

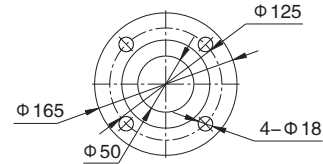
KQDP50-12



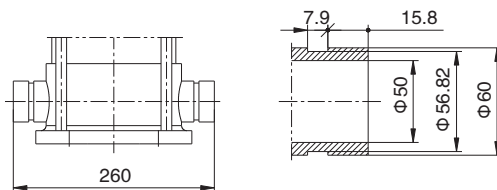
KQDP50-12 Dimension table						
No.	Type	L1	L	D1	D2	Weight
	Style	(mm)	(mm)	(mm)	(mm)	(kg)
1	50-12-25	384	684	166	115	49
2	50-12-39	414	714			53
3	50-12-53	454	779	191	128	61
4	50-12-67	484	839	212	140	70
5	50-12-80	544	974	258	163	94
6	50-12-94	574	1004			96
7	50-12-107	604	1034			114
8	50-12-121	634	1064	314	251	116
9	50-12-136	664	1094			118
10	50-12-150	762	1317			150
11	50-12-168	792	1347	314	251	152
12	50-12-182	822	1377			154
13	50-12-196	852	1407			164

**Installation drawing**
**KQDQ50-12**


Dimensions of inlet and outlet flanges  
(standard configuration)  
GB/T17241.6-2008 PN2.5Mpa

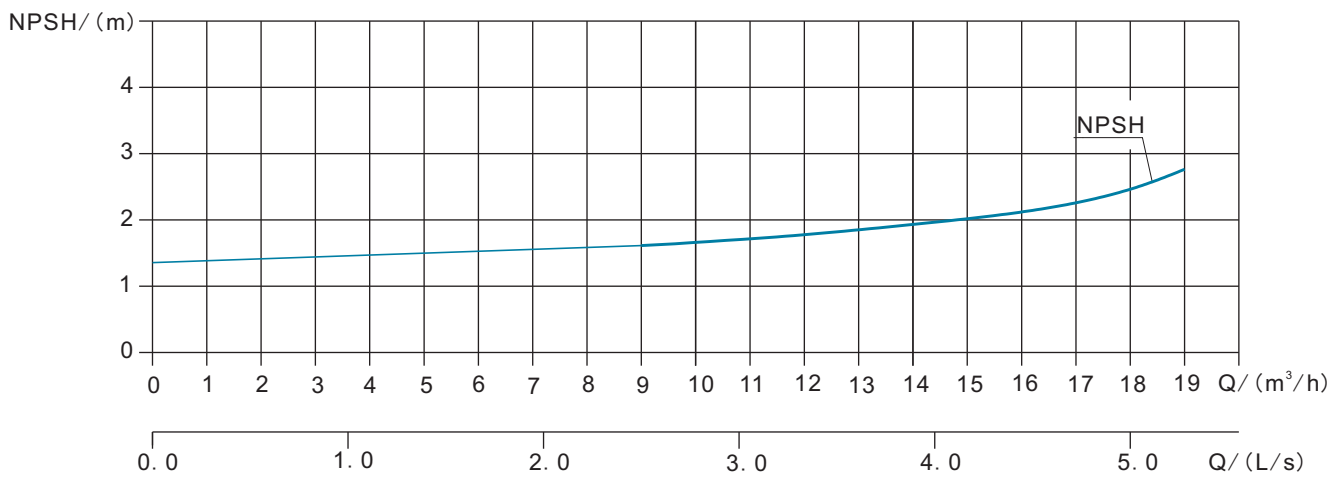
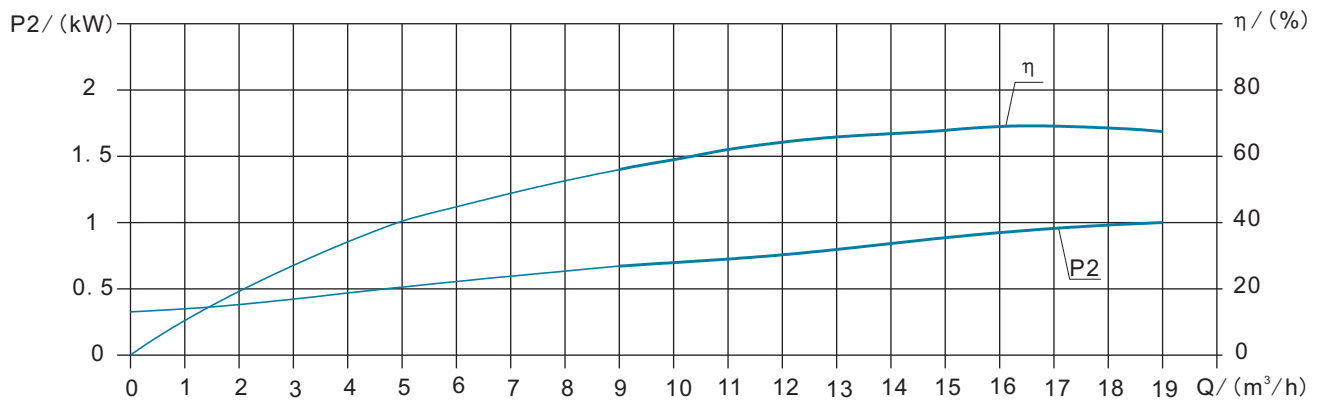
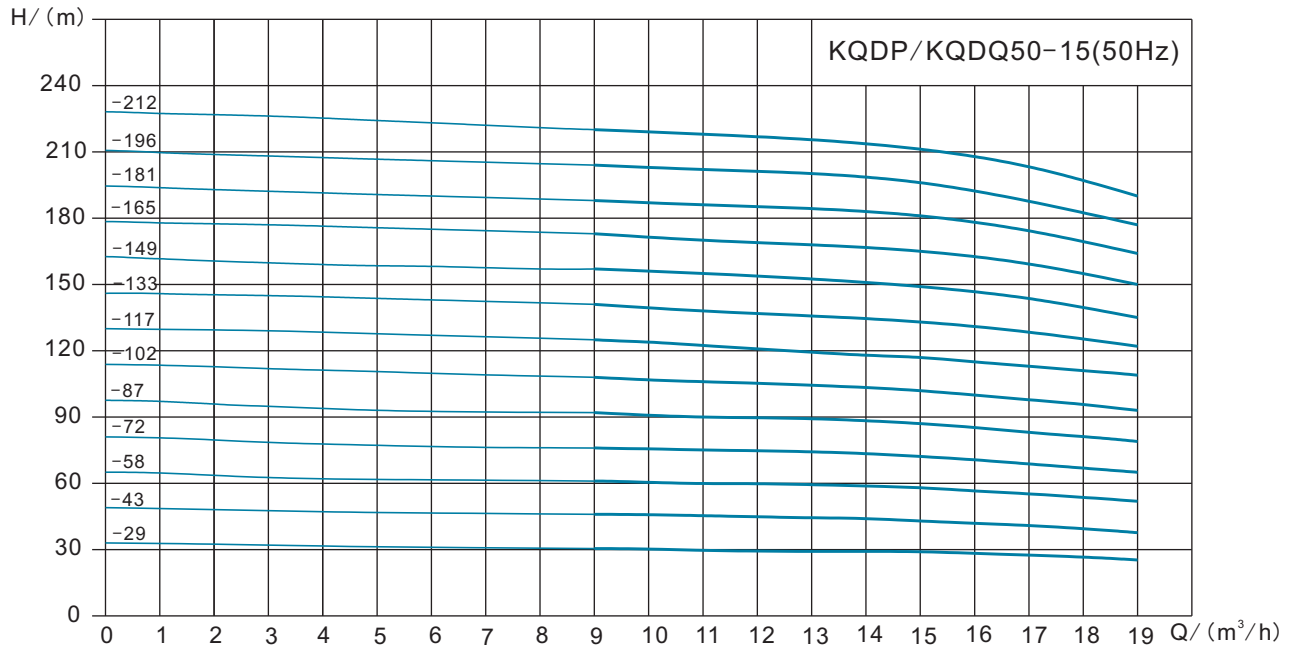


Dimensions of inlet and outlet bayonet (optional)



KQDQ50-12 Dimension table						
No.	Type	L1	L	D1	D2	Weight
	Style	(mm)	(mm)	(mm)	(mm)	(kg)
1	50-12-25	383	683	166	115	49
2	50-12-39	413	713			53
3	50-12-53	453	778	191	128	61
4	50-12-67	483	838	212	140	70
5	50-12-80	543	973	258	163	94
6	50-12-94	573	1003			96
7	50-12-107	603	1033			114
8	50-12-121	633	1063			116
9	50-12-136	663	1093			118
10	50-12-150	761	1316			314
11	50-12-168	791	1346	152		
12	50-12-182	821	1376	154		
13	50-12-196	851	1406	164		

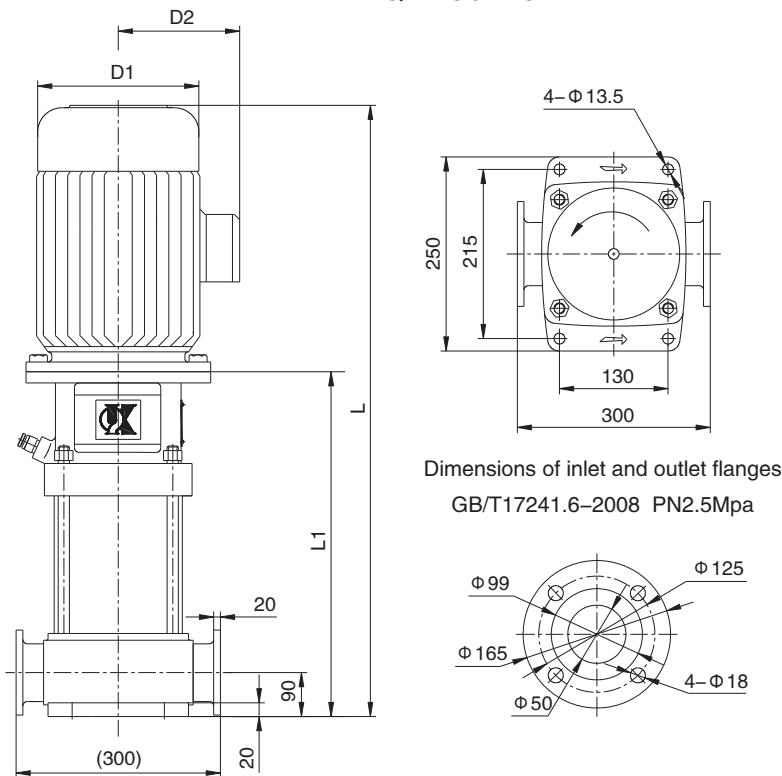
Performance curve



KQDP/KQDQ50-15 Performance table								
No.	Type	Motor power (kW)	Q (m <sup>3</sup> /h)	9	11	15	17	19
1	50-15-29	2.2	H (m)	30.5	29.5	29	27	26
2	50-15-43	3		46	45	43	41	39
3	50-15-58	4		61	60	58	55	52
4	50-15-72	5.5		76	75	72	68	65
5	50-15-87	7.5		92	90	87	83	79
6	50-15-102	7.5		108	106	102	98	93
7	50-15-117	11		125	122	117	113	109
8	50-15-133	11		141	138	133	128	122
9	50-15-149	11		157	155	149	143	135
10	50-15-165	11		173	170	165	158	150
11	50-15-181	15		188	186	181	173	164
12	50-15-196	15		204	202	196	187	177
13	50-15-212	15		219	217	212	202	190

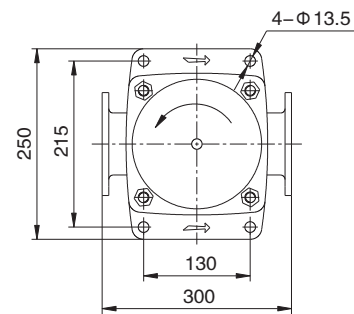
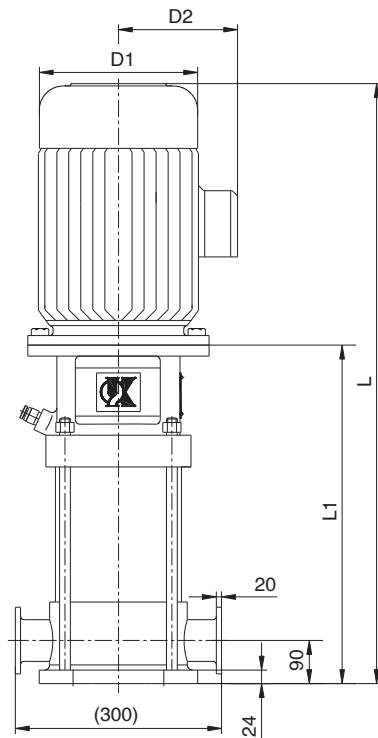
### Installation drawing

#### KQDP50-15

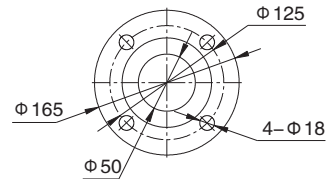


KQDP50-15 Dimension table						
No.	Type	L1	L	D1	D2	Weight (kg)
	Style	(mm)	(mm)	(mm)	(mm)	
1	50-15-29	414	714	166	115	49
2	50-15-43	469	794	191	128	54
3	50-15-58	514	869	212	140	67
4	50-15-72	589	1019	258	163	92
5	50-15-87	634	1064			97
6	50-15-102	679	1109	314	251	99
7	50-15-117	792	1291			137
8	50-15-133	837	1336			138
9	50-15-149	882	1381	165	176	165
10	50-15-165	927	1426			176
11	50-15-181	972	1471	182	180	180
12	50-15-196	1017	1516			182
13	50-15-212	1062	1561	184		

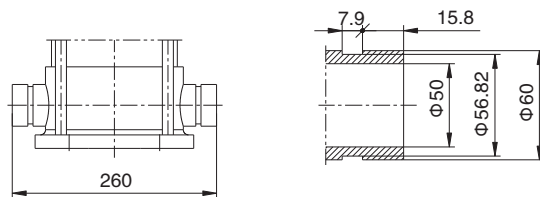
KQDQ50-15



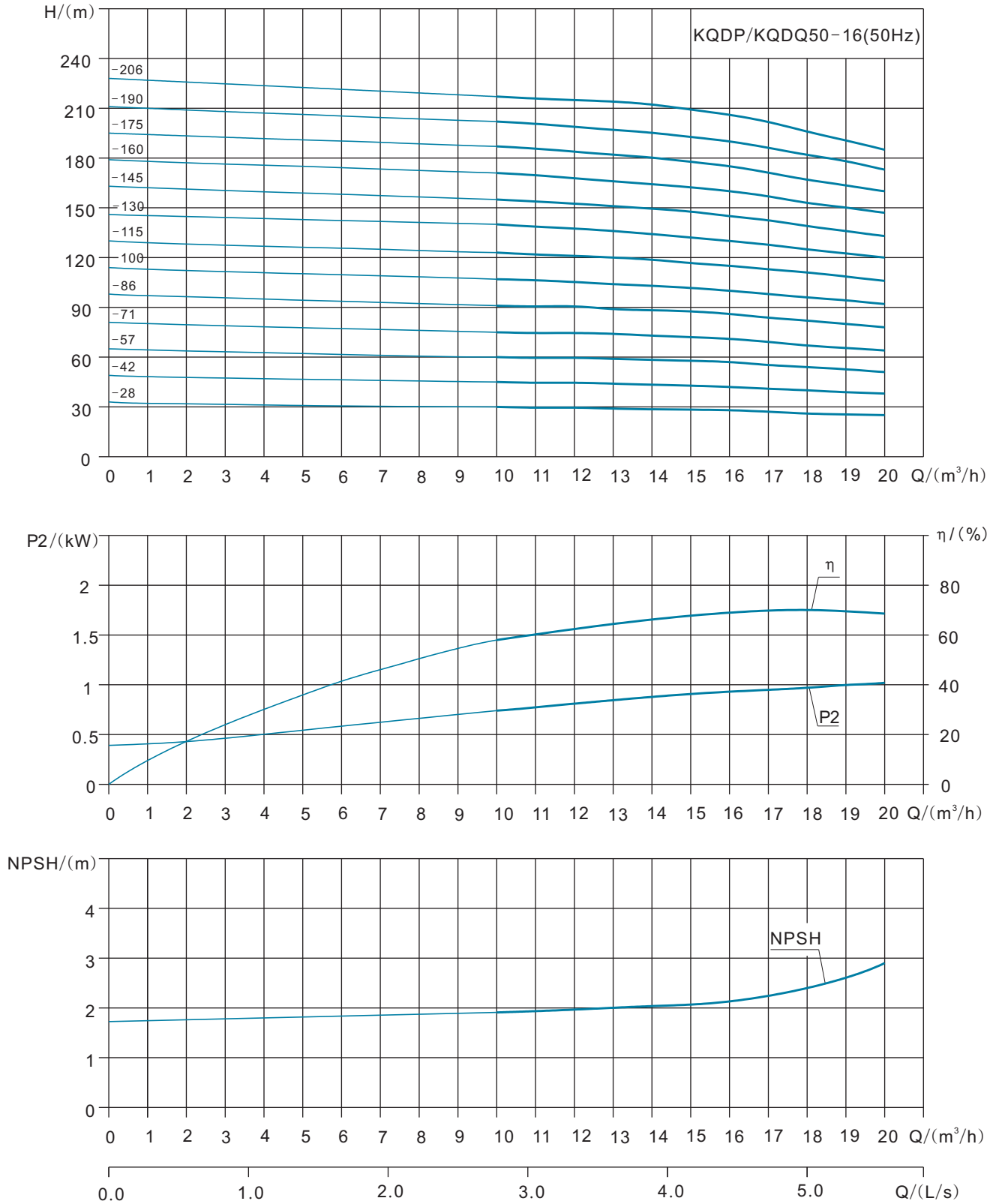
Dimensions of inlet and outlet flanges (standard configuration)  
GB/T17241.6-2008 PN2.5Mpa



Dimensions of inlet and outlet bayonet (optional)



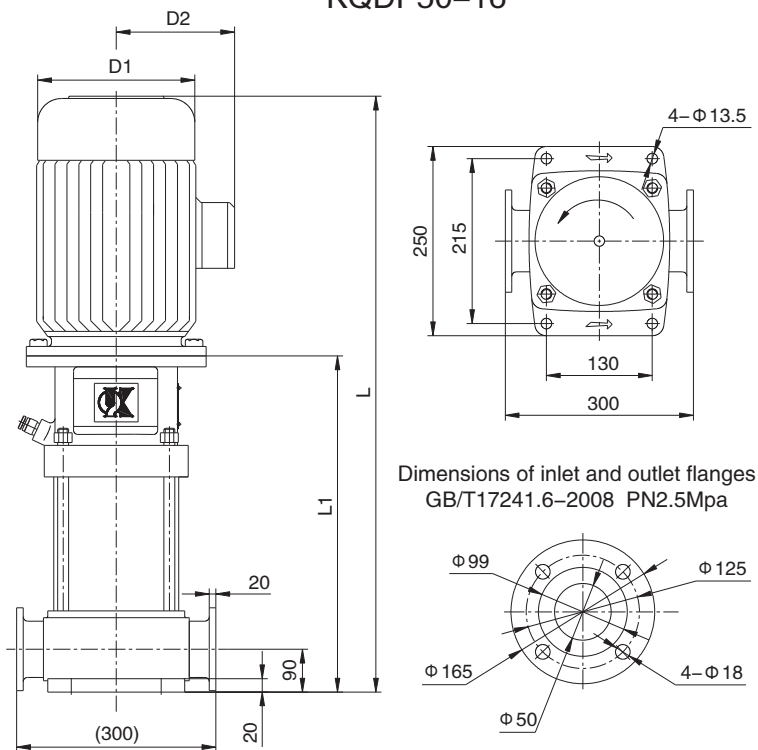
KQDQ50-15 Dimension table						
No.	Type	L1	L	D1	D2	Weight
	Style	(mm)	(mm)	(mm)	(mm)	(kg)
1	50-15-29	413	713	166	115	49
2	50-15-43	468	793	191	128	54
3	50-15-58	513	868	212	140	67
4	50-15-72	588	1018	258	163	92
5	50-15-87	633	1063			97
6	50-15-102	678	1108			99
7	50-15-117	791	1289	314	251	137
8	50-15-133	836	1334			138
9	50-15-149	881	1379			165
10	50-15-165	926	1424			176
11	50-15-181	971	1469			180
12	50-15-196	1016	1514			182
13	50-15-212	1061	1559			184

**Performance curve**


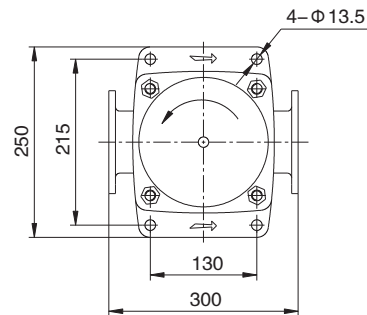
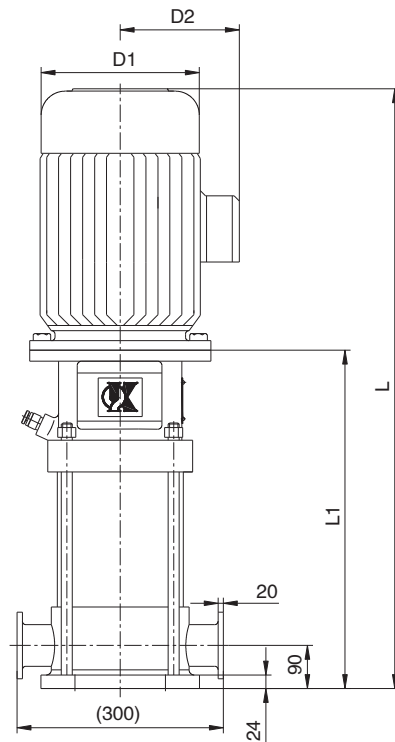
KQDP/KQDQ50-16 Performance table								
No.	Type	Motor power (kW)	Q (m <sup>3</sup> /h)	10	13	16	18	20
1	50-16-28	2.2	H (m)	30	29	28	26	25
2	50-16-42	3		45	44	42	40	38
3	50-16-57	4		60	59	57	54	51
4	50-16-71	5.5		75	74	71	67	64
5	50-16-86	7.5		91	89	86	82	78
6	50-16-100	7.5		107	104	100	96	92
7	50-16-115	11		123	120	115	111	106
8	50-16-130	11		140	136	130	125	120
9	50-16-145	11		155	151	145	139	133
10	50-16-160	11		171	166	160	153	147
11	50-16-175	15		187	182	175	167	160
12	50-16-190	15		202	197	190	182	173
13	50-16-206	15		217	214	206	196	185

Installation drawing

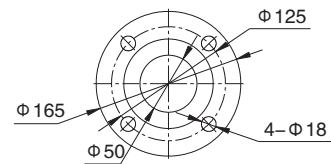
KQDP50-16



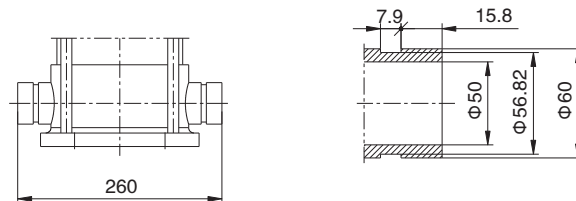
KQDP50-16 Dimension table						
No.	Type	L1	L	D1	D2	Weight (kg)
	Style	(mm)	(mm)	(mm)	(mm)	
1	50-16-28	414	714	166	115	49
2	50-16-42	469	794	191	128	54
3	50-16-57	514	869	212	140	67
4	50-16-71	589	1019	258	163	92
5	50-16-86	634	1064			97
6	50-16-100	679	1109			99
7	50-16-115	792	1291	314	251	137
8	50-16-130	837	1336			138
9	50-16-145	882	1381			165
10	50-16-160	927	1426			176
11	50-16-175	972	1471			180
12	50-16-190	1017	1516			182
13	50-16-206	1062	1561			184

**Installation drawing**
**KQDQ50-16**


Dimensions of inlet and outlet flanges  
(standard configuration)  
GB/T17241.6-2008 PN2.5Mpa



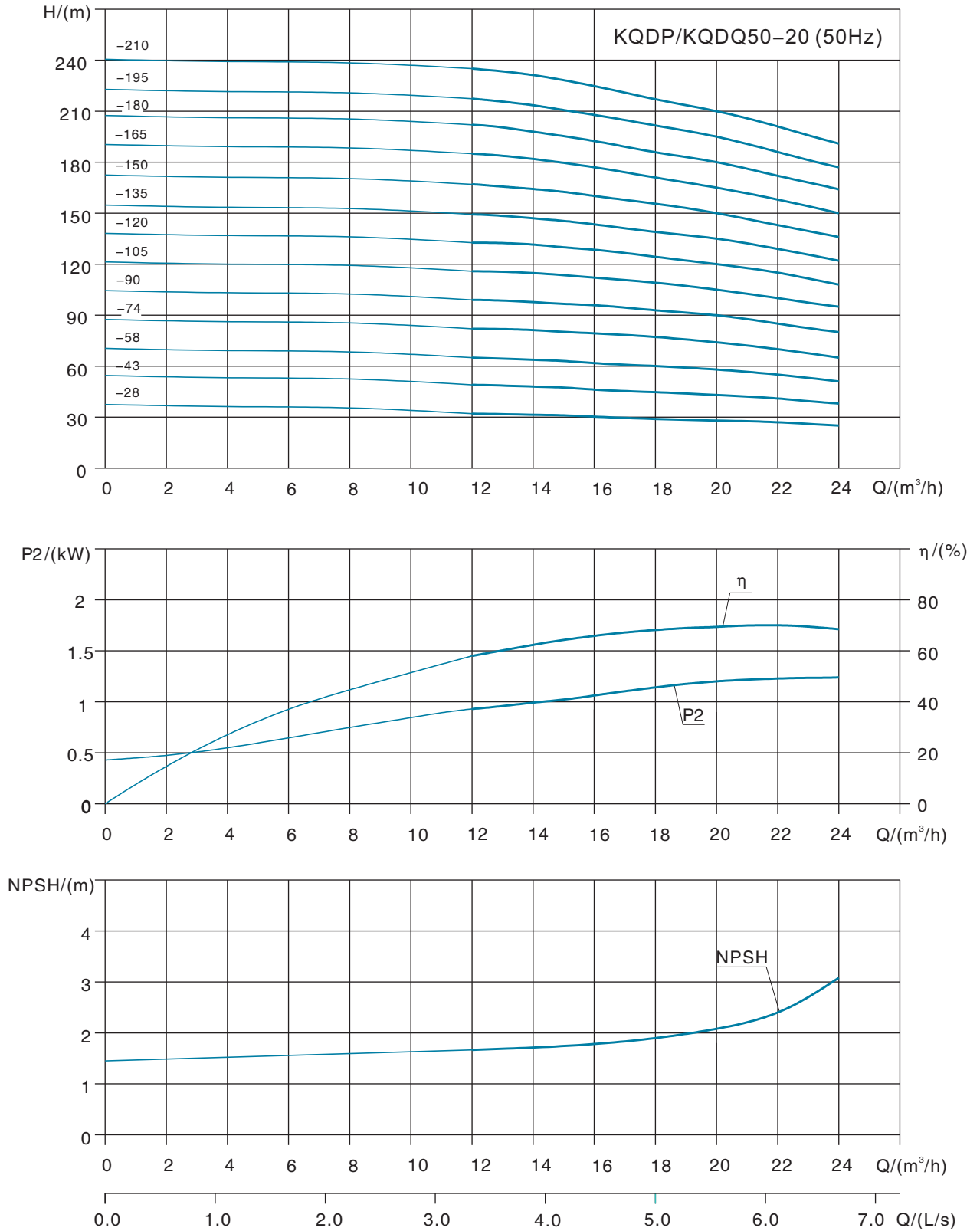
Dimensions of inlet and outlet bayonet (optional)



KQDQ50-16 Dimension table						
No.	Type	L1 (mm)	L (mm)	D1 (mm)	D2 (mm)	Weight (kg)
	Style					
1	50-16-28	413	713	166	115	49
2	50-16-42	468	793	191	128	54
3	50-16-57	513	868	212	140	67
4	50-16-71	588	1018	258	163	92
5	50-16-86	633	1063			97
6	50-16-100	678	1108			99
7	50-16-115	791	1289	314	251	137
8	50-16-130	836	1334			138
9	50-16-145	881	1379			165
10	50-16-160	926	1424			176
11	50-16-175	971	1469			180
12	50-16-190	1016	1514			182
13	50-16-206	1061	1559			184



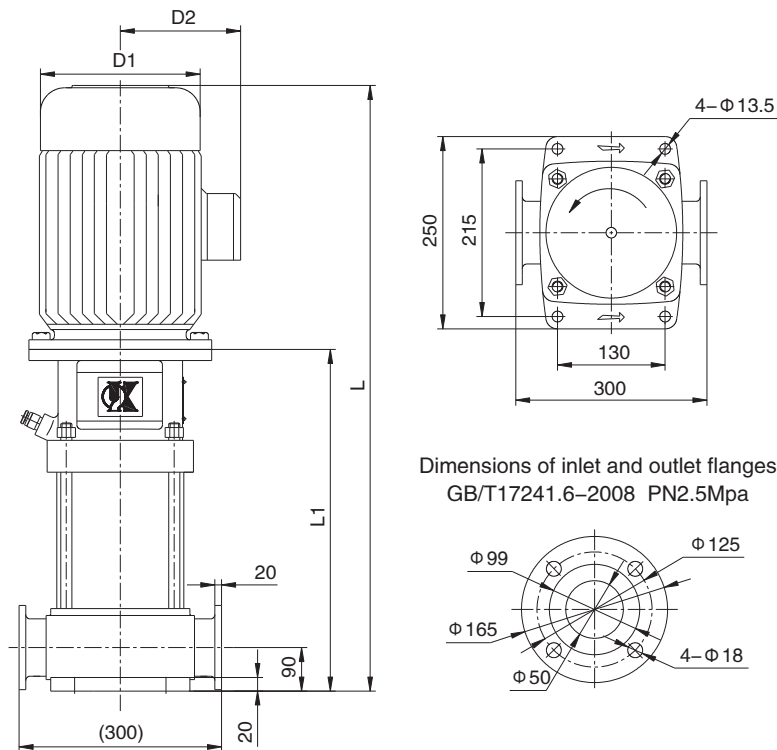
Performance curve



KQDP/KQDQ50-20 Performance table								
No.	Type	Motor power (kW)	Q (m <sup>3</sup> /h)	12	15	20	22	24
1	50-20-28	3	H (m)	32	31	28	27	25
2	50-20-43	4		49	47	43	41	38
3	50-20-58	5.5		65	63	58	55	51
4	50-20-74	7.5		82	80	74	70	65
5	50-20-90	11		99	96	90	85	80
6	50-20-105	11		116	113	105	100	95
7	50-20-120	11		133	129	120	115	108
8	50-20-135	15		150	145	135	129	122
9	50-20-150	15		168	162	150	143	136
10	50-20-165	15		185	178	165	158	150
11	50-20-180	18.5		202	194	180	172	164
12	50-20-195	18.5		218	210	195	186	177
13	50-20-210	18.5		235	227	210	201	191

### Installation drawing

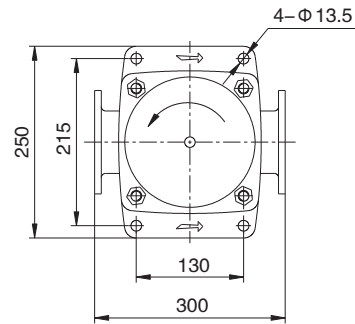
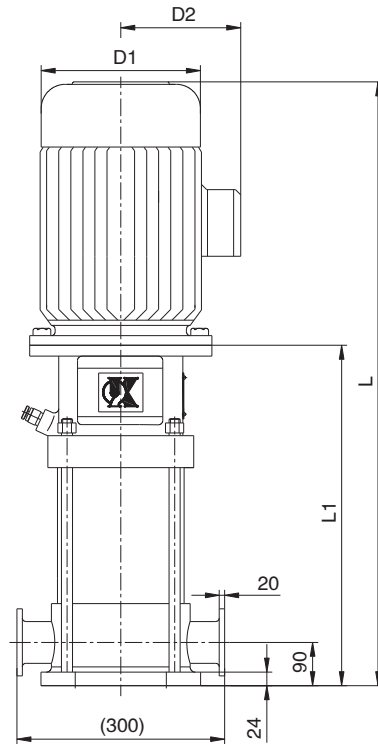
#### KQDP50-20



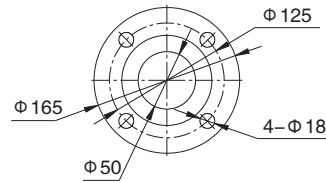
KQDP50-20 Dimension table						
No.	Type	L1	L	D1	D2	Weight (kg)
	Style	(mm)	(mm)	(mm)	(mm)	
1	50-20-28	424	749	191	128	58
2	50-20-43	469	824	212	140	66
3	50-20-58	544	974	258	163	88
4	50-20-74	589	1019			97
5	50-20-90	702	1200	314	251	133
6	50-20-105	747	1245			135
7	50-20-120	792	1290			141
8	50-20-135	837	1335			153
9	50-20-150	882	1380			155
10	50-20-165	927	1425			157
11	50-20-180	972	1470			168
12	50-20-195	1017	1515			170
13	50-20-210	1062	1560			172

Installation drawing

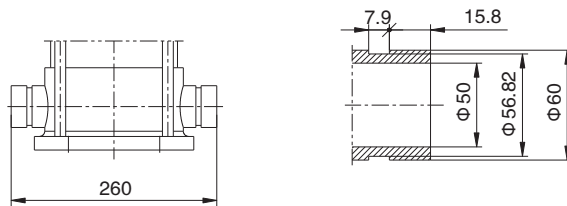
KQDQ50-20



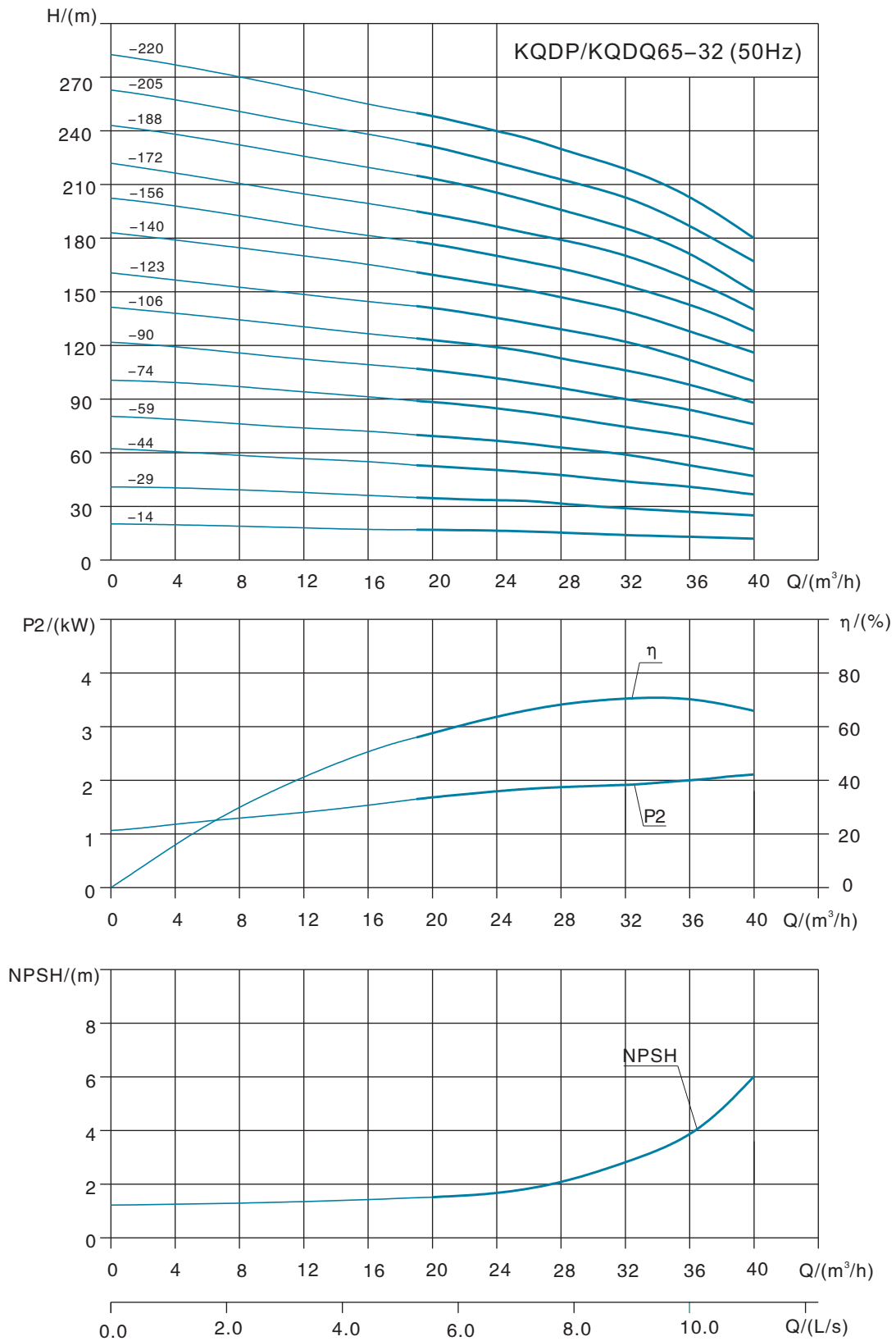
Dimensions of inlet and outlet flanges  
(standard configuration)  
GB/T17241.6-2008 PN2.5Mpa



Dimensions of inlet and outlet bayonet (optional)



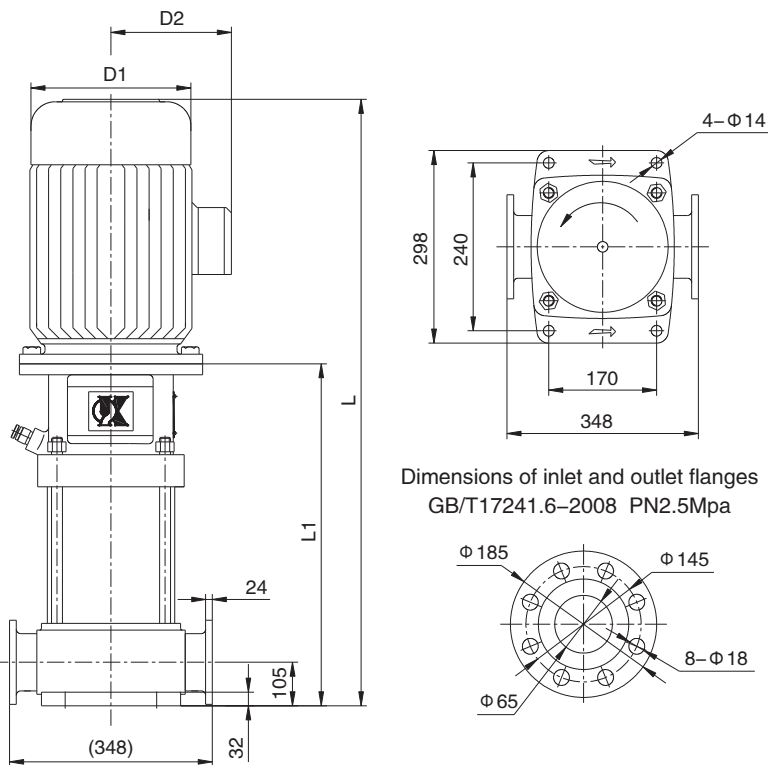
KQDQ50-20 Dimension table						
No.	Type	L1 (mm)	L (mm)	D1 (mm)	D2 (mm)	Weight (kg)
	Style					
1	50-20-28	423	748	191	128	58
2	50-20-43	468	823	212	140	66
3	50-20-58	543	973	258	163	88
4	50-20-74	588	1018			97
5	50-20-90	701	1199	314	251	133
6	50-20-105	746	1244			135
7	50-20-120	791	1289			141
8	50-20-135	836	1334			153
9	50-20-150	881	1379			155
10	50-20-165	926	1424			157
11	50-20-180	971	1513			168
12	50-20-195	1016	1558			170
13	50-20-210	1061	1603			172

**Performance curve**


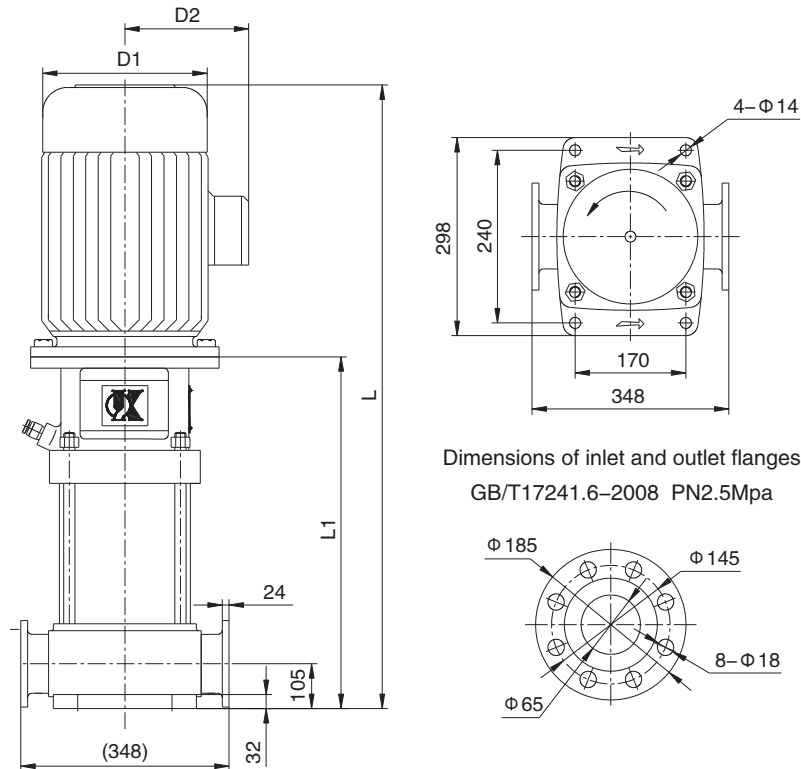
KQDP/KQDQ65-32 Performance table									
No.	Type	Motor power (kW)	Q (m <sup>3</sup> /h)	19	26	32	36	38	40
1	65-32-14	2.2	H (m)	17	16	14	13	12.5	12
2	65-32-29	4		35	33	29	27	26	25
3	65-32-44	7.5		53	49	44	41	39	37
4	65-32-59	11		70	65	59	53	50	47
5	65-32-74	11		89	82	74	69	65.5	62
6	65-32-90	15		107	99	90	84	80	76
7	65-32-106	15		124	115	106	98	93	88
8	65-32-123	18.5		142	132	123	112	106	100
9	65-32-140	18.5		161	150	140	128	122	116
10	65-32-156	22		178	166	156	143	136	128
11	65-32-172	22		195	185	172	157	149	140
12	65-32-188	30		215	202	188	172	161	150
13	65-32-205	30		233	219	205	187	177	167
14	65-32-220	30		250	235	220	203	192	180

Installation drawing

KQDP65-32



KQDP65-32 Dimension table						
No.	Type	L1	L	D1	D2	Weight (kg)
	Style	(mm)	(mm)	(mm)	(mm)	
1	65-32-14	413	713	166	115	80
2	65-32-29	467	822	212	140	99
3	65-32-44	601	1031	258	163	140
4	65-32-59	655	1210	314	251	169
5	65-32-74	799	1354			179
6	65-32-90	853	1408			204
7	65-32-106	907	1462			206
8	65-32-123	961	1516	397	299	224
9	65-32-140	1015	1570			228
10	65-32-156	1069	1647			272
11	65-32-172	1123	1701			276
12	65-32-188	1177	1846	446	322	339
13	65-32-205	1231	1900			344
14	65-32-220	1285	1954			365

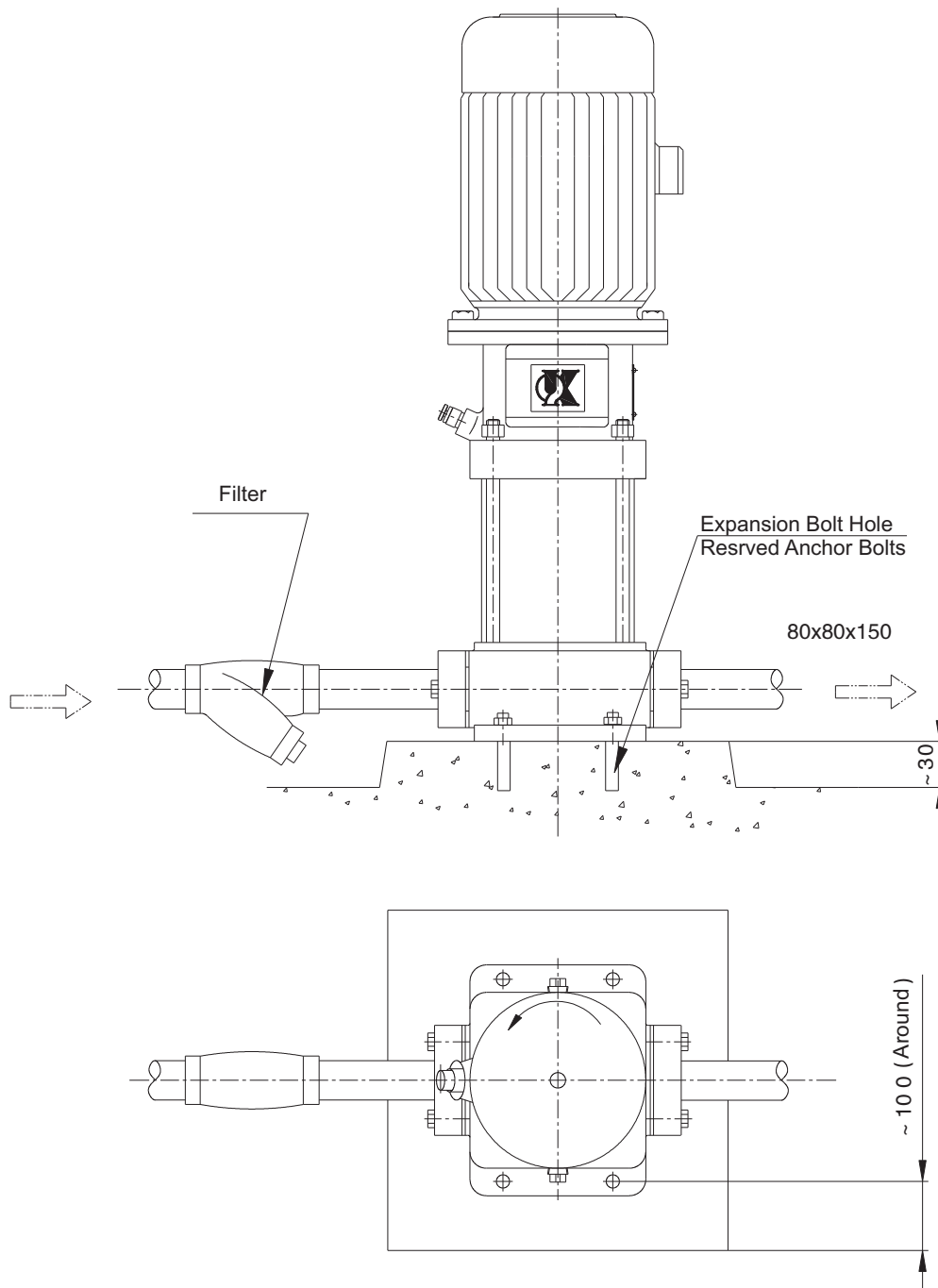
**Installation drawing**
**KQDQ65-32**


Dimensions of inlet and outlet flanges  
GB/T17241.6-2008 PN2.5Mpa

KQDQ65-32 Dimension table						
No.	Type	L1 (mm)	L (mm)	D1 (mm)	D2 (mm)	Weight (kg)
	Style					
1	65-32-14	414	714	166	115	80
2	65-32-29	468	823	212	140	99
3	65-32-44	602	1032	258	163	140
4	65-32-59	656	1211	314	251	169
5	65-32-74	800	1355			179
6	65-32-90	854	1409			204
7	65-32-106	908	1463			206
8	65-32-123	962	1517			224
9	65-32-140	1016	1571	397	299	228
10	65-32-156	1070	1648			272
11	65-32-172	1124	1702			276
12	65-32-188	1178	1847	446	322	339
13	65-32-205	1232	1901			344
14	65-32-220	1286	1955			365

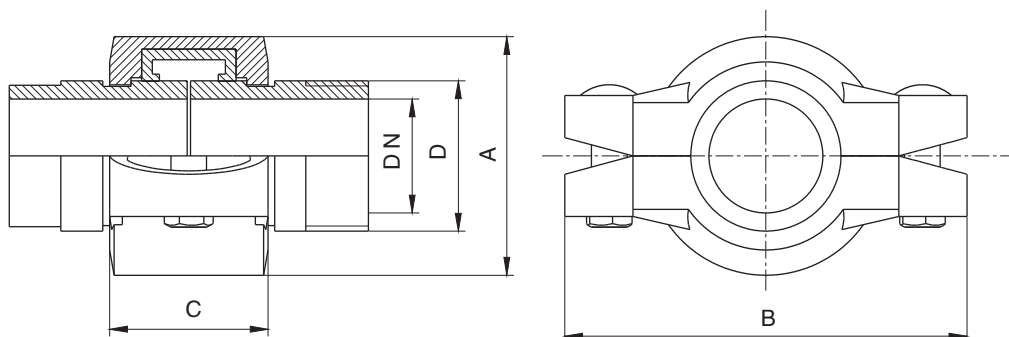
Basic size installation

KQDP、KQDQ Installation drawing

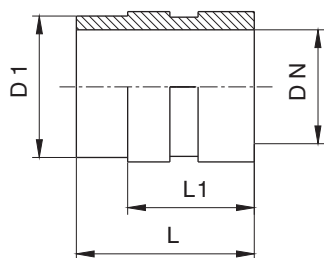


**Optional Attachment:**
**Flexible tube card**

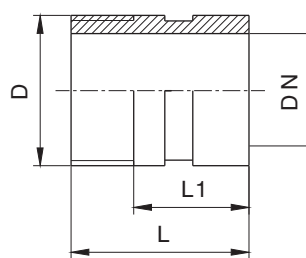
The relative dislocation and angle deviation are allowed, and the gap between the two ends can be adapted to the expansion and contraction of the pipeline.



Steel tube		Pressure MPa	Allow maximum deflection angle	Shape Size mm		
Caliber DN	Outer diameter D mm			A	B	C
1 1/4"	42.2	3.5	3°	67	113	44.5
1 1/2"	48.3	3.5	3°	79	114	44.5
2"	60.3	3.5	3°	89	130	48

**Welding joint**


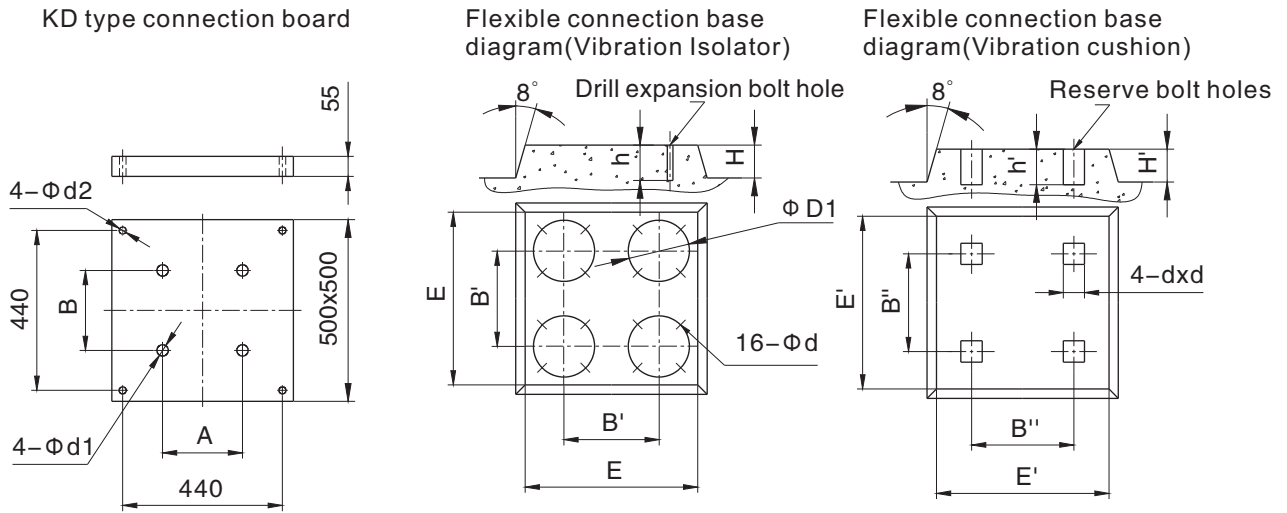
Caliber DN	D1	L	L1
1 1/4"	38	40	30
1 1/2"	45	40	32
2"	57	45	35

**Thread pipe joint**


Caliber DN	D1	L	L1
1 1/4"	ZG1 1/4"	53	30
1 1/2"	ZG1 1/2"	55	32
2"	ZG2"	58	35

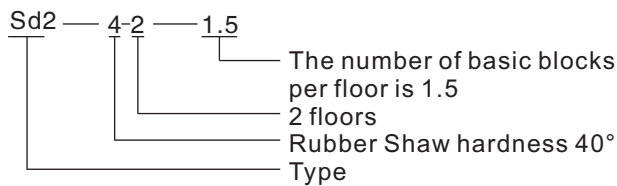


### Flexible Installation Foundation Size Chart



KD type connection board size					Flexible connection base diagram (Vibration Isolator)						Flexible connection base diagram (Vibration cushion)				
型号	A	B	Φd1	Φd2	H	E	B'	D1	Φd	h	H'	E'	B''	dxd	h'
KD-1/KQDP32	100	180	13	14	150	750	440	Vibration Isolator ΦD1	14	100	150	750	440	90	250
KD-1/KQDP40	130	215	13	14											
KD-1/KQDP50	130	215	13	17.5											
KD-1/KQDP65	170	240	14	17.5											

Example

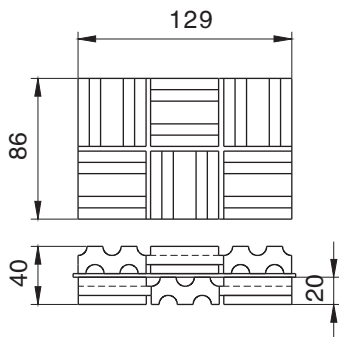


Type Description

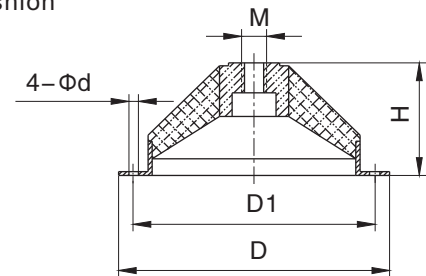
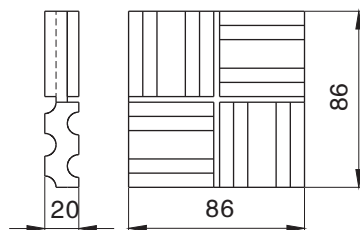
Rubber hardness in type; 4 acts for 40°、6 acts for 60°、8 acts for 80°。

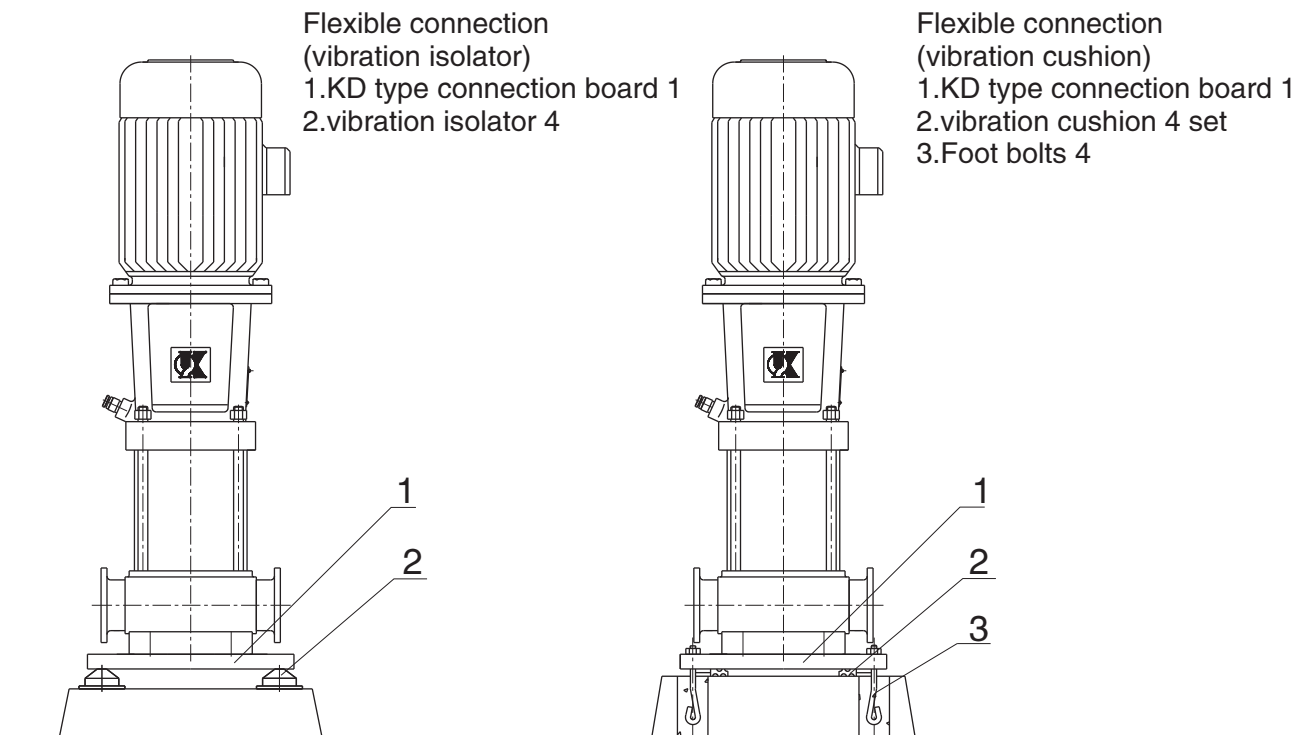
JG type vibration Isolator mounting dimensions

Type	M	D	D1	H	d
JG1-1 JG1-2	10	100	80	43	8.5
JG2-1 JG2-2	12	150	130	65	8.5
JG3-1 JG3-2	16	200	170	87	12.5
JG4-1 JG4-2	20	290	260	133	12.5



Basic block size of SD2 Vibration cushion





KQDP(Q) Vibration Isolator configuration table						
Type	Head	KD type connection board	vibration isolator	vibration cushion	foot bolts	
KQDP (Q) 32-4	17~92	KD-1/KQDP32	JG2-1	SD2-4-1-0.5	M10x150 4	
	101~217		JG2-2	SD2-6-1-0.5		
KQDP (Q) 32-5	12~73		JG2-1	SD2-4-1-0.5		
	81~212		JG2-2	SD2-6-1-0.5		
KQDP (Q) 40-8	23~176		KD-1/KQDP40	JG2-2		SD2-6-1-0.5
KQDP (Q) 40-10	21~166					
KQDP (Q) 50-12	25~94					
KQDP (Q) 50-15	29~102					
KQDP (Q) 50-16	28~100					
KQDP (Q) 50-20	28~74					
KQDP (Q) 40-8	188~236	KD-1/KQDP50	JG3-1	SD2-6-1-1		
KQDP (Q) 40-10	178~226					
KQDP (Q) 50-12	107~196					
KQDP (Q) 50-15	117~212					
KQDP (Q) 50-16	115~206					
KQDP (Q) 50-20	90~195					
KQDP (Q) 65-32	14~106	KD-1/KQDP65	JG3-1	SD2-6-1-1	M12x200 4	
	123~220		JG3-2	SD2-6-1-1.5		



Where there is Kaiquan, there is water



SHANGHAI KAIQUAN PUMP (GROUP) CO., LTD.

Address: No. 4255/4287 Caoan Road. Shanghai

Group Call Center: 400-002-6600

[www.kaiquan.com.cn](http://www.kaiquan.com.cn)

